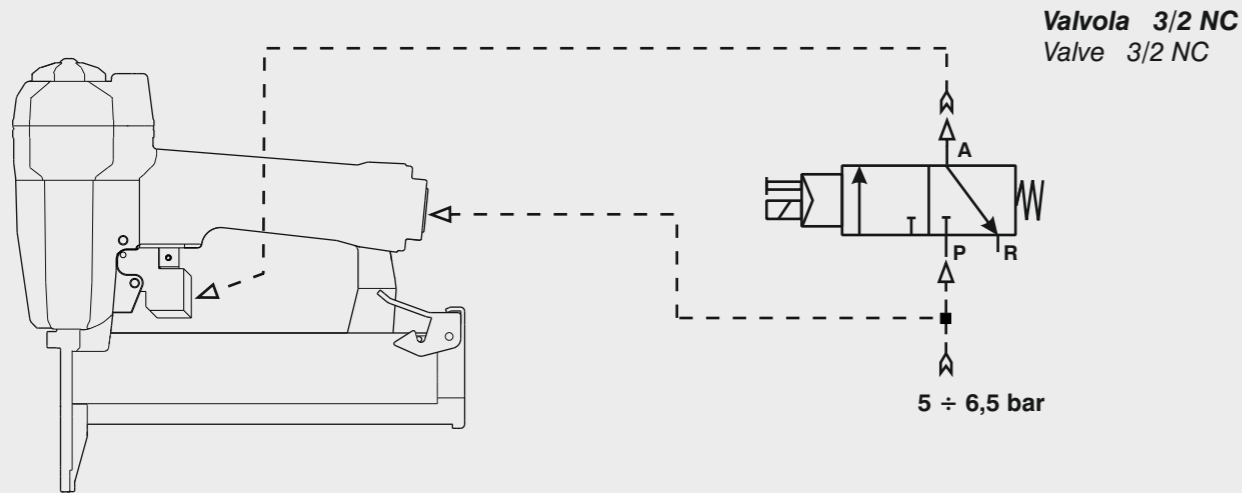
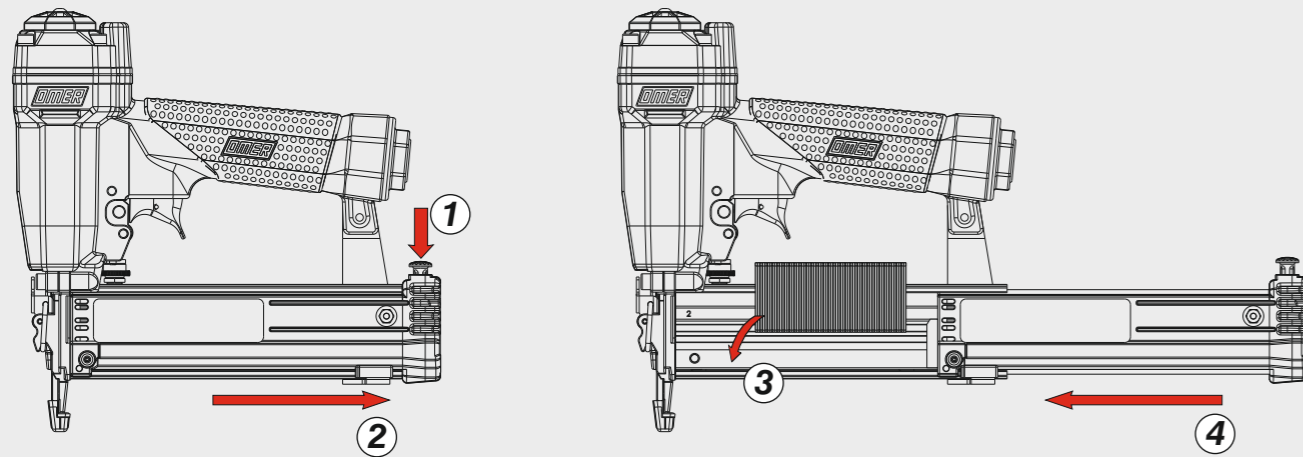


Schema di collegamento - Connecting diagram

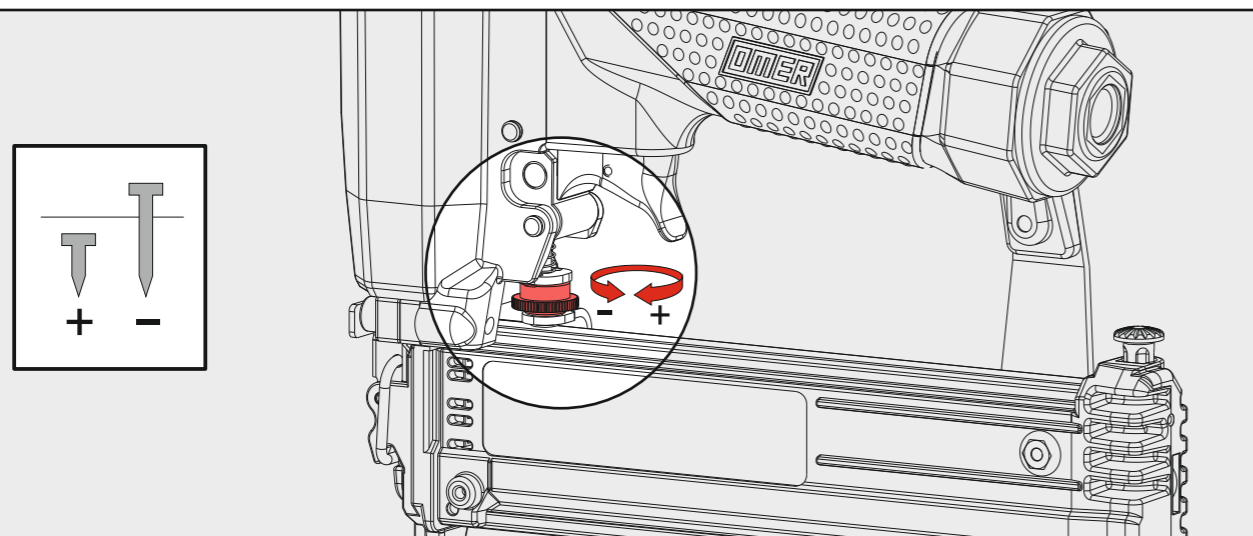


Caricamento - Loading

Caricamento dal fianco Side load magazine



Regolazione di profondità - Depth adjustment



OMER

Manuale d'uso, manutenzione e parti di ricambio
Use, maintenance and spare parts manual
Gebrauchsanweisung, Instandhaltungsrichtlinien und Ersatzteile
Manuel d'utilisation, entretien et pièces de rechange
Manual de uso, mantenimiento y repuestos
Εγχειρίδιο χρήσης, συντήρησης και ανταλλακτικών
Manual de utilização, manutenção e partes sobresselentes
Handleiding voor gebruik, onderhoud en wisselstukken
Brugsanvisning, vedligeholdelse og reservedelsliste

Parte 2
Part 2
Teil 2
Partie 2
Part 2
2^ο Μέρος
Parte 2
Deel 2
Del 2



12.40-52

cod. 1221200-52

1221200-52_1240-52_2 180220 IV



Dati tecnici Technical data Technische daten	Données techniques Datos técnicos Τεχνικά χαρακτηριστικά	Dados técnicos Technischegegevens Teknische data
--	--	--

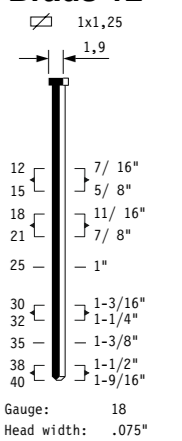
Misure impiegabili mm Usable lengths mm Gebrauchliche Längen mm	Mesures utilisables mm Medidas que se pueden emplear mm Διαστάσεις σε μμ	Medidas que se podem utilizar mm Te gebruiken engtes in mm Brugbare lengdes in mm	12 ÷ 40
Capacità caricatore n° punti Magazine capacity No. of fasteners Magazinkapazität Nägel	Capacité chargeur n° de points Capacidad cargador n° puntos Δυνατότητα γεμιστέρα, σπώνδερες	Capacidade carregador n° pontos Capaciteit magazijn in aantal spijkers Kapacitet af magasin antal klemme	100
Pressione d'esercizio Working pressure Betriebsdruck	Pression de fonctionnement Presión de trabajo Πίεση λειτουργίας ατμ.	Pressao de trabalho Werkdruk Arbejds tryk bar	5 ÷ 7,5 bar 70 ÷ 105 psi
Consumo aria litri/colpo Air consumption litres/shot Luftverbrauch Liter/Schlag	Consommation air litre/coup Consumo aire-litros/golpe Κατανοση αερα λ/ξτσημα	Consumo ar litro/golpe Luchtverbruik liter/schot Luftforbrug liter/skud	0,34
Peso kg Weight kg Gewicht kg	Poids kg Peso kg Βαρος κγ	Peso kg Gewicht in kg Vaegt kg	1,15
Dimensioni (AxBxH) mm Dimensions mm Größe mm	Dimension mm Dimensiones mm Δυνατότητα γεμιστέρα, σπώνδερες	Dimencoes mm Afmetingen in mm Dimensioner mm	226x50x223

EN 12549 :1999 ISO 3744 :1994

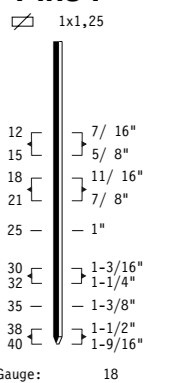
Potenza sonora emessa Emitted sound power Ausgestrahlte Lärmintensität	Puissance acoustique émise Potencia sonora emitida Ακουστική πίεση στη θέση χειριστου	Potência sonora emitida Uitgestraalde geluidssterkte Udsendt lydstryrke	$L_{WA,1s}$ (Rif. 1pW) 88,5 dB(A)
---	---	---	--

Tipo di punto
Type of fastener
Befestigungselement
Type d'agrafe
Τύπος καρφιού
Tipo de ponto
Type nietjes
Tilspændingstype

Brads 12



Pins I

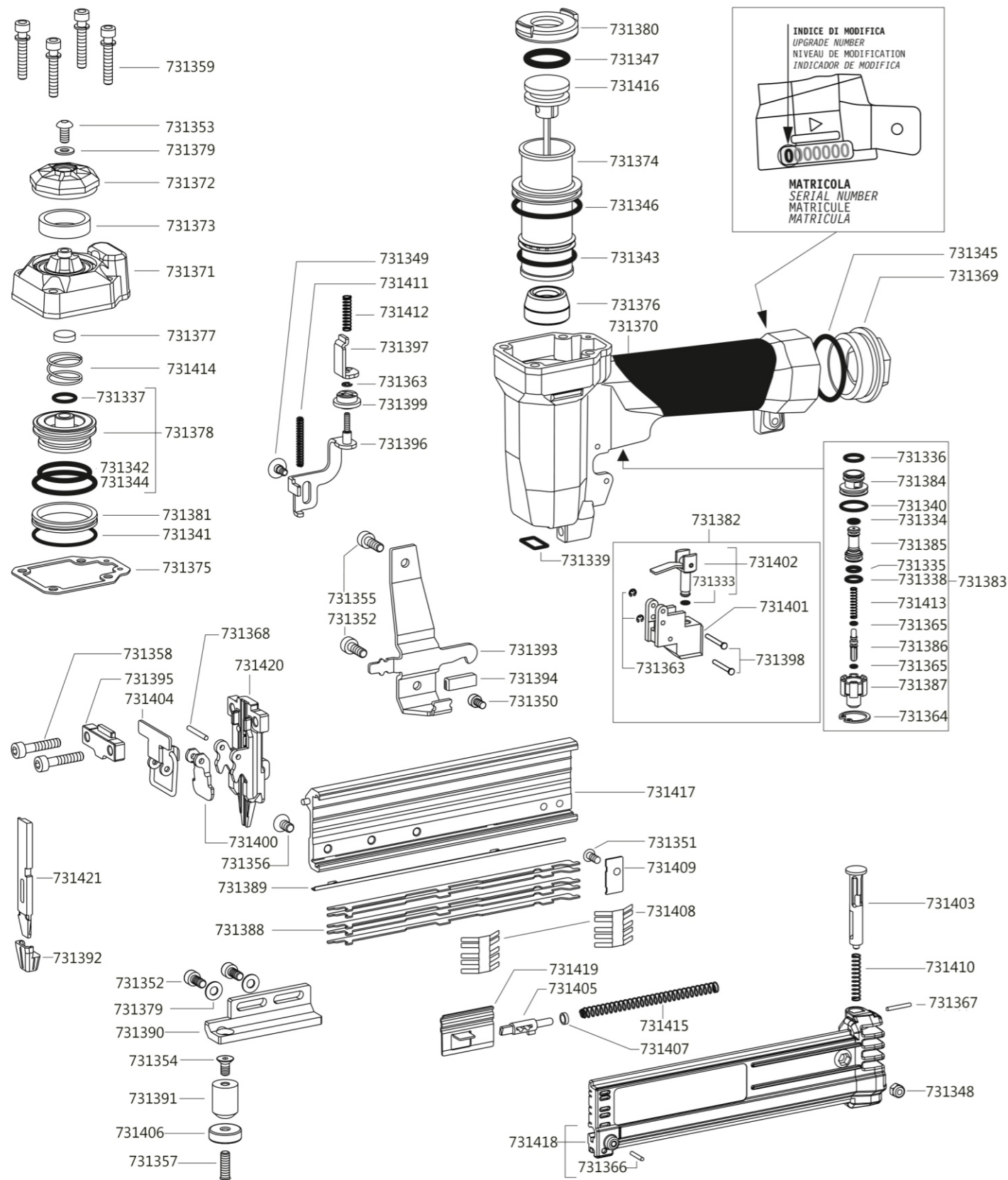


**DO NOT
HANDHELD
THIS TOOL**

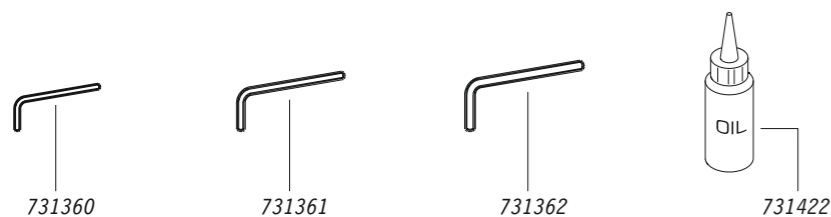


Minit N.V. Industrielaan 25, industriezone III, 9320 Erembodegem - AALST, Belgium

Parti di ricambio - Spare parts - Ersatzteile - Pièces de rechange - Piezas de repuesto
Ανταλλακτικά - Partes sobresselentes - Wisselstukken - Reservedele



Dotazioni - Equipment - Ausrüstung - Équipements - Equipamiento - Παρεχόμενα
Equipamento - Uitrusting - Udstyr



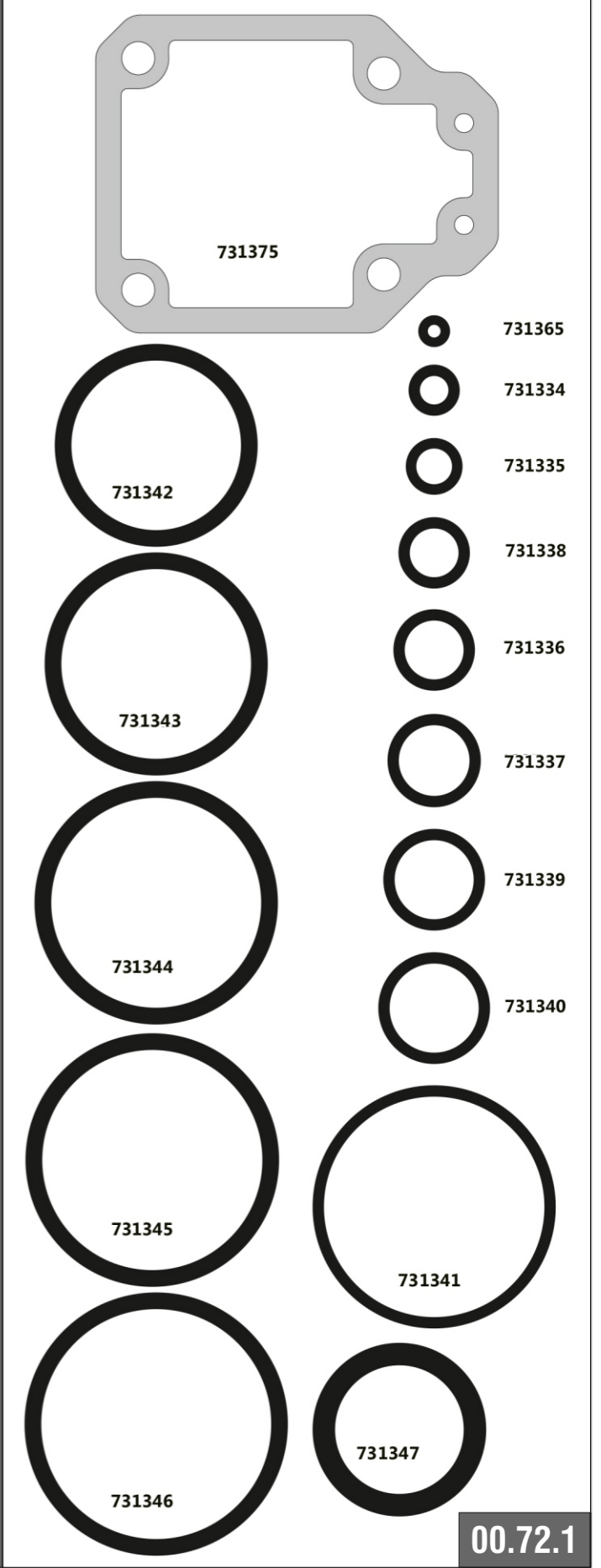
12.40-52

cod. 1221200-52

Parti di ricambio - Spare parts - Ersatzteile - Pièces de rechange - Piezas de repuesto
Ανταλλακτικά - Partes sobresselentes - Wisselstukken - Reservedele

Code Minit	Code OMER	Description
731333	00.07	O-Ring
731334	00.08	O-Ring
731335	00.09	O-Ring
731336	00.12	O-Ring
731337	00.14	O-Ring
731338	00.15	O-Ring
731339	00.16	O-Ring
731340	00.18	O-Ring
731341	00.38	O-Ring
731342	01.32	O-Ring
731343	01.35	O-Ring
731344	01.38	O-Ring
731345	01.40	O-Ring
731346	01.41	O-Ring
731347	02.28	O-Ring
731348	04.00	Nut
731349	04.06.5	Screw
731350	04.08	Screw
731351	04.10.1	Screw
731352	05.10	Screw
731353	05.10.1	Screw
731354	05.10.2	Screw
731355	05.12	Screw
731356	05.12.2	Screw
731357	05.16.5	Screw
731358	05.25	Screw
731359	05.30	Screw
731360	07.25	Hex. bar wrench
731361	07.30	Hex. bar wrench
731362	07.40	Hex. bar wrench
731363	09.02	Elastic ring
731364	09.18	Elastic ring
731365	10.55	O-Ring
731366	13.12.1	Pin
731367	12.16.1	Pin
731368	13.22.2	Pin
731369	17.28	Inlet cap
731370	21.27	Body
731371	22.21	Head
731372	25.40	Exhaust deflector
731373	25.41	Silencer
731374	26.21	Cylinder
731375	28.20	Head gasket
731376	32.22	Bumper
731377	39.40	Exhaust seal
731378	40.22	Valve ass'y
731379	43.11	Washer
731380	44.22	Gasket
731381	45.20	Ring
731382	50.25.8	Remote control
731383	50.41	Trigger valve ass'y
731384	51.41	Trigger valve housing
731385	53.41	Valve piston
731386	54.41	Trigger valve
731387	55.41	Bush
731388	59.21	Spacer
731389	59.22	Sliding guide
731390	69.10	Spacer
731391	69.10.1	Spacer
731392	70.40	Contact tip
731393	71.22	Support
731394	72.22	Slider-stop
731395	74.40.1	Nose guide
731396	75.43	Safety
731397	75.43.1	Contact arm
731398	76.05	Pin
731399	76.25	Adjusting wheel
731400	77.42	Safety nose plate
731401	77.24.8	Safety guide
731402	81.26	Piston
731403	80.41	Trigger
731404	80.42	Nose plate lock
731405	87.22.1	Spring bearing
731406	87.28	Bearing
731407	87.42	Signal washer
731408	90.20	Spring
731409	90.21	Spacer holder
731410	91.02	Spring
731411	91.41	Spring
731412	91.42	Spring
731413	91.73	Spring
731414	92.01X	Spring
731415	93.44	Spring
731416	22.20.22	Driver
731417	52.21.22	Magazine
731418	63.20.22	Slider
731419	72.20.22	Pusher
731420	82.20.22	Nose
731421	92.20.22	Nose plate
731422	D01	Oiler

Guarnizioni - O-Rings - Dichtungen - Joints - Kit O-rings - Λαστιχακια - Kit O-rings - Pakninger



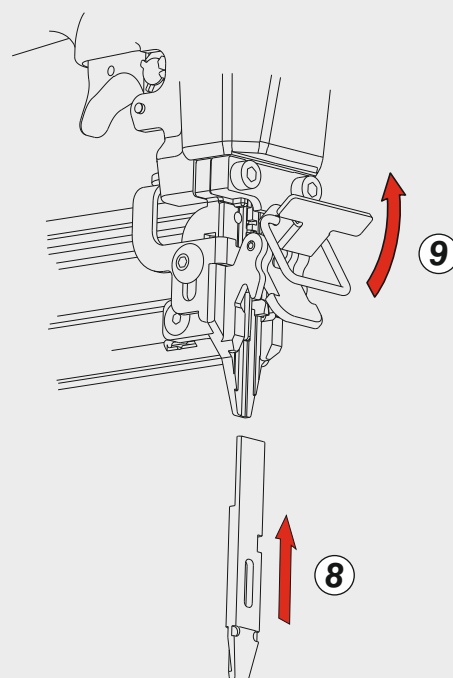
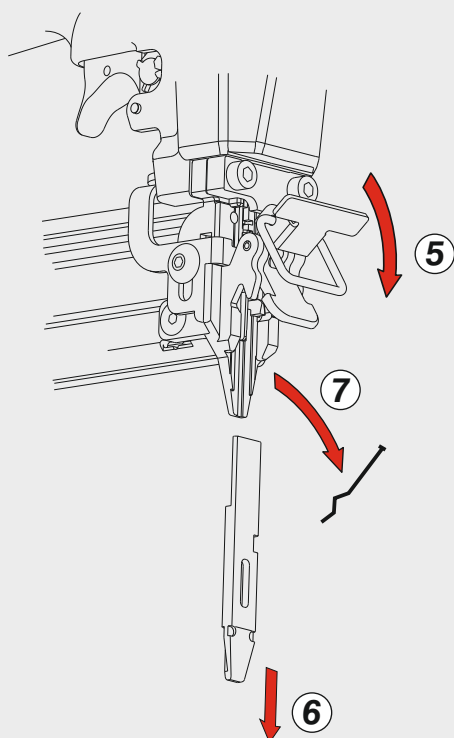
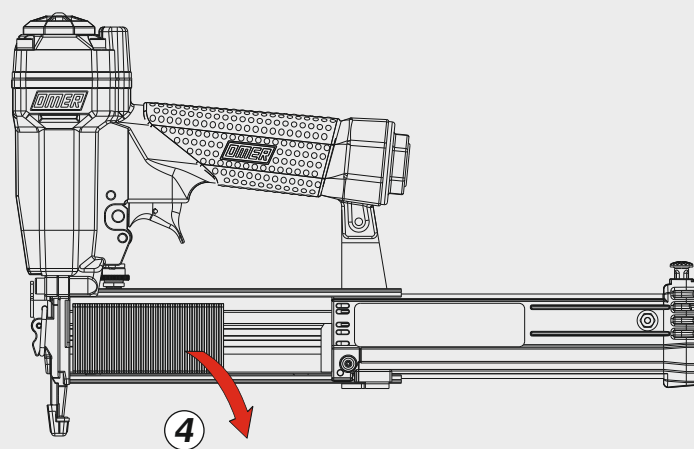
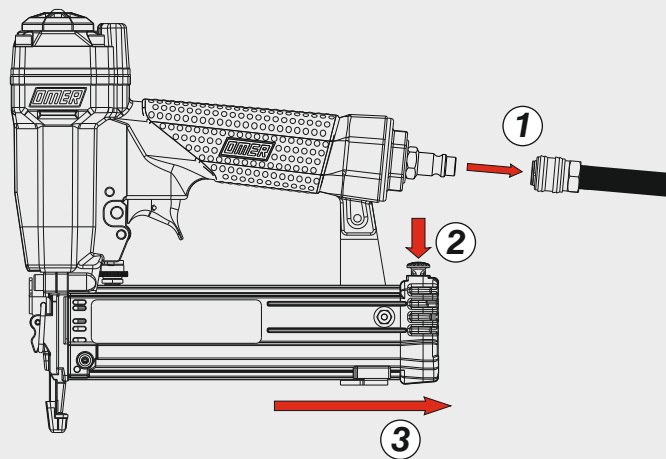
00.72.1

Indice di modifica Upgrade number **2**

cod. 1221200-52

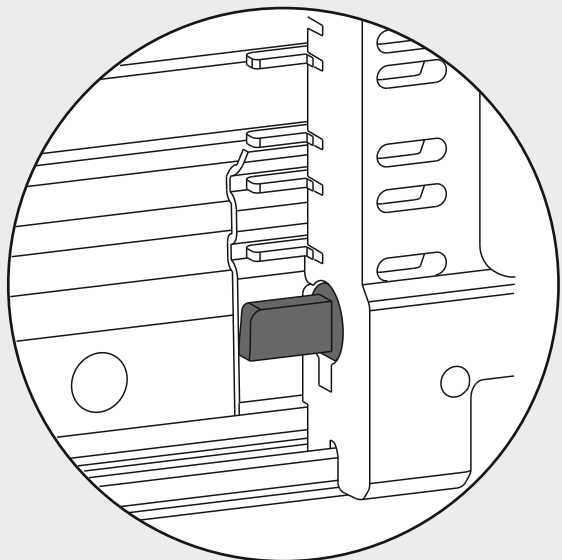
12.40-52

Disinceppamento - Jam clearing

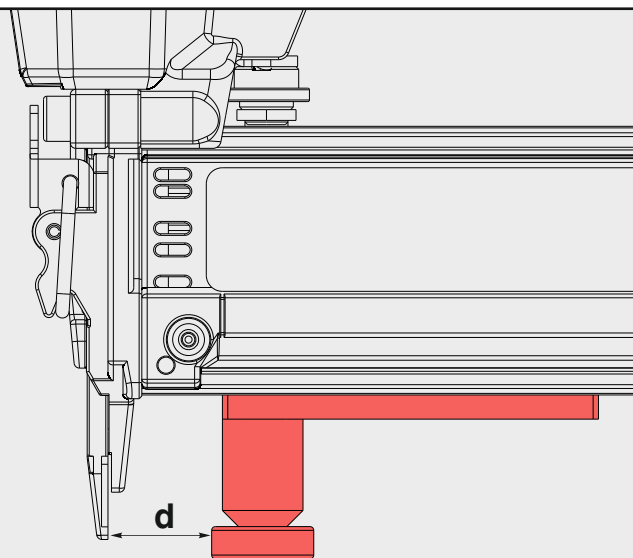
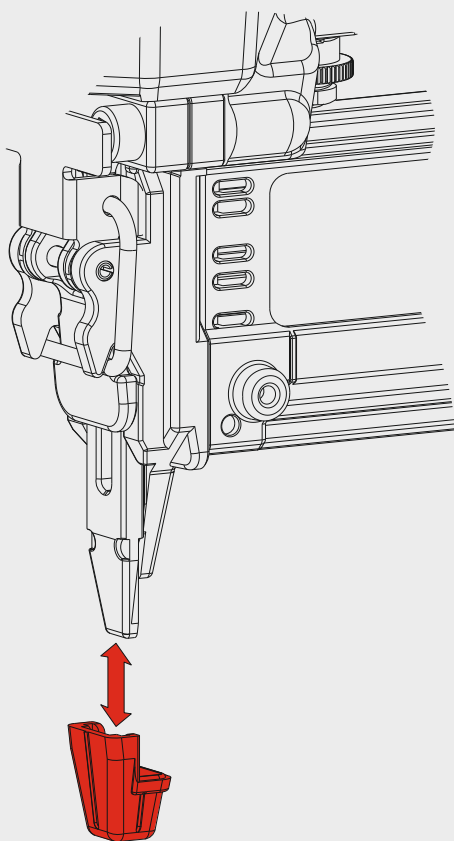
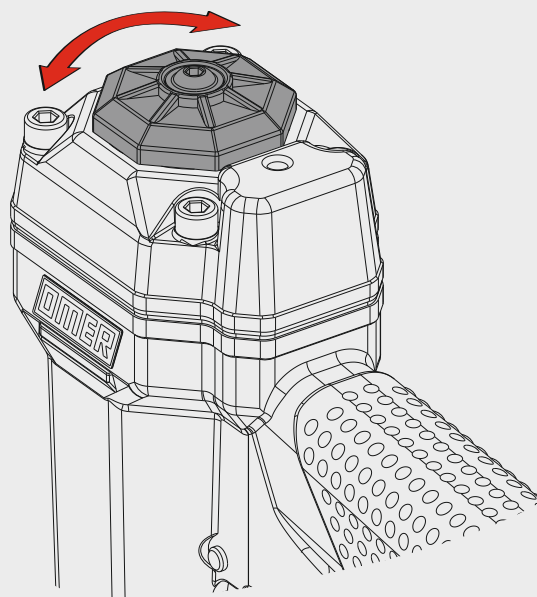


Caratteristiche - Features

Dispositivo di blocco sparo a fine punti
Stop firing device on empty magazine



Scarico orientabile a 360°
360° adjustable exhaust



d : min 3,5 mm
max 18,5 mm