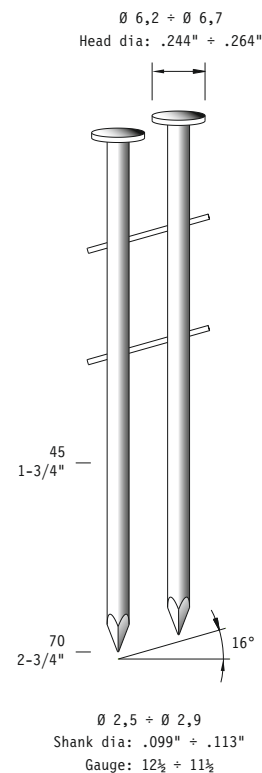
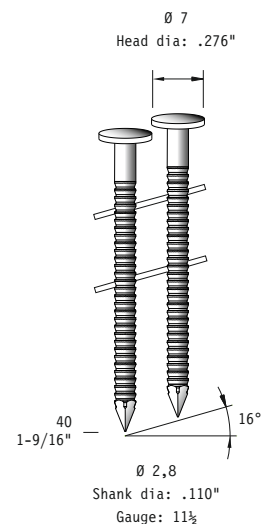


**CNW25**

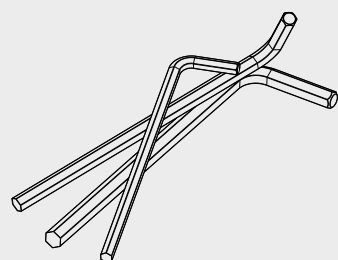
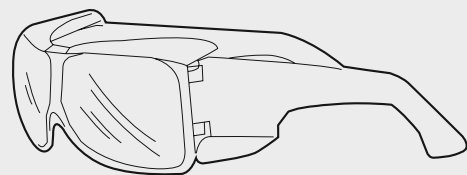
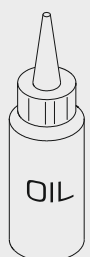
**CNW28**



**CNWE28**

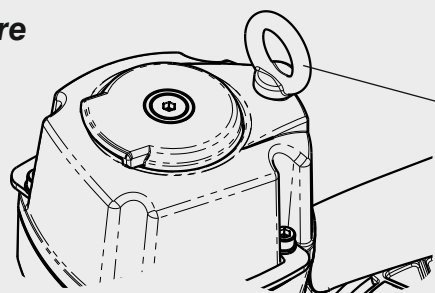


**Dotazioni - Equipment - Ausstattung - Outillage - Dotaciones - Εξοπλισμός**  
**Dotações - Uitrusting - Donanımlar - Utrustning**



**Accessori a richiesta - Upon request accessories**

**Supporto bilanciata**  
**Tool hanger**



<b>Manuale d'uso, manutenzione e parti di ricambio</b>	<b>Parte 2</b>
<b>Manual for use, maintenance and spare parts</b>	<b>Part 2</b>
<b>Bedienungs- und Wartungshandbuch sowie Ersatzteilleiste</b>	<b>Teil 2</b>
<b>Mode d'emploi, de maintenance et pièces de rechange</b>	<b>Partie 2</b>
<b>Manual de uso, mantenimiento y recambios</b>	<b>Part 2</b>
<b>Εγχειρίδιο χρήσης, συντήρησης και ανταλλακτικών</b>	<b>Μέρος 2</b>
<b>Manual de uso, manutenção e peças sobresselentes</b>	<b>Parte 2</b>
<b>Handleiding voor gebruik, onderhoud en wisselstukken</b>	<b>Deel 2</b>
<b>Kullanım, bakım ve yedek parça kılavuzu</b>	<b>Kısım 2</b>
<b>Användar-, underhålls- och reservdelshandbok</b>	<b>Del 2</b>



**CN29.70**

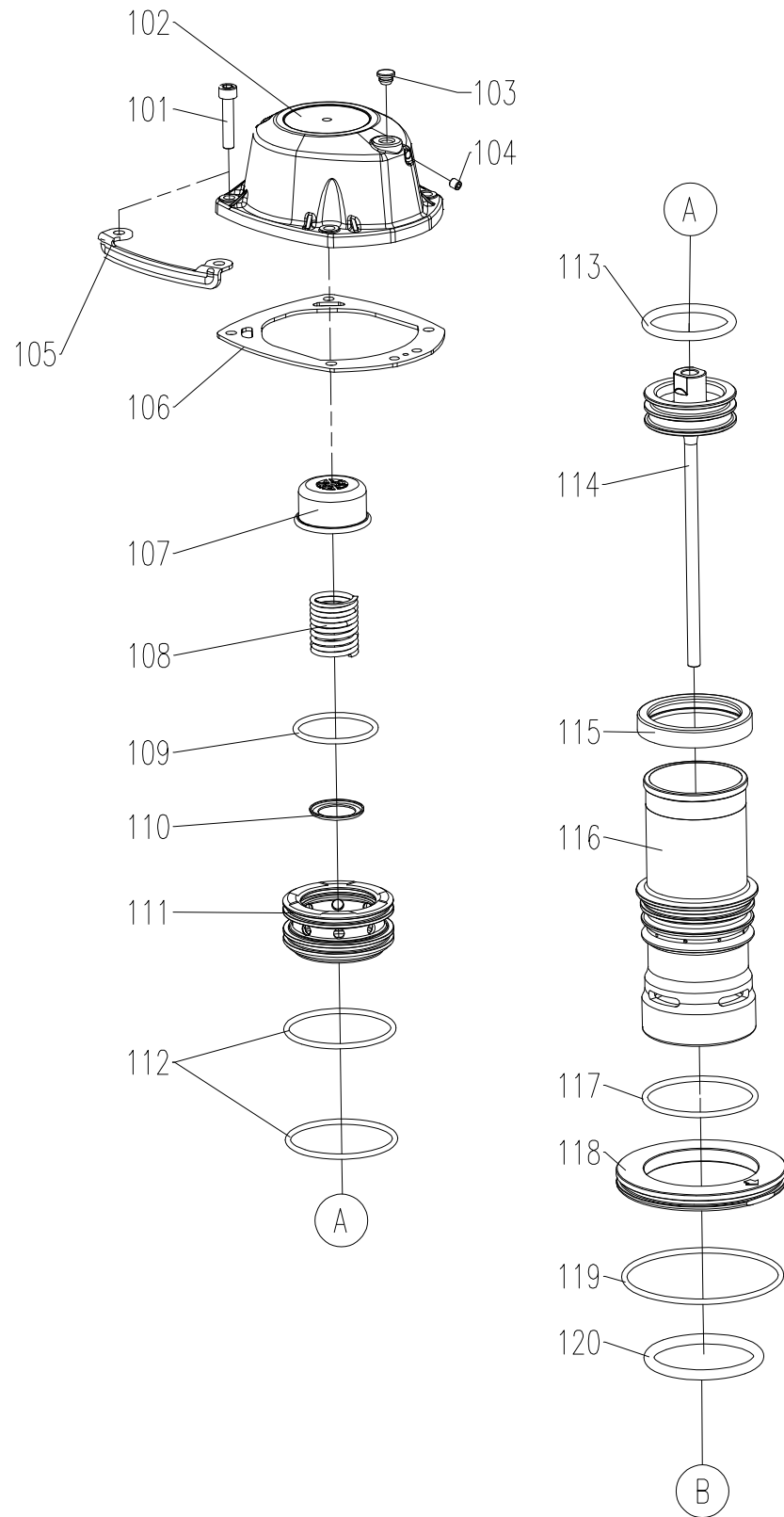
cod. 195MCN2970



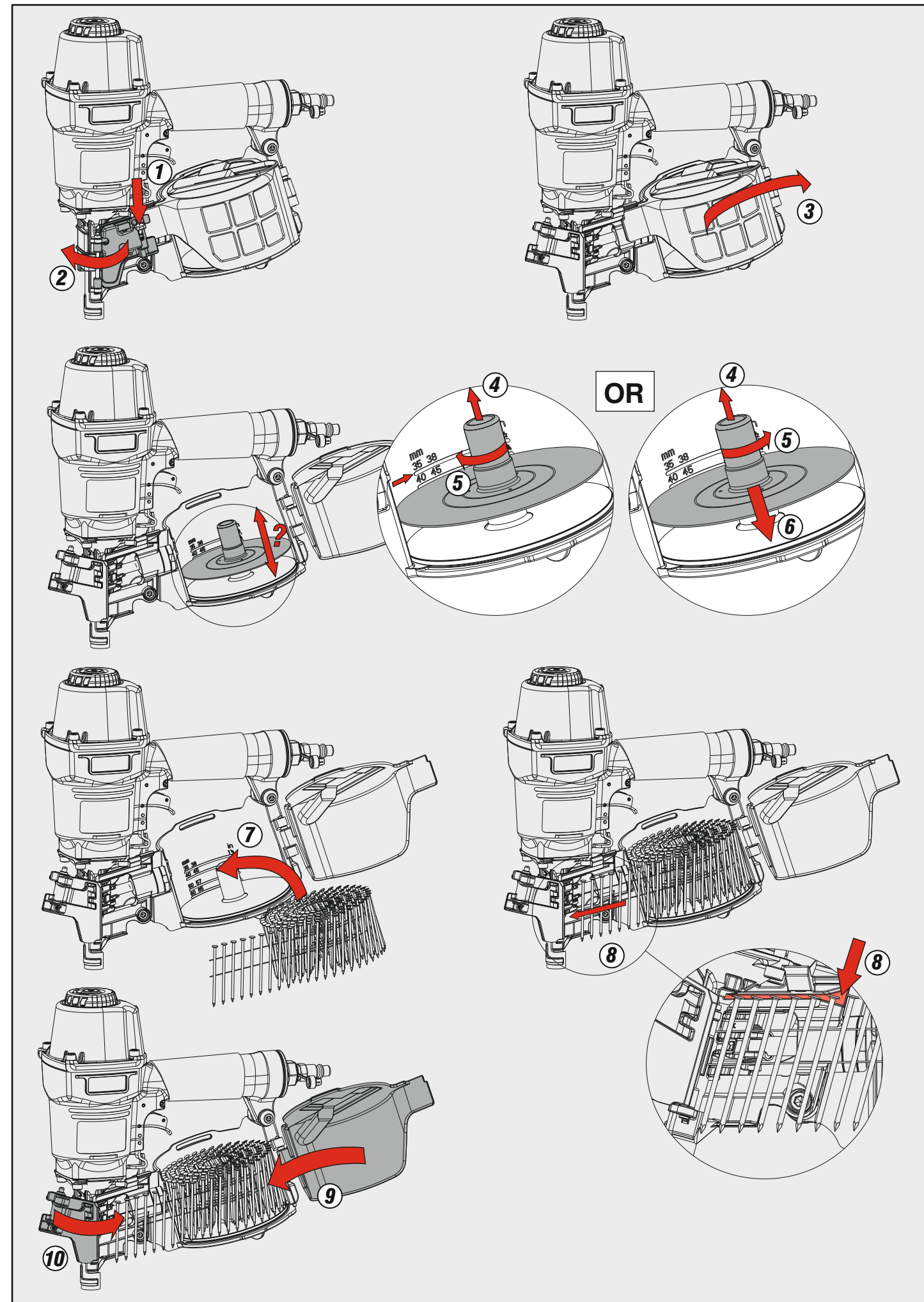
**Warning: Please read the instructions and warnings for this tool carefully before use. Failure to do so could lead to serious injury.**

<b>Dati tecnici</b> Technical data Technische Daten Tekniska data	<b>Caractéristiques techniques</b> Datos técnicos Τεχνικά χαρακτηριστικά	<b>Dados técnicos</b> Technische gegevens Teknik veriler		
<b>Misure impiegabili</b> Lengths Verwendbare Nagellänge Dimensioner som kan användas	<b>Dimensions utiles</b> Medidas de longitud Μήκος Αναλωσίμου	<b>Medidas utilizáveis</b> Toepasbare afmetingen Boy	<b>mm</b> <b>inch</b>	<b>40+70</b> <b>1-1/4" + 2-9/16"</b>
<b>Capacità caricatore n° punti</b> Magazine capacity Magazinkapazität: Nägel Magasinkapacitet: Antal punkter	<b>Capacité chargeur n° de points</b> Capacidad cargador n° puntos Δυνατότητα γεμιστέρα	<b>Capacidade carregador n° pontos</b> Capaciteit magazijn in aantal spijkers Dergi kapasitesi		<b>225+300</b>
<b>Pressione d'esercizio</b> Operating pressure Betriebsdruck Drifttryck	<b>Pression d'exercice</b> Presión de servicio Πίεση λειτουργίας	<b>Pressão de serviço</b> Werkdruk Çalışma basıncı	<b>bar</b> <b>psi</b>	<b>5+8</b> <b>70+115</b>
<b>Consumo aria</b> Air consumption Luftverbrauch Luftförbrukning	<b>Consommation d'air</b> Consumo aire Κατανάλωση αέρα	<b>Consumo ar</b> Luchtverbruik Hava tüketimi	<b>lt/colpo</b> <b>ft³/cycle</b>	<b>2,69</b> <b>0,095</b>
<b>Peso</b> Weight Gewicht Vikt	<b>Poids</b> Peso Βάρος	<b>Peso</b> Gewicht Ağırlık	<b>kg</b> <b>lbs</b>	<b>3,60</b> <b>7,90</b>
<b>Dimensioni</b> Dimensions Abmessungen Dimensioner (AxBxH)	<b>Dimensions</b> Dimensiones Διαστάσεις	<b>Dimensões</b> Afmetingen Boyutlar	<b>mm</b> <b>inch</b>	<b>350x129x316</b> <b>13-3/4"x5-1/16"x12-7/16"</b>  (LxWxH)
<b>EN 12549 :2009 EN ISO 4871 :2009</b> <b>Pressione sonora in pos. operatore</b> Sound pressure in operator's position Schalldruck am Arbeitsplatz Ljudtryck på operatörsplatsen	<b>Pression sonore poste Opérateur</b> Presión sonora en la pos. del operador Ηχητική πίεση στη θέση του χειριστή	<b>Pressão sonora na posição Operador</b> Geluidsdruk op de werkplaats Operatör pozisyonunda ses basıncı	<b>dB(A)</b>	<b>99,2</b>  (K= 4 dB)
<b>EN 12549 :2009 EN ISO 3746 :2011 EN ISO 4871 :2009</b> <b>Potenza sonora emessa</b> Sound power emitted Emitierte Schalleistung Avgiven ljudeffekt	<b>Puissance sonore émise</b> Potencia sonora emitida Εκπεμπόμενη ηχητική ισχύς	<b>Potência sonora emitida</b> Geëmitteerd geluidsvermogen Çıkan ses gücü (ses desibel)	<b>dB(A)</b>	<b>105,1</b>  (K= 4 dB)
<b>CEN ISO/TS 8662-11 :2006 EN ISO 5349-2 :2004 EN 12096 :1999</b> <b>Emissione vibratoria sull'impugnatura</b> Vibratory emissions on handle Vibraciónsemission am Griff Vibrationsemission på handtaget	<b>Émission vibratoire sur la prise en main</b> Emisión de vibraciones en la empuñadura Εκπεμπόμενες δονήσεις στη λαβή	<b>Emissão vibratória na empunhadura</b> Trillingsemissie op de handgreep Tutamak üzerinde vibrasyon emisyonları	<b>m/s²</b>	<b>4,78</b>  (K= 2 m/s²)

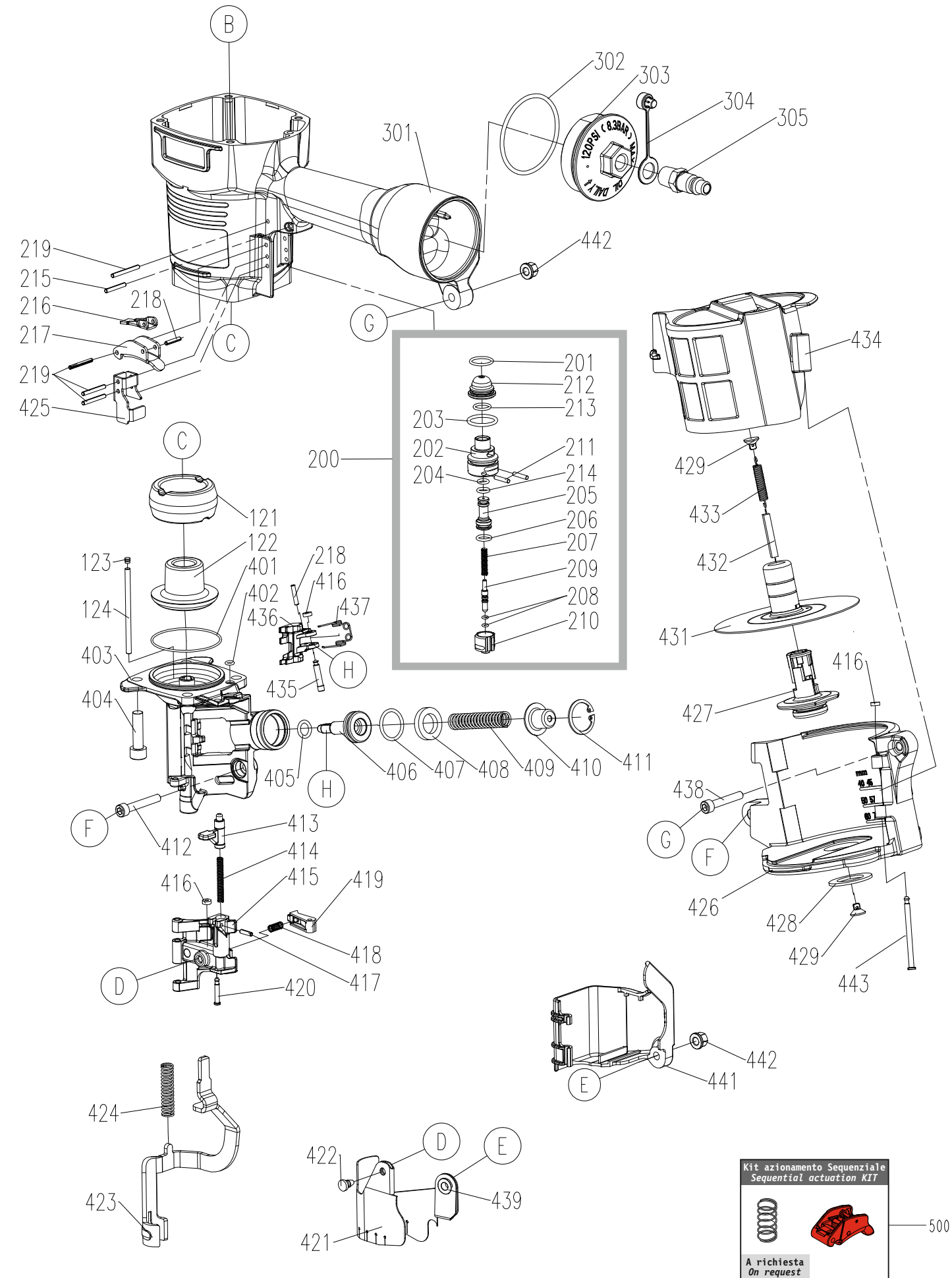
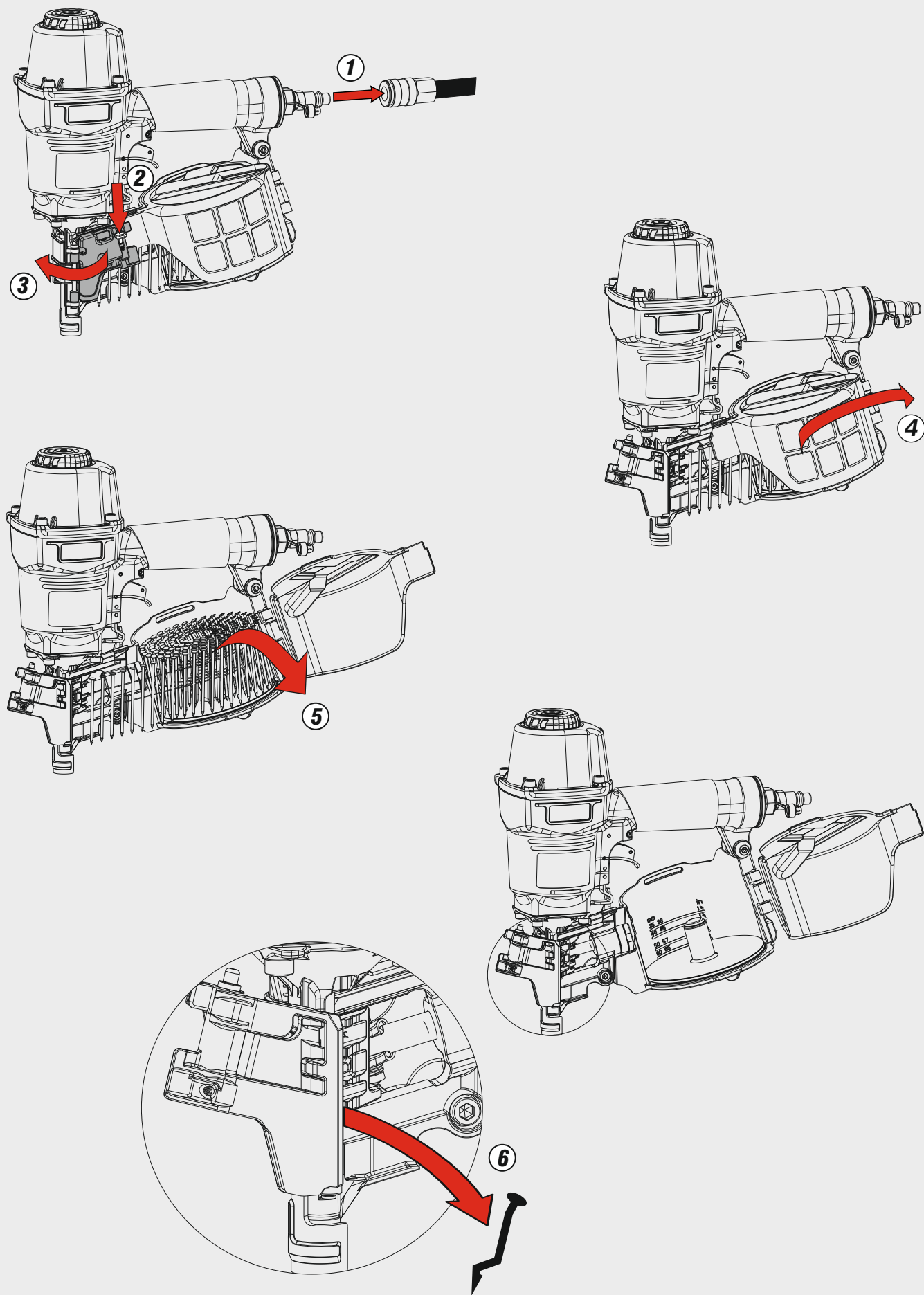
101	2MCN2970-A101	Hex. Soc. Hd. Bolt
102	2MCN2970-A102	Cap
103	2MCN2970-A103	Grommet
104	2MCN2970-A104	Hex. Soc. Hd. Screw
105	2MCN2970-A105	Guide Cover
106	2MCN2970-A106	Cylinder Cap Seal
107	2MCN2970-A107	Seal
108	2MCN2970-A108	Compression Spring
109	2MCN2970-A109	O-Ring
110	2MCN2970-A110	Washer
111	2MCN2970-A111	Hd. Valve Piston
112	2MCN2970-A112	O-Ring
113	2MCN2970-A113	O-Ring
114	2MCN2970-A114	Driver Unit
115	2MCN2970-A115	Collar
116	2MCN2970-A116	Cylinder
117	2MCN2970-A117	O-Ring
118	2MCN2970-A118	Cylinder Spacer
119	2MCN2970-A119	O-Ring
120	2MCN2970-A120	O-Ring
121	2MCN2970-A121	Bumper-A
122	2MCN2970-A122	Bumper-B
123	2MCN2970-A123	Grommet A
124	2MCN2970-A124	Door Shaft Pin
200	2MCN2970-A200	Trigger Valve Unit
201	2MCN2970-A201	O-Ring
202	2MCN2970-A202	Plunger Cap
203	2MCN2970-A203	O-Ring
204	2MCN3165-A205	O-Ring
205	2MCN2970-A205	Valve Plunger
206	2MCN3165-A206	O-Ring
207	2MCN2970-A207	Spring
208	2MCN2970-A208	O-Ring
209	2MCN2357-A209	Plunger
210	2MCN2970-A210	Trigger Valve Head
211	2MCN2970-A211	Pin
212	2MCN2970-A212	Cover-Plunger
213	2MCN2970-A213	O-Ring
214	2MCN2970-A214	O-Ring
215	2MCN2970-A215	Spring Pin
216	2MCN2970-A216	Secondary Trigger
217	2MCN2970-A217	Trigger
218	2MCN3165-A216	Spring Pin
219	2MCN2970-A219	Spring Pin
301	2MCN2970-A301	Gun Body Unit
302	2MCN2970-A302	O-Ring
303	2MCN2970-A303	End Cap
304	2MCN3165-A304	Dusty Cover
305	2MCN3165-A305	Air Plug
401	2MCN2970-A401	O-Ring
402	2MCN2970-A402	O-Ring
403	2MCN2970-A403	Nose Piece
404	2MCN2970-A404	Hex. Soc. Hd. Bolt
405	2MCN2970-A405	O-Ring
406	2MCN2970-A406	Feed Piston
407	2MCN2970-A407	O-Ring
408	2MCN2970-A408	Feed Bumper
409	2MCN2970-A409	Pusher Spring
410	2MCN2970-A410	Feed Piston Cap
411	2MCN2970-A411	C-Ring
412	2MCN2970-A412	Hex. Soc. Hd. Bolt
413	2MCN2970-A413	Door Latch
414	2MCN2970-A414	Latch Spring
415	2MCN2970-A415	Door
416	2MCN2970-A416	Pu Retainer
417	2MCN3165-A211	Spring Pin
418	2MCN2970-A418	Stopper Finger Sprin
419	2MCN2970-A419	Nail Stop
420	2MCN2970-A420	Pin-Nail Stop
421	2MCN2970-A421	Muzzle Protector
422	2MCN2970-A422	Dust Shield Plug
423	2MCN2970-A423	Safety
424	2MCN2970-A424	Safety Spring
425	2MCN2970-A425	Safety Guide
426	2MCN2970-A426	Magazine Case
427	2MCN2970-A427	Magaeing Post
428	2MCN2970-A428	Rubber Ring
429	2MCN2970-A429	Spring Base
431	2MCN2970-A431	Spacer
432	2MCN2970-A432	Spacer



433	2MCN2970-A433	Pull Spring
434	2MCN2970-A434	Magazine Cover
435	2MCN2970-A435	Pin Feed Piston
436	2MCN2970-A436	Feed Finger
437	2MCN2970-A437	Feed Finger Spring
438	2MCN2970-A438	Hex. Soc. Hd. Bolt
439	2MCN2970-A439	Protector Washer
441	2MCN2970-A441	Spring Cover
442	2MCN2970-A442	Bolt Cap
443	2MCN2970-A443	Magazine Shaft Pin
500	2MSN2213-K216	Sequential actuation KIT
K100	2MCN2970-K100	Kit O-Ring







**CN29.70**

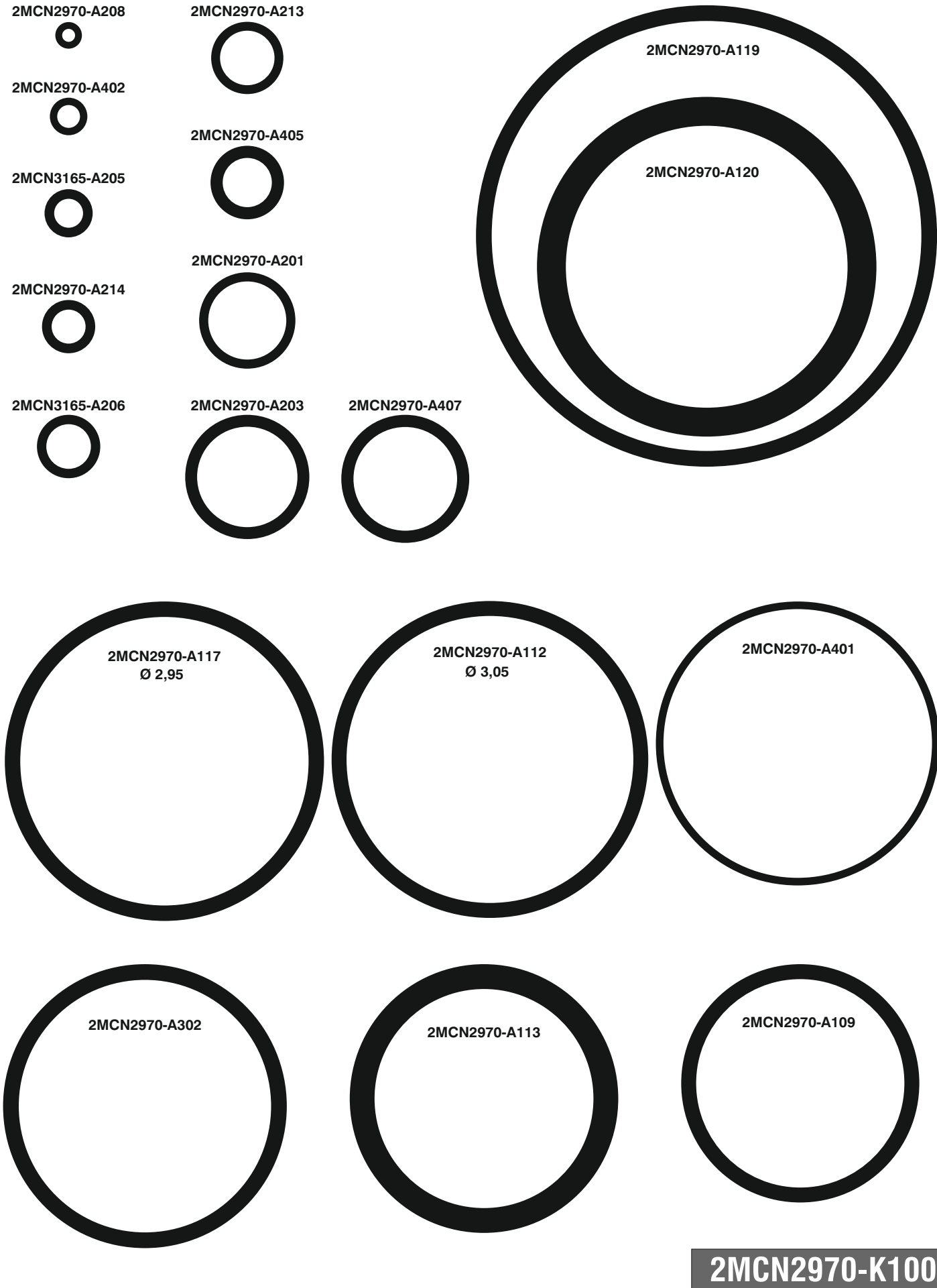
cod. 195MCN2970

Indice di modifica  
 Upgrade number

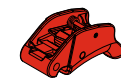
**A1**

Kit azionamento Sequenziale  
 Sequential actuation KIT  
 A richiesta  
 On request

500

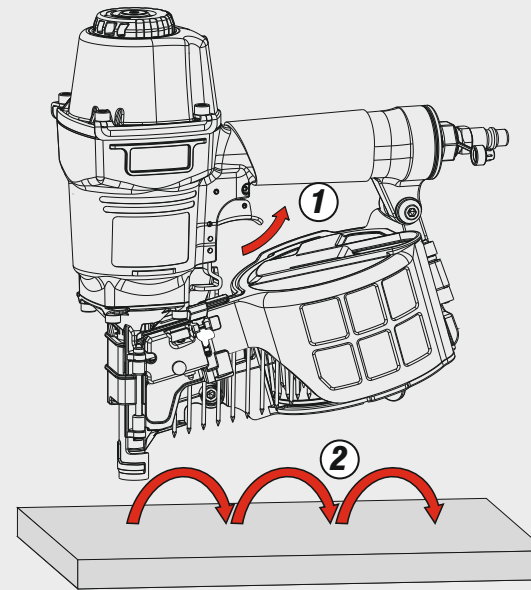


Di serie / Standard

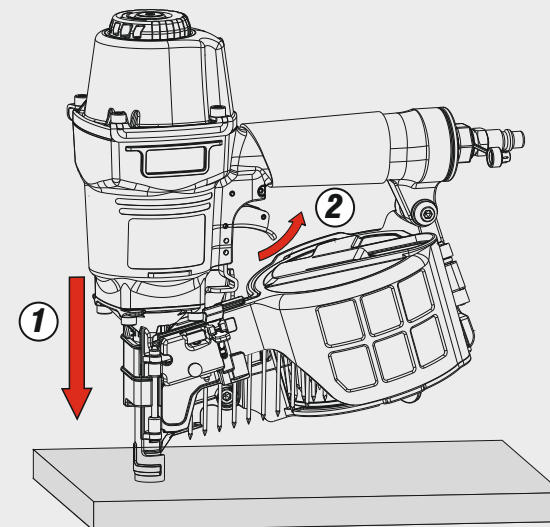


A richiesta / On request

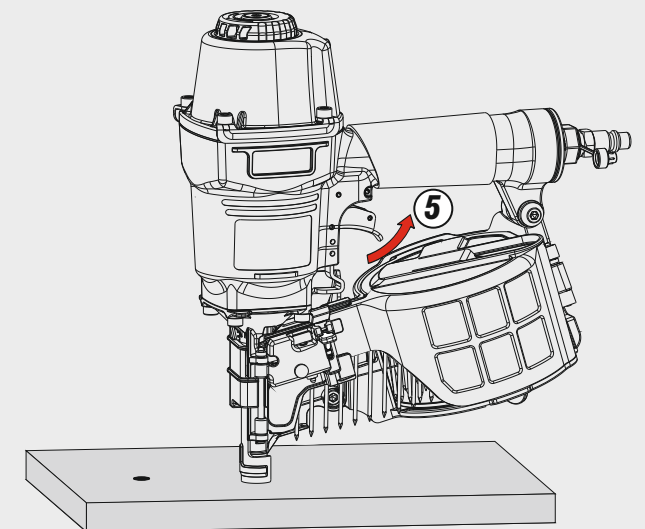
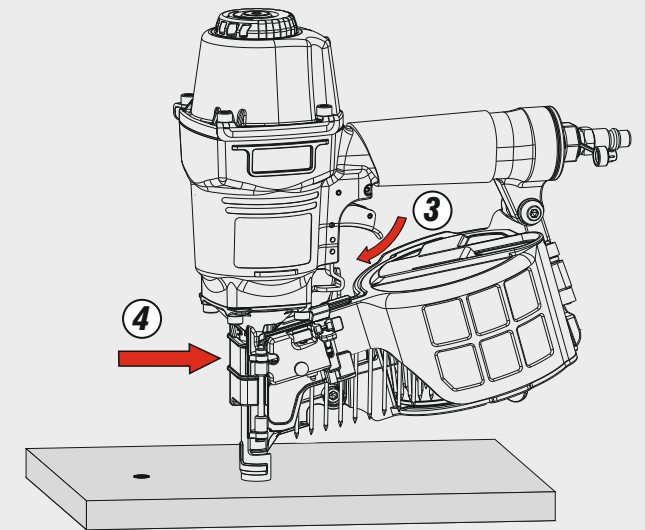
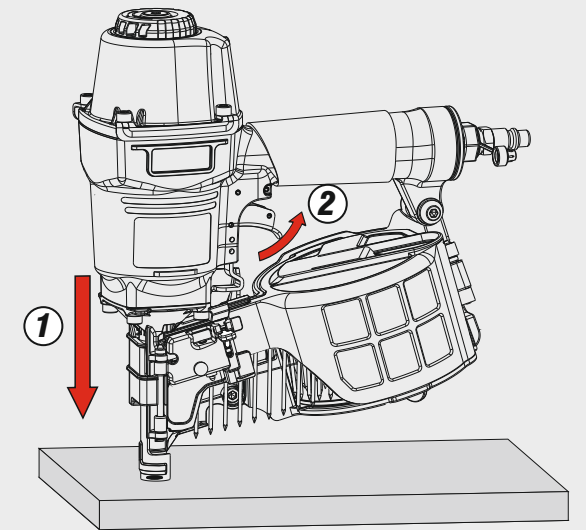
**Azionamento a contatto**  
 Contact actuation



Oppure - Or



**Azionamento sequenziale singolo**  
 Single sequential actuation



2MCN2970-K100