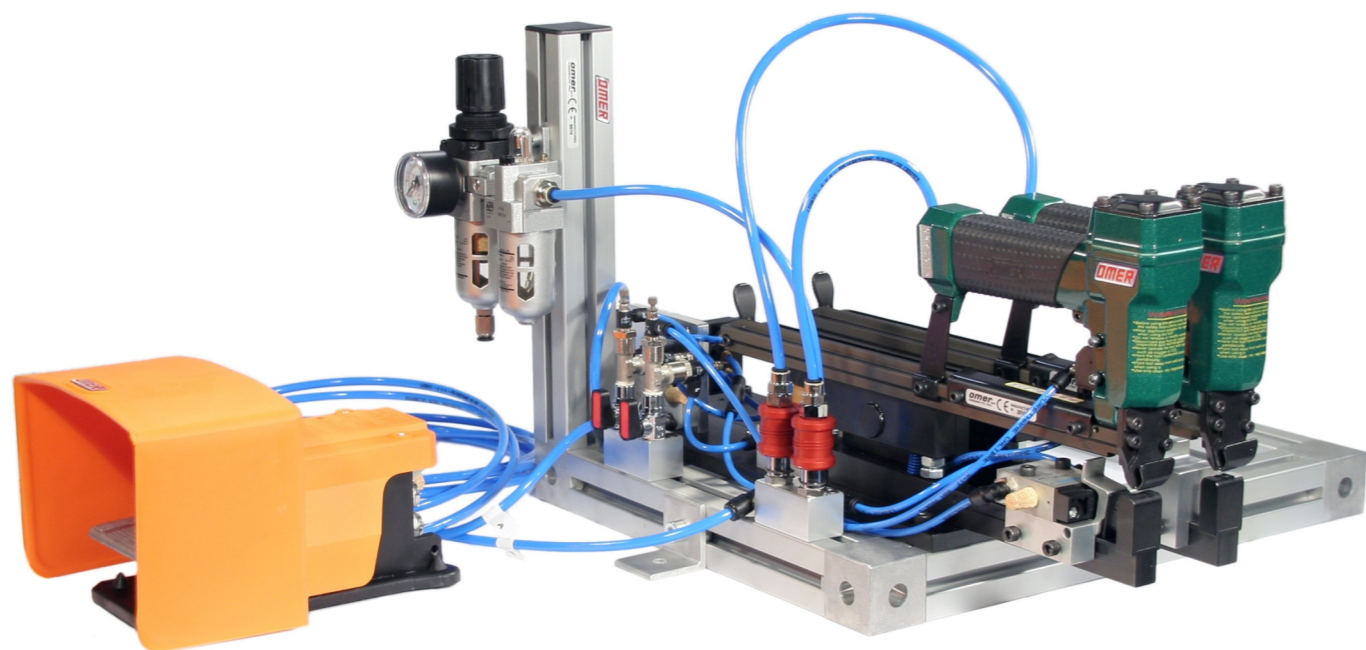


80.16 ROC2

cod. 11560ROC2

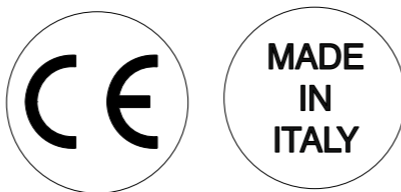


INTRODUCTION:

The bench-mounted ROC2 is the optimal solution for fixing 2 staples simultaneously. Ideal for fastening blister, bags, boxes, displaying cards, etc.

Features:

- Frame with aluminium profile, easy to fix upon working surface
- Pneumatic system complete with FRL unit and manometer for a correct power supply
- Possibility to fix 1 or 2 staples at time
- Contact activated mode (control lever on main stapler)
- Safe operations: final release through pedal valve
- Working pressure: 5,5 – 6,5 bar (80 – 95 PSI)
- Top loading
- Magazine capacity 2 strip
- Applicable size: 6 to 16 mm
- Easy jam clearing
- Easily replaceable pneumatic tool units (with units suitable for different fastening series (es: 3G - 64 - 80 - 50 - 65 - 40 - 4097)
- Adjustments:
 - Interax between tools: 60 – 254 mm
 - Clinching depth
 - Front side opening
 - Clinching speed
 - Fire delaying
 - working cycle



USE MANUAL and SPARE PARTS

IMPORTANT DO NOT DESTROY !

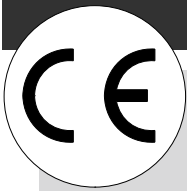
Read carefully this manual before using the tool and respect the security norms herewith enclosed.

5464179

11460ROC2_8016ROC2_5 120218 IV

INDEX:

Introduction	1
Nomenclature	2 - 3
Index	4
Declaration of conformity	5
User manual and safety rules	5 - 7
Warranty	7
Technical data	8 - 9
Installation	10
Operating modes:	
- Single mode	11
- Dual mode	12
Settings (to do in sequence):	
- Stapling position	13 - 14
- Clinching depth	15
- Front opening	16
- Clinching speed	17
- Fire delay adjustment.....	18
- Tool return after firing	19
Loading	20
Jam-clearing	21
Maintenance & Spare parts	22
Spare parts - pneumatic tool 80.16 ROC-C	23
Spare parts - Tool frame	24 - 25
Accessories -- O-Rings	26
Spare parts list	27
Pneumatic diagram	28



Conformity declaration

(Conformity to annex II part 1 section A of Directive 2006/42/EC.)

OMER, having registered offices in Via Foresto, 42 - I-31058 ITALIA hereby declares under its own responsibility that the pneumatic stapler to which this booklet refers, and whose model, serial number and year of manufacture are printed on the cover, complies with the essential safety requisites established in the 2006/42/EC and meets the requirements of standard UNI EN 792-13:2009.

Susegana 25-01-2010

The duly authorised representative

INSTRUCTION MANUAL

FOREWORD

This Instruction Manual and the attached Data Sheet (which forms an integral part of it) have both been drawn up in conformity with EEC guideline 2006/42/EC. Both publications are meant for the user of the tacker and contain information on the use of the machine as intended by the manufacturer; they also supply the necessary technical data for its correct use and the safety rules to be strictly observed by the user of the stapler. The instruction manual is to be considered an integral part of the gun and must be kept in a safe place for future reference for the entire life of the machine.

INTRODUCTION

In order to assure top working reliability, OMER has made a careful choice of the materials and components to be used in the manufacture of the tool and has tested it before delivery. Proper performance of the tacker in time also depends on its correct use and on adequate servicing according to the instructions contained in this manual. All of its components, connecting parts and controls have been designed and implemented with built-in safety to enable them to withstand even unusual stresses, in excess of those set in this manual. The best quality materials have been used and they have been accurately tested on arrival, during storage and while being processed in the workshop for damage, wear or malfunctioning.

The following should be remembered at all times:

- 1) Do not use or service the machine before reading and clearly understanding this Manual and the attached Data Sheet in all their parts.**
- 2) In particular, take all the precautions listed in section A - Safety prescriptions and information.**
- 3) Never use the machine under different conditions or for a different purpose than stated in the manual. OMER spa cannot be held liable for faults, breakdowns or damage due to failure to observe this rule.**

Section A

General information for a safe use of the stapler

A.1 - Conditions of use prescribed by the manufacturer

La graffatrice deve essere ben fissata ad un piano di lavoro. Unica fonte di alimentazione deve essere un impianto d'aria compressa che risponda ai requisiti descritti nella sezione B del presente manuale. La pressione di esercizio deve essere sempre quella indicata nella tabella dei Dati Tecnici. La graffatrice è stata progettata per la ribaditura di punti metallici su materiali teneri (carta, cartone, pvc, compensato, etc.); non deve essere usata su altri materiali duri quali cemento, metalli, piastrelle, ecc. È sempre necessario prendere tutte le precauzioni per ridurre i rischi di danni all'operatore ed alle persone che si trovano in vicinanza della zona di lavoro. A tal fine:

- proteggere gli occhi dalla polvere o dal pericolo rappresentato dai punti metallici o dai chiodi utilizzando occhiali di protezione di tipo approvato;
- evitare la possibilità di danni all'udito usando cuffie o altre protezioni.

A.2 - Safety measures

◆ Never forget that the stapler can be dangerous, so never play about with it. ◆ Do not press the control trigger when connecting the nailing machine to the compressed air supply. ◆ Do not remove, lock or misuse the safety catch in any way. ◆ Do not allow children or unskilled persons to handle the gun. ◆ Never connect the tacker to other power sources than compressed air. High-pressure gas (propane, acetylene, oxygen, etc.) is highly dangerous and may cause the gun to explode. ◆ Never use the stapler on any other purpose than the one it was meant for. ◆ Never use the tool next to volatile flammable material such as petrol, solvents, paints or gas. ◆ Never supply air to the tacker at a different pressure than indicated in the table on the Data Sheet. ◆ Never drive staples or nails on top of earlier ones. ◆ Do not staple too close to the edge of the object: dangerous chips might fly off. ◆ Do not replace the original service coupling with others which might retain compressed air within the gun after it has been disconnected from the air.

A.3 - Disconnection from the supply

The machine must be disconnected from the compressed air supply system whenever:

- ◆ the machine is not in use.
- ◆ you must leave your working area unguarded, even just for a few minutes.
- ◆ the stapler is jammed;
- ◆ the stapler needs to undergo servicing or repairs.

Section B

Compressed air supply system

B.1 Foreword

Peak performance of the staplers and the length of their useful life depend chiefly on the compressed air supply system: a properly sized system built of quality components and subjected to regular maintenance assures optimal service by the pneumatic staplers connected to them.

B.2 - Design of the compressed air system

The system must take into account the following factors:

- ◆ The power of the air compressor must meet requirements both with regard to pressure and to the air flow supplied. It should be remembered that a pressure drop takes place along the line due to load losses through chokes, outlets, etc.;
- ◆ the main service line must be of adequate size to cope with the type and number of users connected. Whenever possible, avoid using chokes, elbows or any other means to break the flow which might contribute to pressure drops along the line. The latter must be slightly inclined to drain off any condensation which unavoidably forms;
- ◆ the branch pipe with cock and steam trap must be shaped in such a way as to hinder the passage of condensation from the service line;
- ◆ the regulator unit with cock consists of a combination of filter-steam trap, a pressure regulator with pressure gauge and a microspray lubricator;

NOTE: To execute the connection to the compressed air mains, so-called quick-connect couplers are used, in which the male adapter must be mounted on the stapler in such a way that no compressed air remains in it after it has been disconnected from the mains.

B.3 - Servicing

Check regularly the pressure regulator unit and the oil pressure level in the lubricator for proper operation; if necessary, top up with oil for pneumatic tools. Proper tacker operation largely depends on moving parts being constantly lubricated, which only the microspray lubricator can assure. Drain off the condensation regularly (daily) from the lines and the filter-trap, since it damages the tacker. Clean the regulator unit filter weekly.

Section C

Information on the use of the stapler

C.1 - Tacker performance

It is important that the machine be used only for the purpose for which it was designed and that it not be tampered with in any way. Before starting to use it, always make sure there is no air leakage, that all parts work properly and especially that the safety system is perfectly efficient. Also make sure that the machine is clean and lubricated.

C.2 - Working pressure

The tacker must always be supplied at a pressure within the range indicated on the Data Sheet table. A higher pressure than the one suggested by the manufacturer increases the stress to which it is subjected and therefore the wear of some of the components. If on the other hand the pressure used is lower than shown on the table, proper performance cannot be assured. For proper performance and long life, the working pressure of the gun must always be the lowest possible required to assure full penetration of the staple or of the clout nail; therefore, if after shooting the fastener has not penetrated completely, increase the pressure by 0.5 bar at a time, checking the effect. If the penetration is excessive, reduce the pressure by 0.5 bar at a time until the required degree of penetration is achieved. It is strictly forbidden to supply the gun with high-pressure gas such as oxygen, carbon anhydride or other bottled gases: the gun might explode and cause serious damage and injury.

C.3 - Trigger and safety catch

These are highly important parts from a safety point of view and must therefore always be perfectly efficient. The safety catch must never be tampered with, removed or blocked in such a way as to void the purpose for which it was designed.

C.4 - Loading the tool

It is a safe practice to disconnect the gun from the compressed air line before loading it to rule out any cause for accidents. If the gun is not disconnected from the mains, take the utmost care in handling it since this may cause highly dangerous accidental shooting.

C.5 - Unjamming the gun

If the gun jams, Disconnect the gun from the compressed air line and unload the magazine, clean the head, the magazine and any other parts connected with it. If jamming occurs too often, consult a specialized service centre.

NOTE: In order to avoid jamming, breakage or early wear, only use staples or nails of the type indicated for each model. OMER staples and nails are of a size and quality that make them ideal for staplers and therefore assure top performance at all times and long life. OMER spa does not answer for damage to the gun due to the use of staples or nails of types not suitable for the model.

Section D

Information regarding maintenance and repair

D.1 - Maintenance instructions

In order to assure the safety and reliability of OMER guns, maintenance and repairs must be carried out by skilled persons and OMER original spare parts must always be used. If you notice any irregularities in the operation of the machine, stop work at once, disconnect it straight away from the compressed air supply and unload the magazine. Do not reconnect the machine to the compressed air line before it is in a perfect state of repair.

D.2 - Routine servicing

Before connecting the gun to the compressed air system, always check that the trigger and safety catch are perfectly efficient. Never use the machine unless these safety arrangements work to perfection.

If a microspray lubricator on line with the system is not available, add a few drops of special oil for pneumatic tools through the air supply coupling. Never use gasoline, kerosene or detergent oils.

Before starting to work, check the gun for perfect tightness to pressure. If any leakage is noticed, the machine must be checked thoroughly before use.

Every day, after completing work, clean out the magazine with an air jet, all moving parts and any points in the gun where dirt may settle. Do not clean the gun with solvents, as this might damage the paint and some internal parts; do not submerge it in water or other liquids.

D.3 - Inspections and repairs

Inspect the inside of the gun regularly to check the state of repair of parts subject to wear.

To do so, unscrew the head screws with the hex spanner supplied, open the gun and remove the different components.

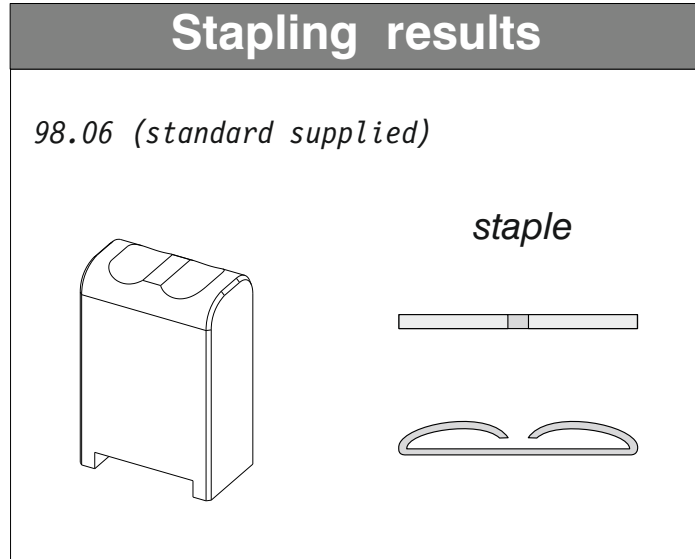
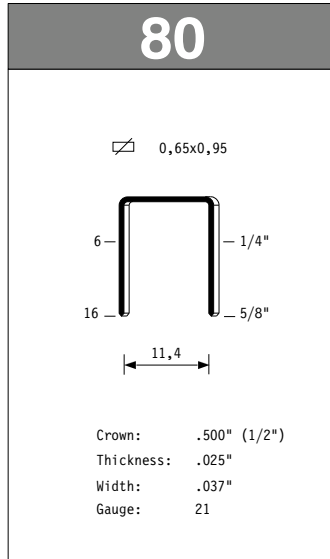
Check carefully the state of wear of the O-rings and of the rubber parts. Replace the worn parts with OMER original spare parts. Lubricate the O-rings and moving parts with a fine film of special grease for pneumatic tools. Wash the bronze silencer - if provided - by dipping it into a solvent for a few minutes and then blasting it dry with a jet of compressed air.

Check the state of the shock absorber: if it shows signs of wear or failure, it needs replacing. This is very important for the safety of the gun and therefore for operator protection as well. Finally check the state of wear of the end of the back plate. If it is replaced and is of the threaded type, screw the replacement onto the piston using a medium strong thread braking liquid. On some models there is a servovalve inside the head, fitted in its seat; if you need to remove it, check the position of the reference notches cut in the brass bush and the head. When you put back the servovalve bush, make sure that its notch is aligned with the one grooved into the head. Never wash the O-rings and other rubber parts with solvents, gasoline, kerosene, etc.

GUARANTEE

OMER spa undertakes to replace free of charge any parts which its engineers acknowledge to be faulty due to manufacturing or material defects, during the life of the machine. The guarantee does not cover any components subject to normal wear and tear during operation (shock absorber, back plate, etc.). This guarantee is void if malfunction or breakage are due not to manufacturing faults but to an improper use of the tool, not in conformity with the manufacturer's instructions. Freight charges are always at the buyer's expense.

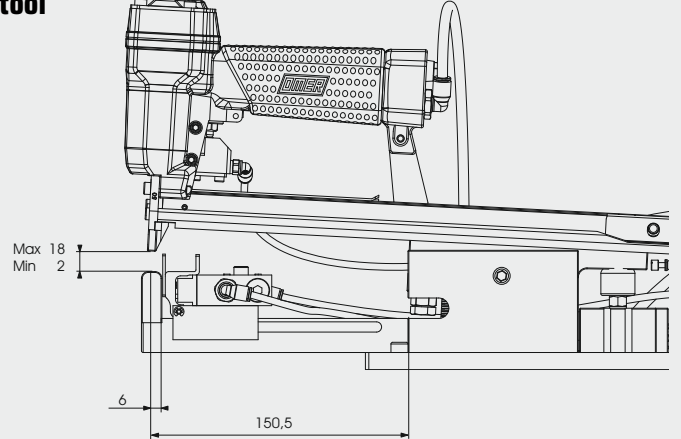
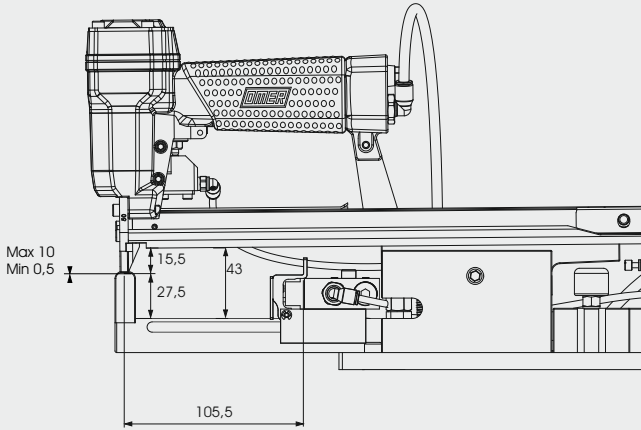
Suitable staple series :



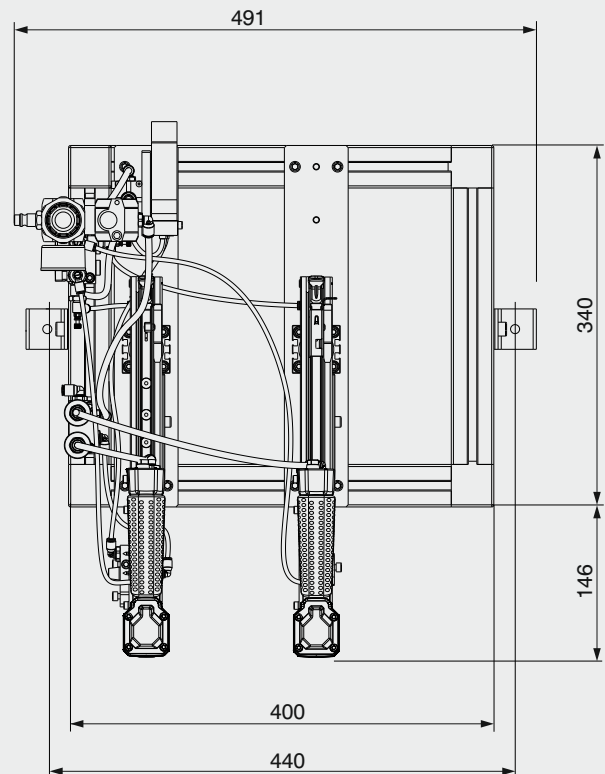
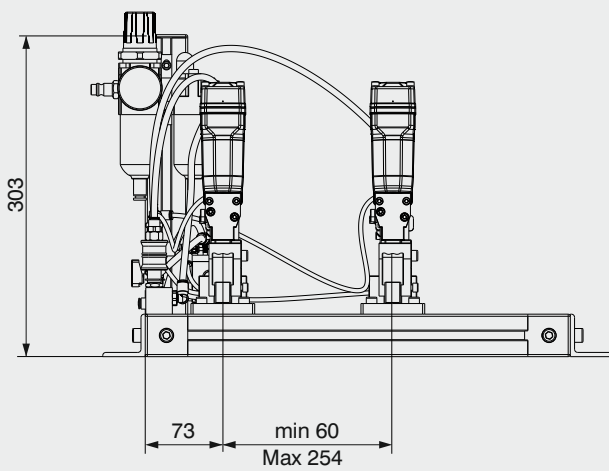
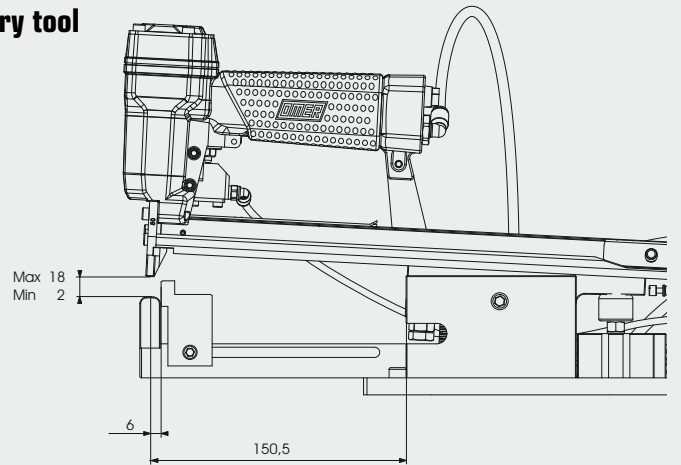
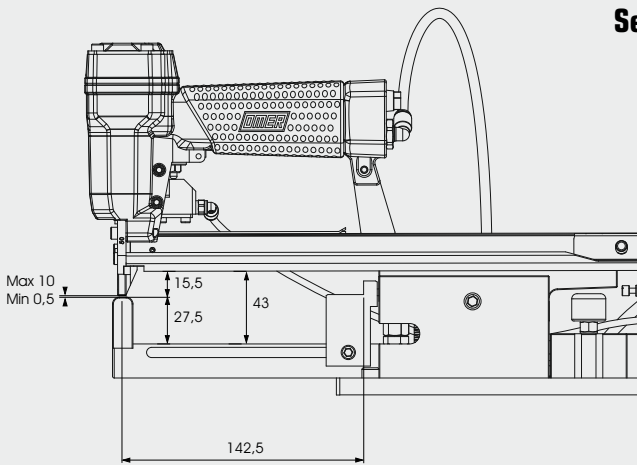
Usable lengths mm	6 ÷ 16
Usable lengths inch	1/4" ÷ 5/8"
Magazine capacity No. of fasteners	270
Working pressure bar	5,5 ÷ 6,5
Working pressure psi	80 ÷ 95
Air consumption litres/shot	0,68
Air consumption ft ³ /shot	0,0240
Weight kg	15,40
Weight lbs	33,95
Sound pressure at the workstation	79 dB(A)
Emitted sound power	84 dB(A)

Technical data

Main tool



Secondary tool

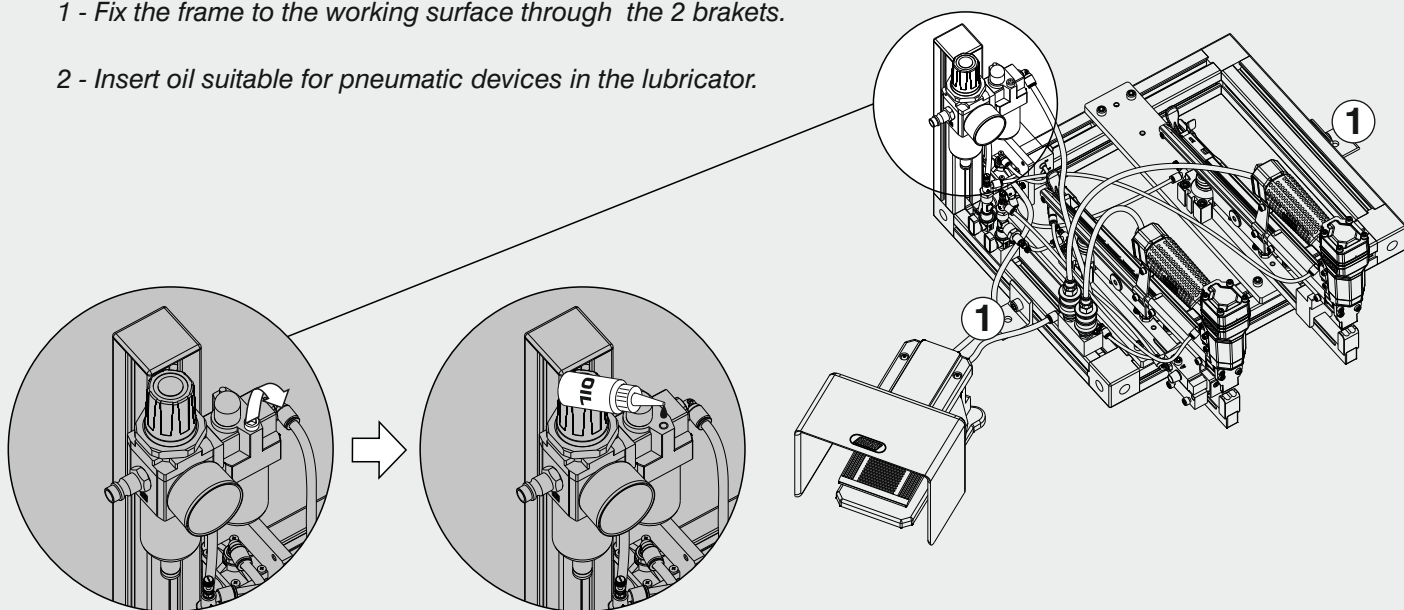


*all measures are expressed in mm

Assembling

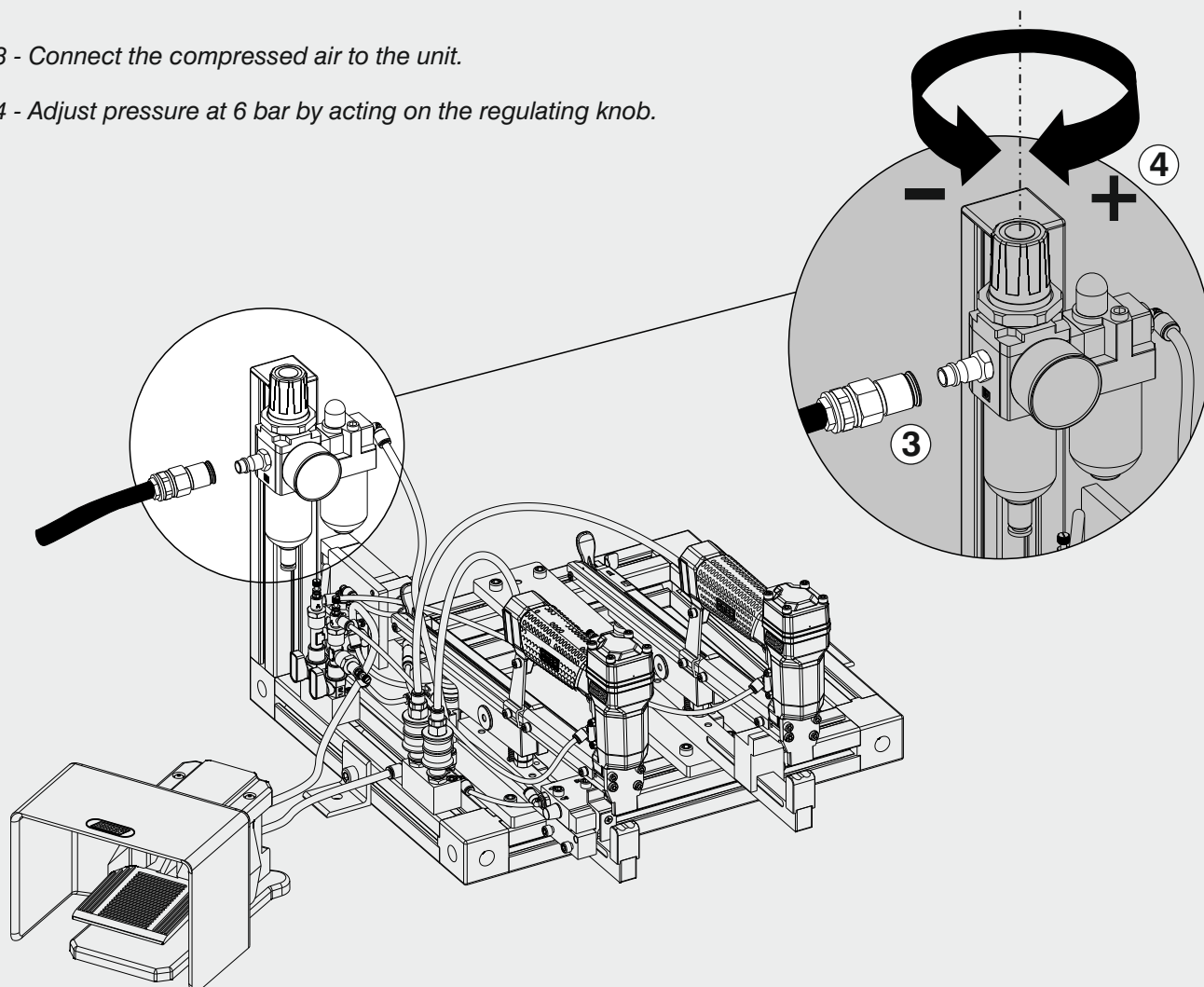
1 - Fix the frame to the working surface through the 2 brakets.

2 - Insert oil suitable for pneumatic devices in the lubricator.



3 - Connect the compressed air to the unit.

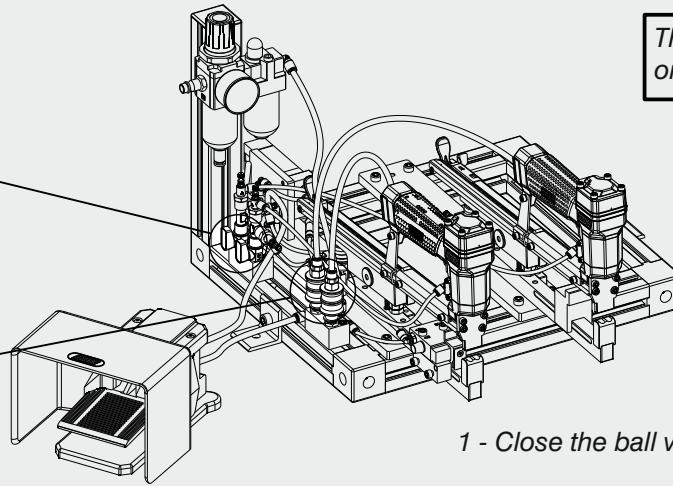
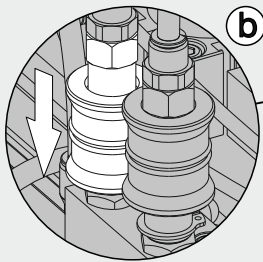
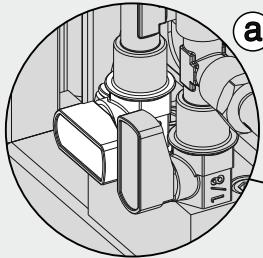
4 - Adjust pressure at 6 bar by acting on the regulating knob.



Operating Modes

Single Mode :

Single mode is used when the fastening of only one staple at a time is required.
To set this mode follow the instructions:



This mode can be activated only on the main tool

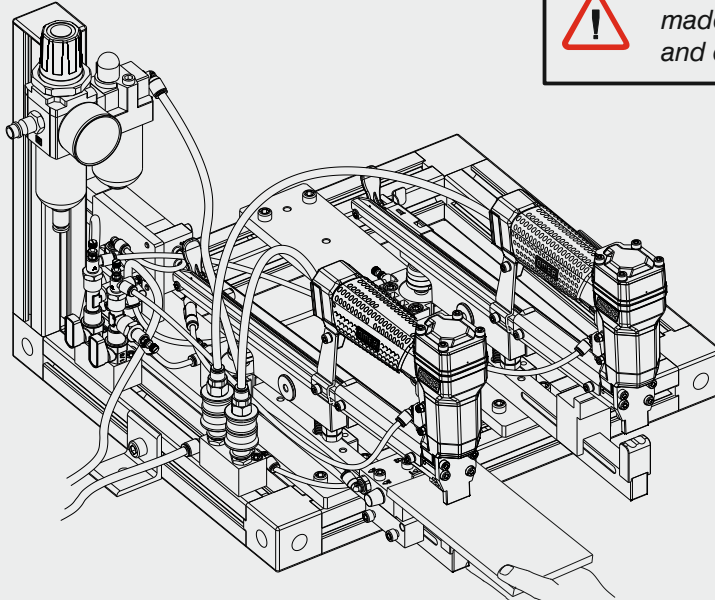
1 - Close the ball valve **a**

2 - Close the slide valve **b**
(by closing you will notice a brief air flow)

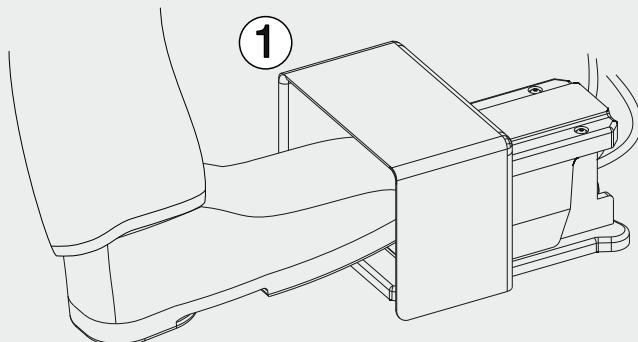
Operating Mode :



Before using the unit make sure you have made all necessary adjustments for a safe and correct usage



2



1

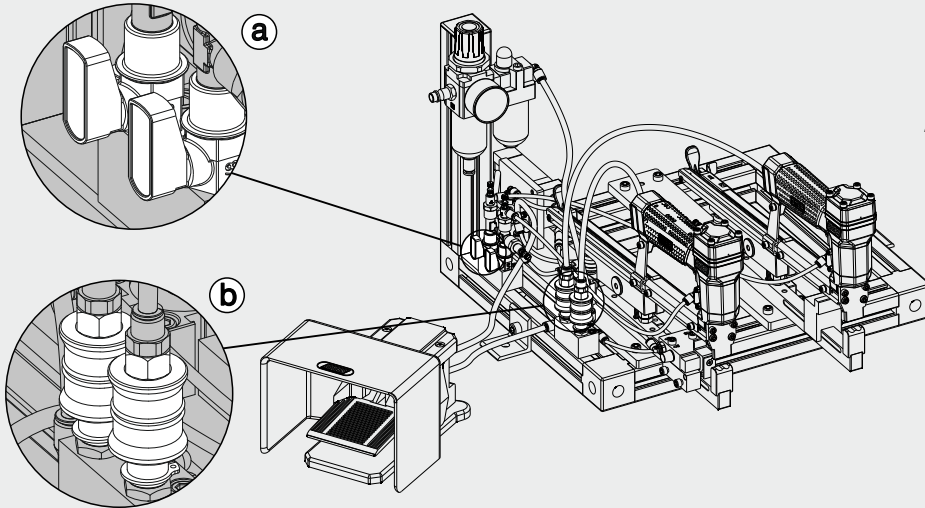
1 - Press the pedal and keep it pressed while working.
(This operation activates all devices)

2 - Insert the material to be fastened by pressing against the control lever which will activate the tool.

Operating Modes

Dual Mode :

The dual mode is required when two staples are to be fired at the same time.
To set this mode follow the instructions :



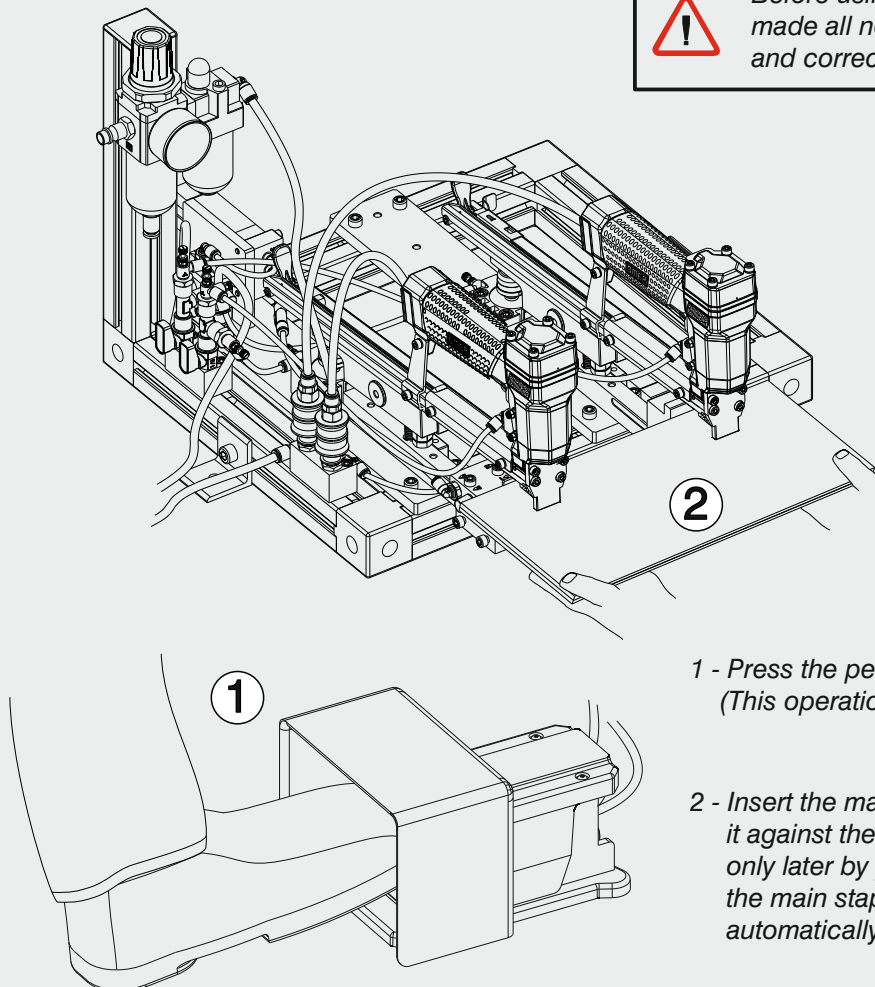
1 - Both ball valves **(a)** must be open

2 - Both slide valves **(b)** must be open

Operating Mode :



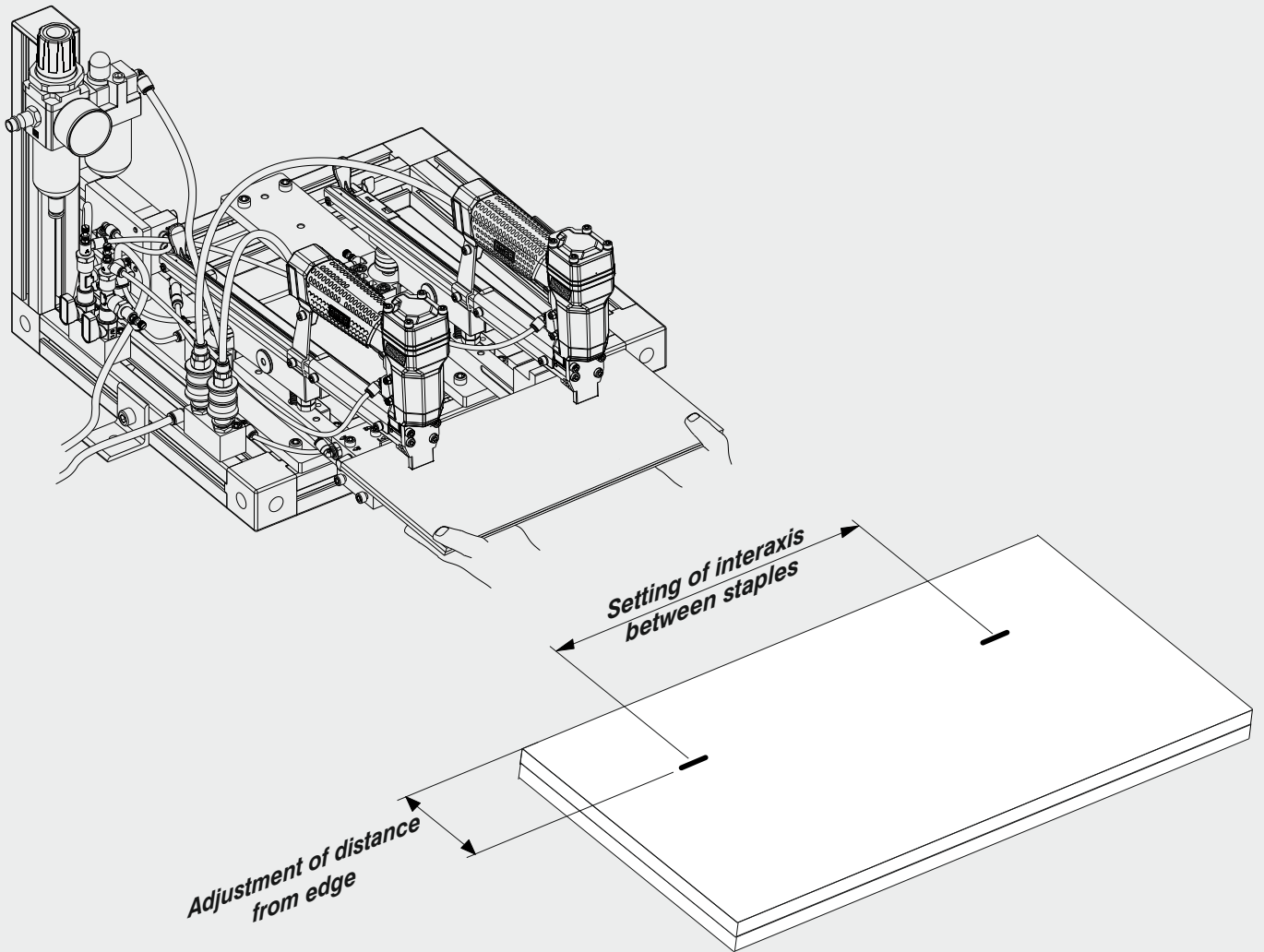
Before using the unit make sure you have made all necessary adjustments for a safe and correct usage



1 - Press the pedal and keep it pressed while working.
(This operation activates all devices)

2 - Insert the material to be fastened by first pressing it against the spacer in the secondary stapler and only later by pressing it against the control lever of the main stapler, which automatically control lever which automatically make both tools fire at the same time.

How to set stapling position



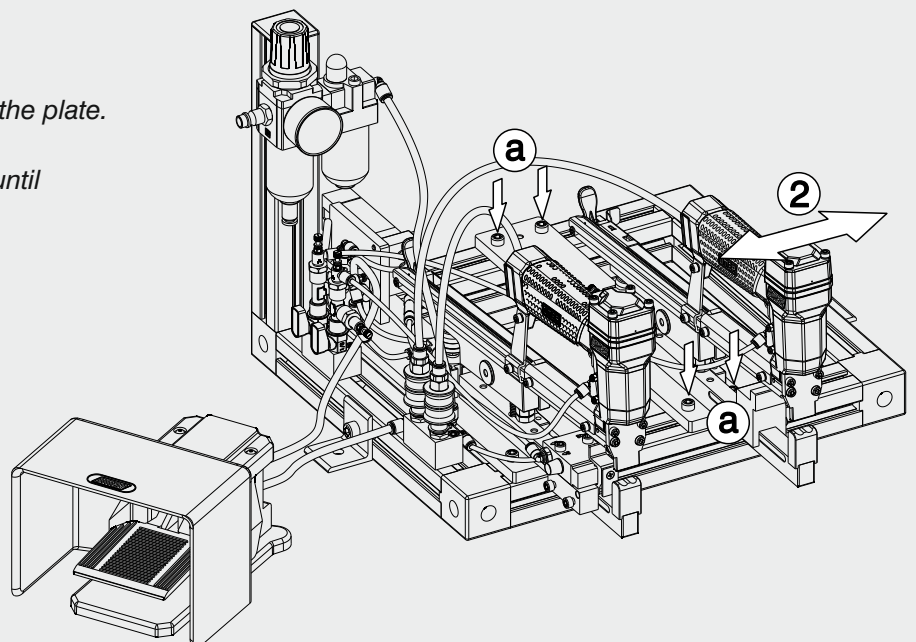
Setting of interaxis between staples :

The interaxis can be adjusted by helping the secondary tool slide along the frame.

1 - Loose the screws **a** to release the plate.

2 - Force the plate along the frame until required position.

3 - Tighten the screws **a**.



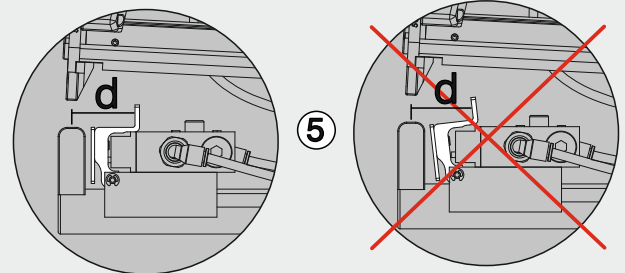
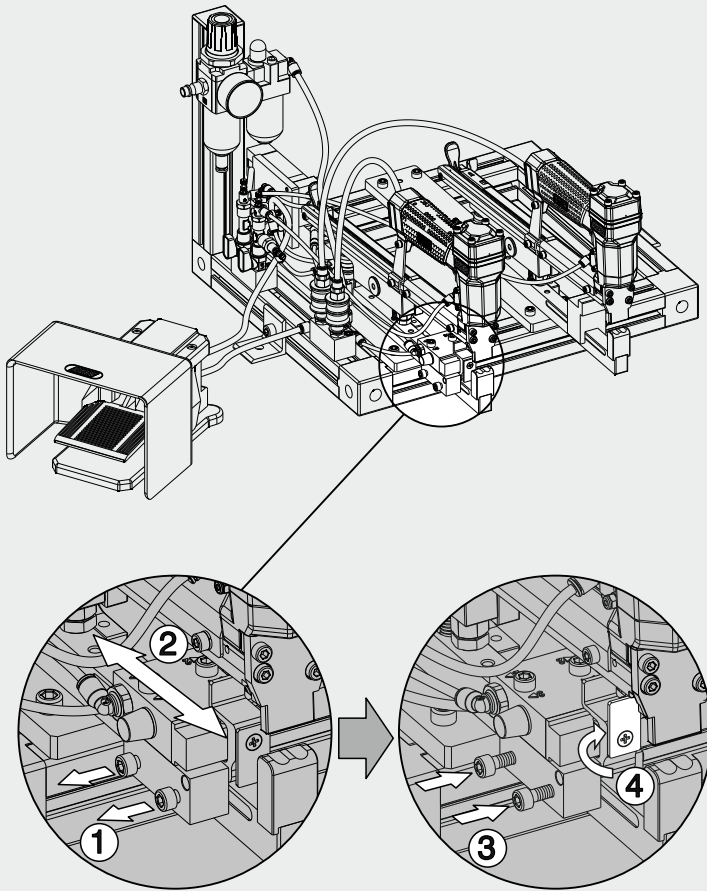
How to set stapling position

Adjustment of distance from the edge :

The distance from the edge is determined by the adjustment of the spacers situated on the two staplers.

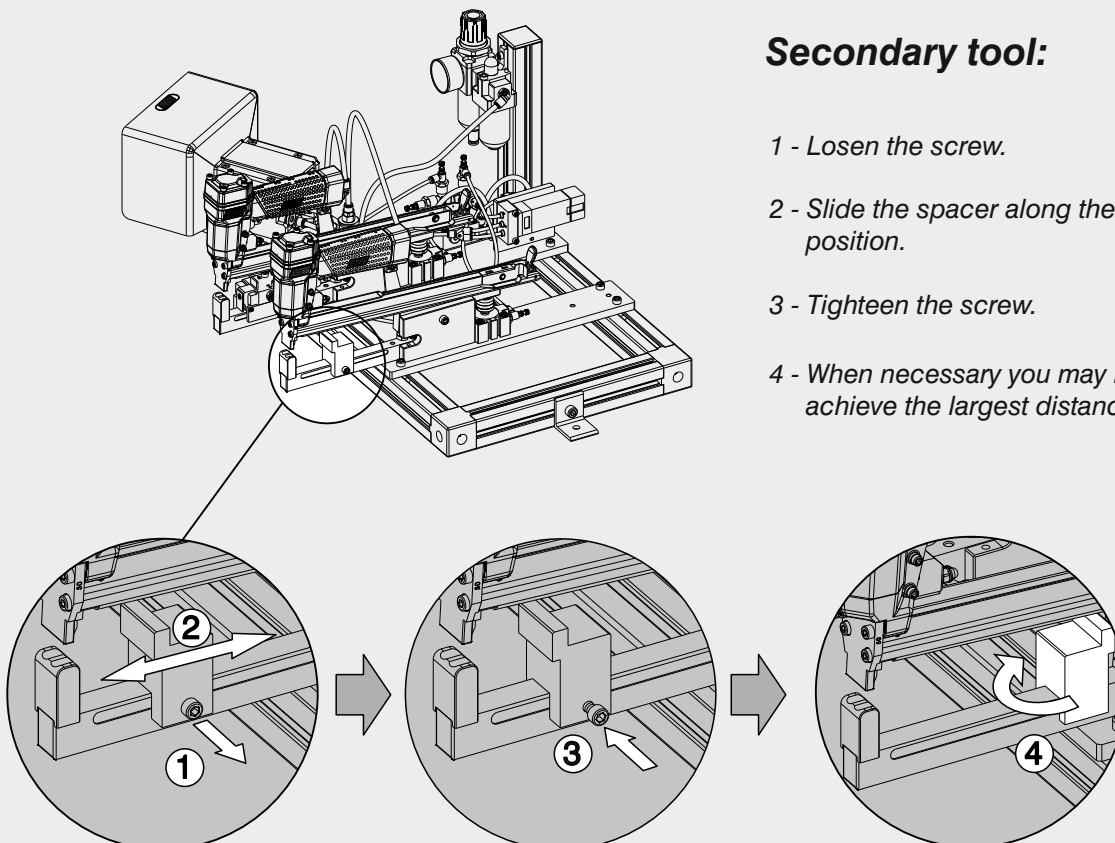
Main stapler:

- 1 - Loosen the screws.
- 2 - Slide the spacer along the guide until required position.
- 3 - Tighten the screws.
- 4 - When necessary rotate the plate for usage at short distance from the edge.
- 5 - The spacer function is performed by the control lever, therefore the spacer must be adjusted while keeping the control lever pressed.



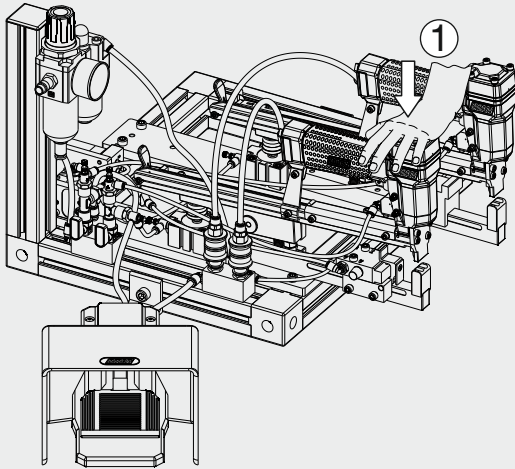
Secondary tool:


- 1 - Loosen the screw.
- 2 - Slide the spacer along the guide until required position.
- 3 - Tighten the screw.
- 4 - When necessary you may invert the spacer, to achieve the largest distance from edge.



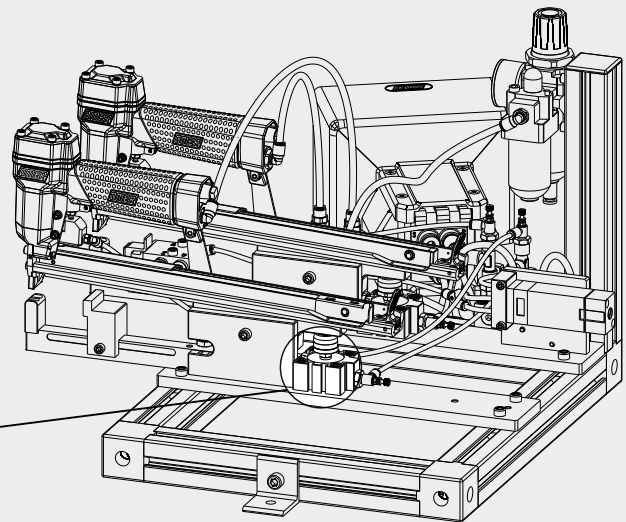
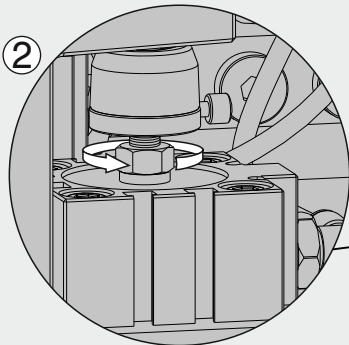
Adjustment of front side opening

A front side opening adjustment must be carried out to allow an easy insertion of the material to be fastened.

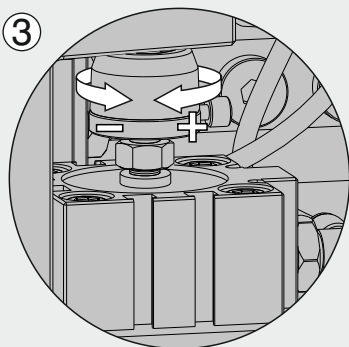


 *Disconnect the air before proceeding with any adjustment*

1 - Press the stapler head and hold this position to have access to the pneumatic cylinder and bumper.



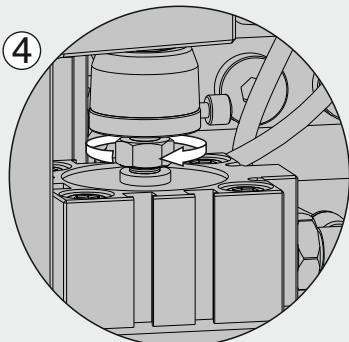
2 - Loosen the nut.



3 - Screw / unscrew the bumper to increase / decrease the opening.




For safety reason it is important that the opening be only slightly larger than the thickness of the material to be fastened.




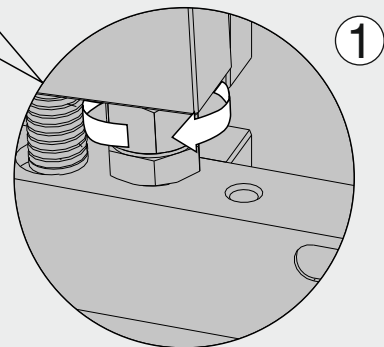
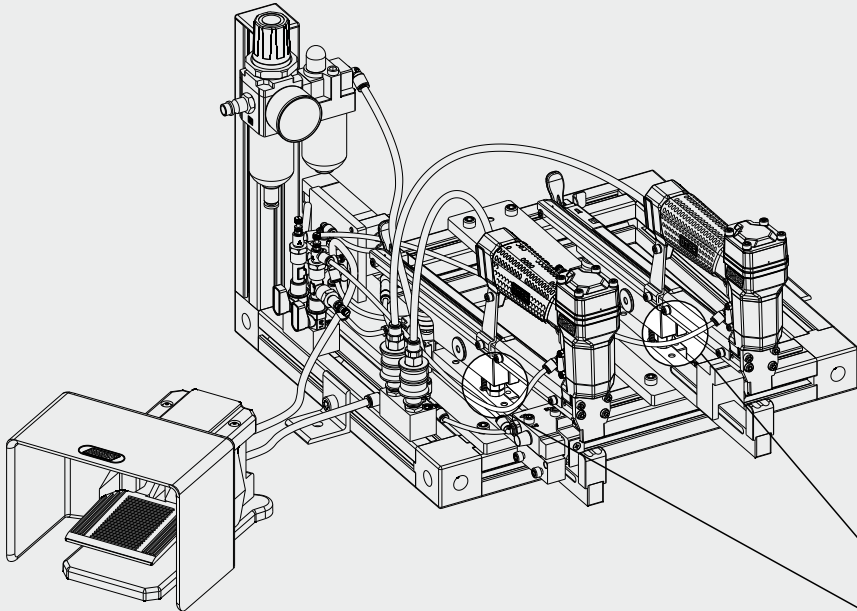
4 - Tighten the nut.

Adjustment of clinching depth

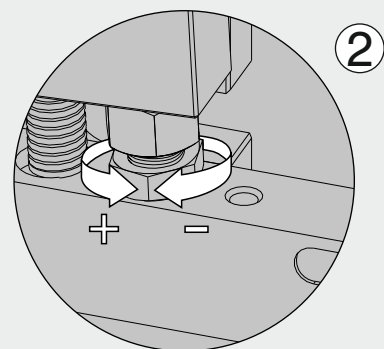
To avoid flattening/damaging the material to be fastened it is possible to set the clinching depth by adjusting the end-run screw

 Disconnect the air before proceeding with any adjustment

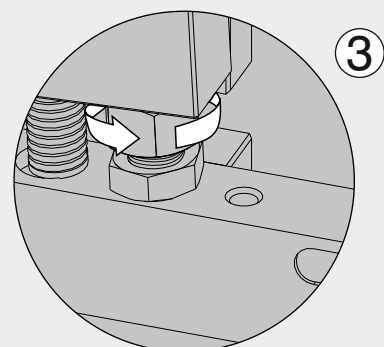
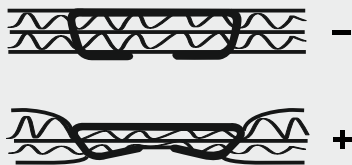

max 10 mm
min 0,5 mm



1 - Loosen the nut which stops the end-run screw



2 - Screw or unscrew the end-run screw to adjust the clinching depth

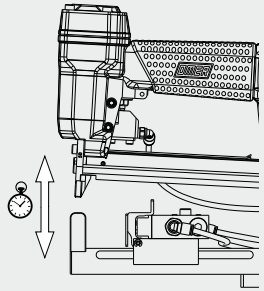


3 - Tighten the locking nut

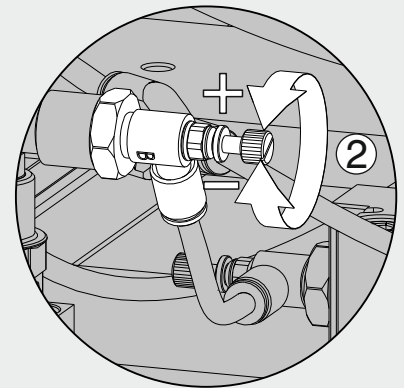
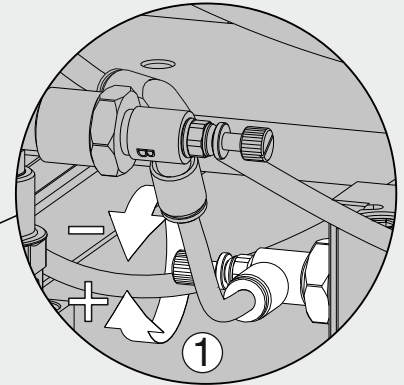
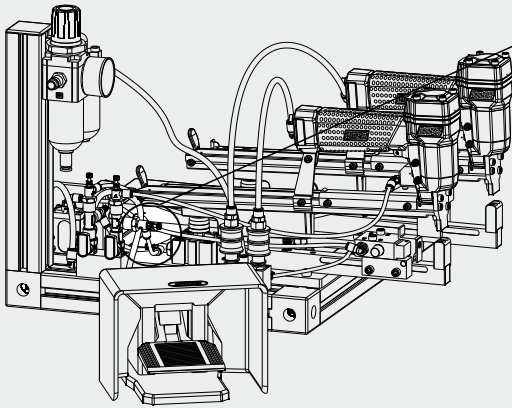
Clinching speed adjustment

This adjustment allows you to set the most comfortable working speed. An excess of speed identifiable in too sudden movements of the stapler may lead to early wearing out.

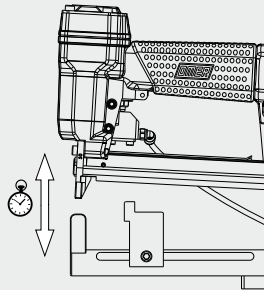
Main stapler



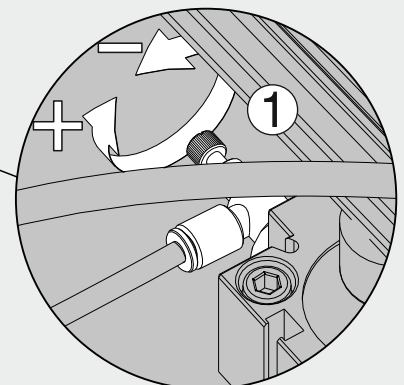
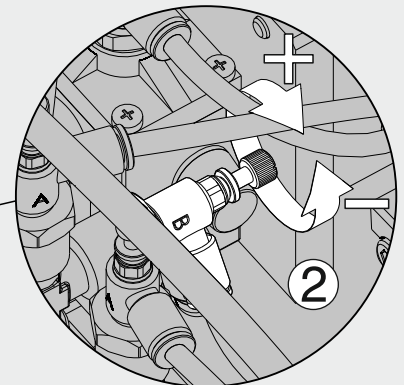
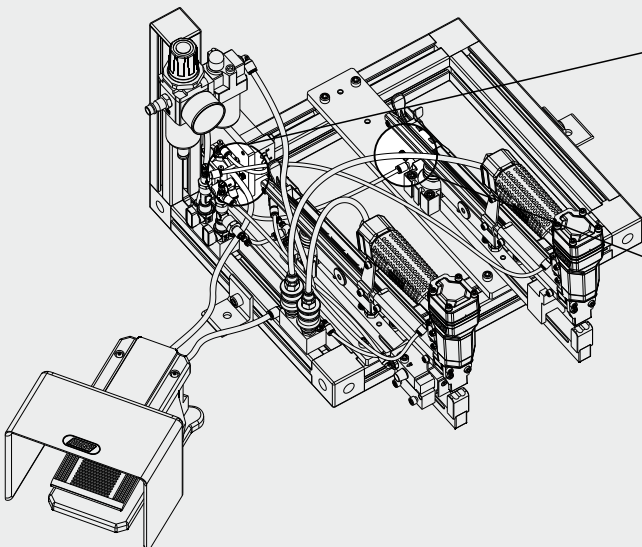
- ① + To increase clinching speed
- ① - To decrease clinching speed
- ② + To increase opening speed
- ② - To decrease opening speed



Secondary tool



- ① + To increase clinching speed
- ① - To decrease clinching speed
- ② + To increase opening speed
- ② - To decrease opening speed

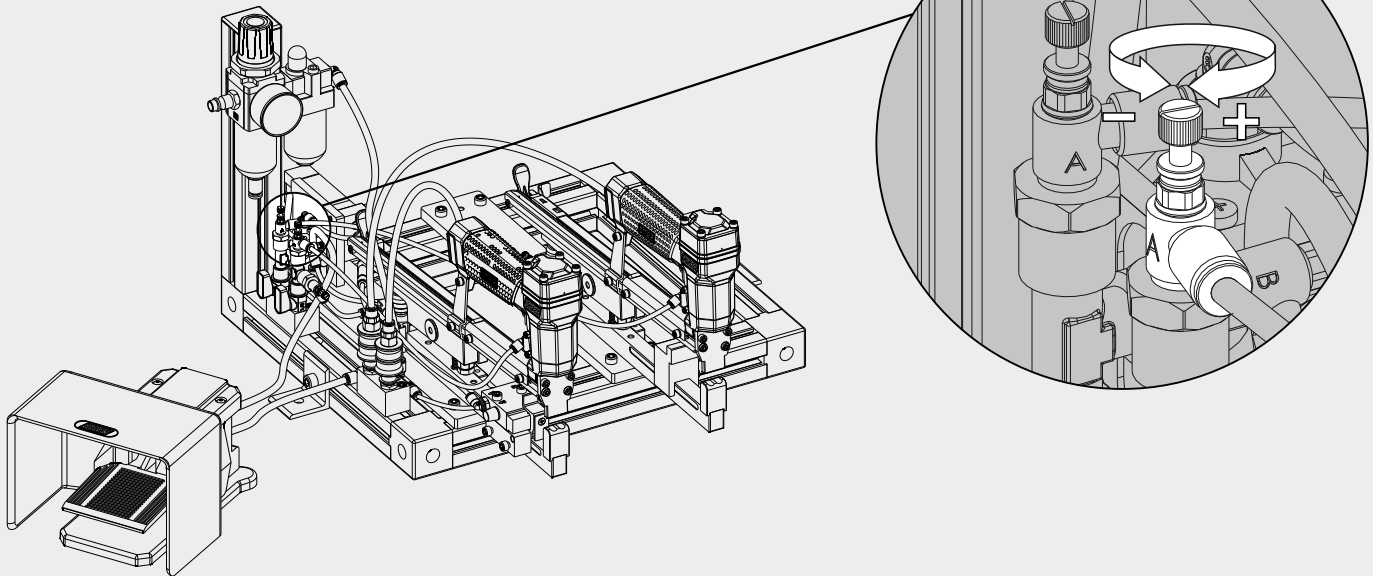


Fire delay adjustment

Fire delay adjustment is the more necessary the wider is the front opening on the tool, since you must give time to the stapler to block the material before firing.

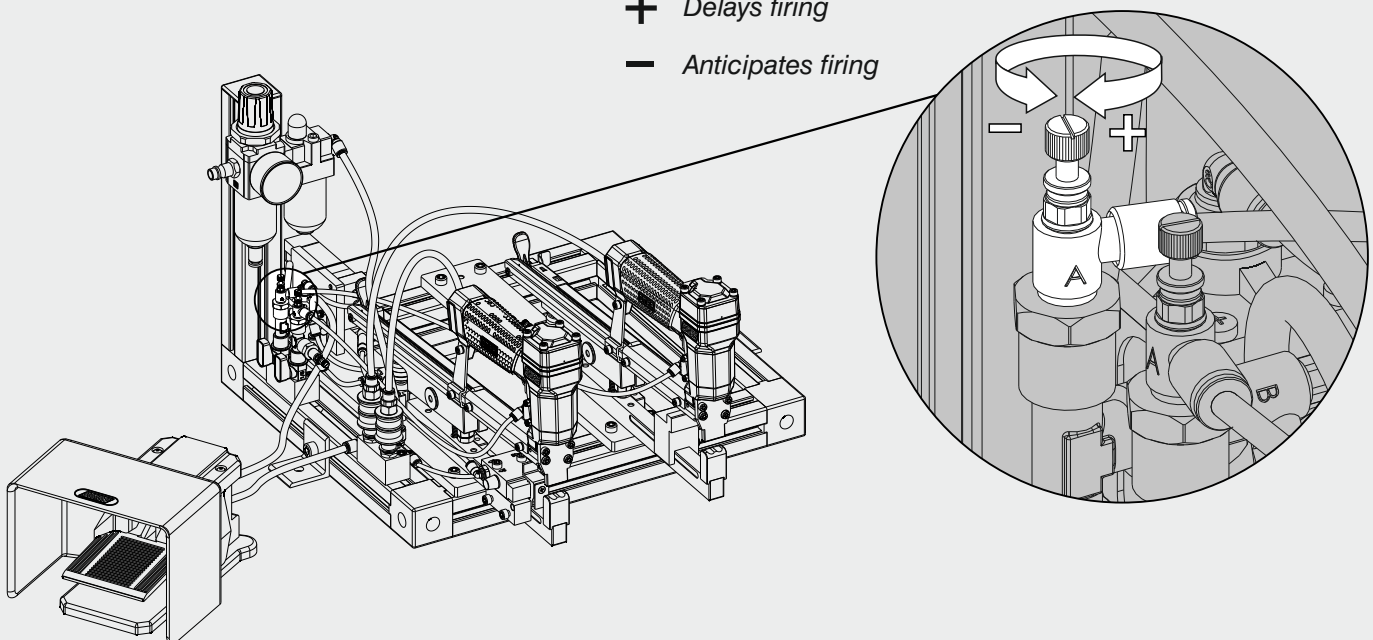
Main stapler:

- + Delays firing
- Anticipates firing



Secondary tool:

- + Delays firing
- Anticipates firing



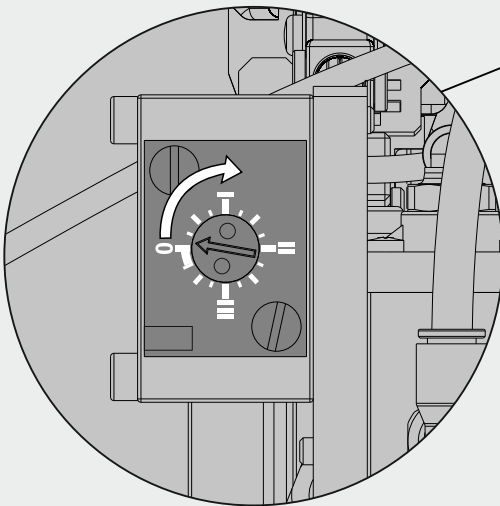
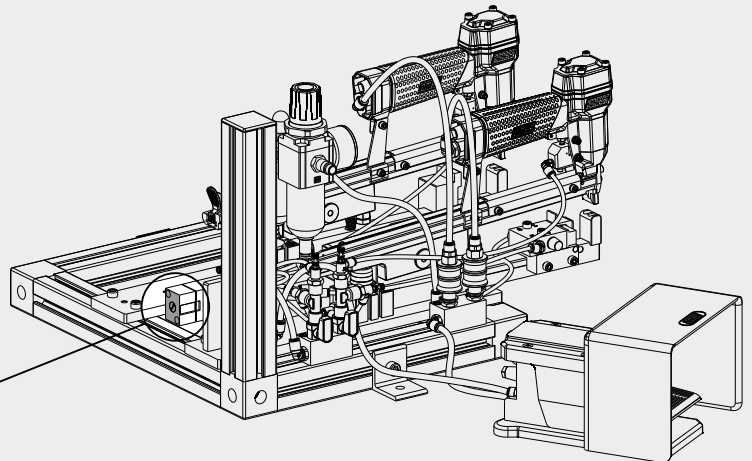
Adjustment of working cycle

This adjustment fixes the length of the working cycle, which starts with the activation of the control lever and stops by releasing the fastened material

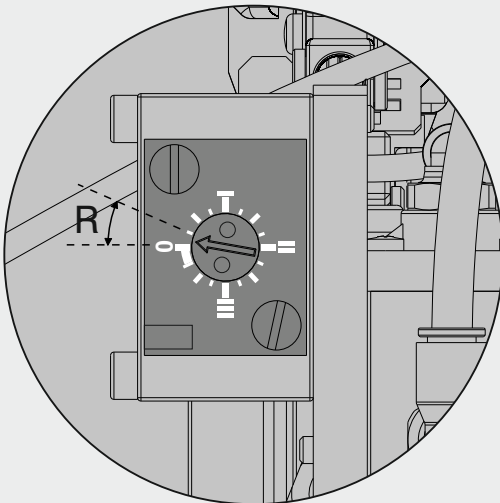
Working cycle time is adjusted by acting on timer as follow:



The best performance of the tool is achieved by synchronizing clinching speed, firing delay and tool return time



1 - Use a screw driver to rotate the selector marked with an arrow, until required working cycle time is met.

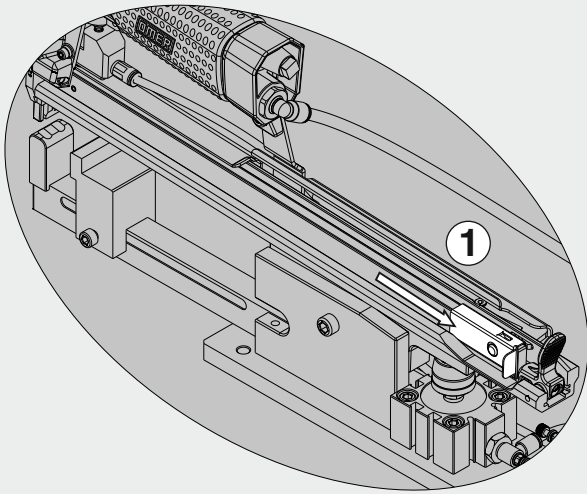


*2 - It is preferable not to exceed the adjustment range **R** to avoid too long return times.*

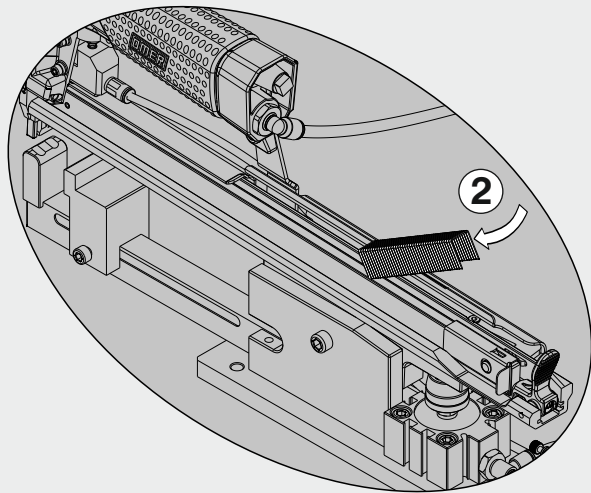
Loading



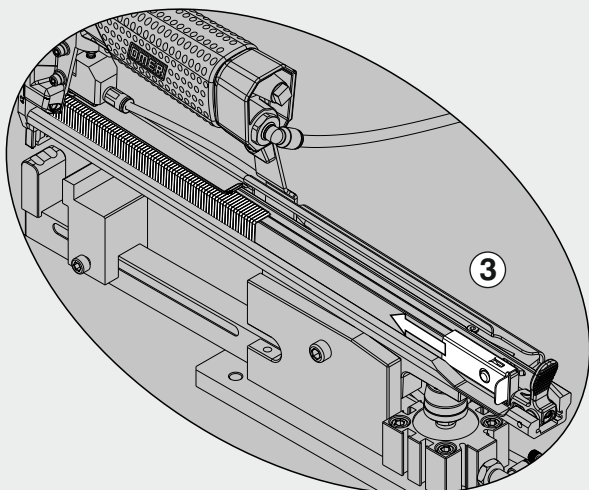
DO NOT press pedal while loading, to avoid activating the device



1 - Pull the pusher backwards and lock it at the stop position at the rear of the tool, this will open the movable hold down



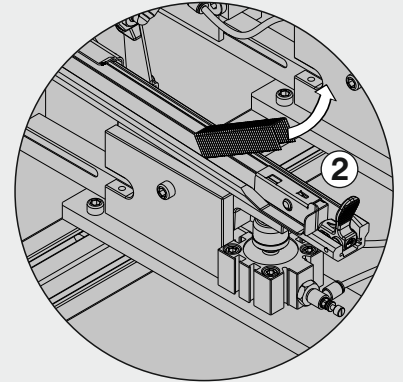
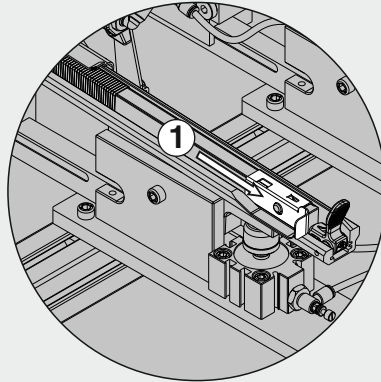
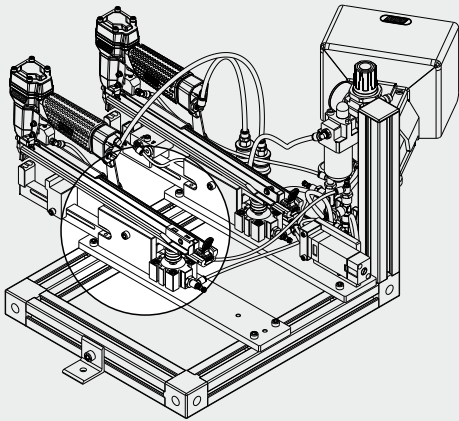
2 - Load staples



3 - Release the slider

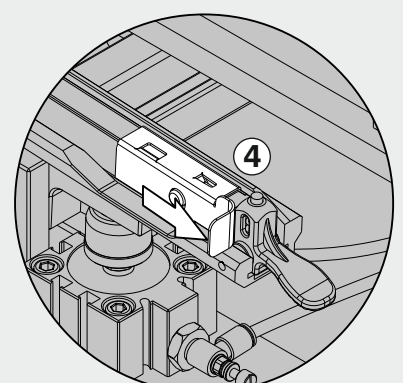
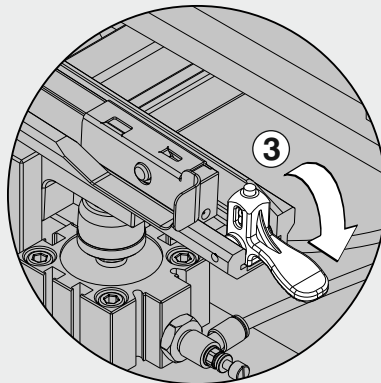
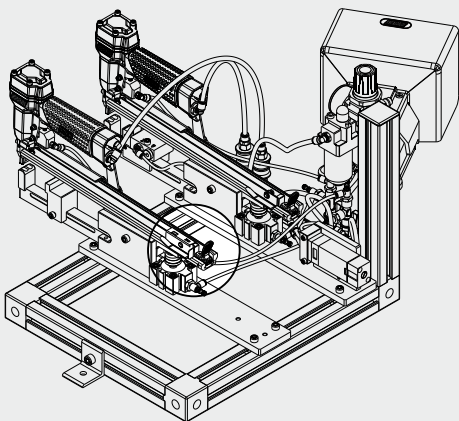
Jam-clearing

In case of jamming proceed as follow:



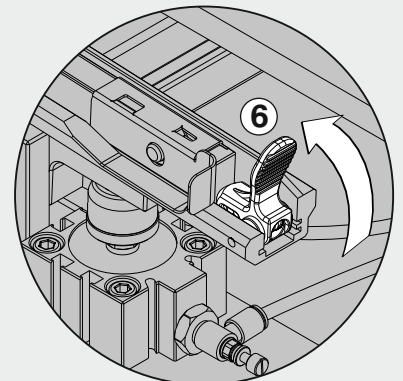
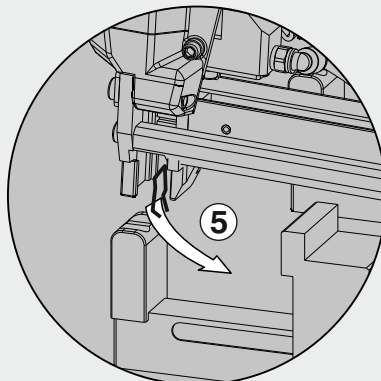
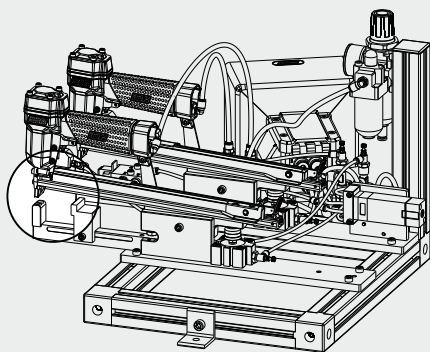
1 - Pull the pusher all the way back and lock it.

2 - Remove the staple from magazine.



3 - Open the slider closing trigger.

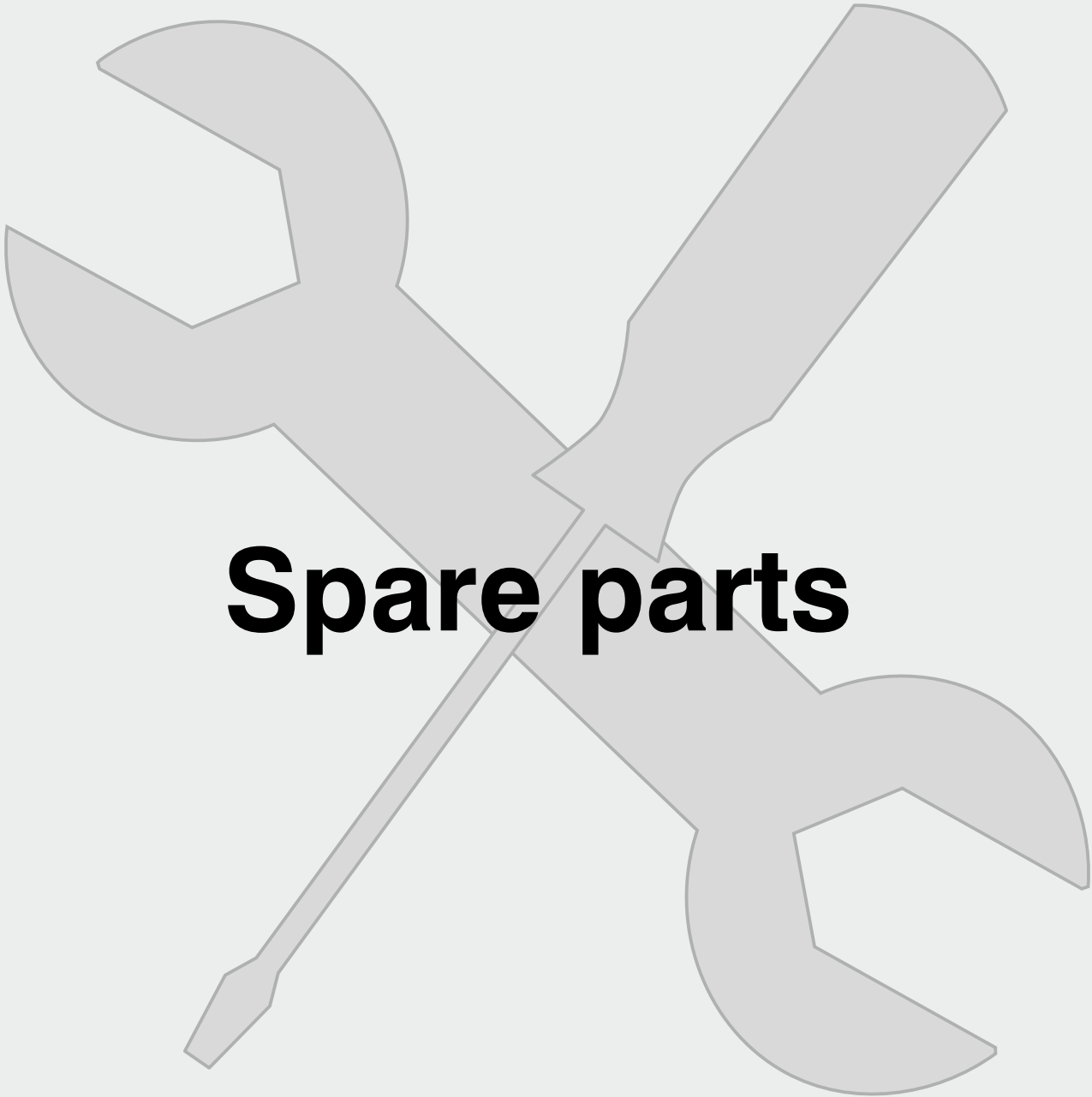
4 - Pull the slider all the way back by pulling the pusher further backwards and hold it.



5 - Pull out the jammed staple from the driving channel.

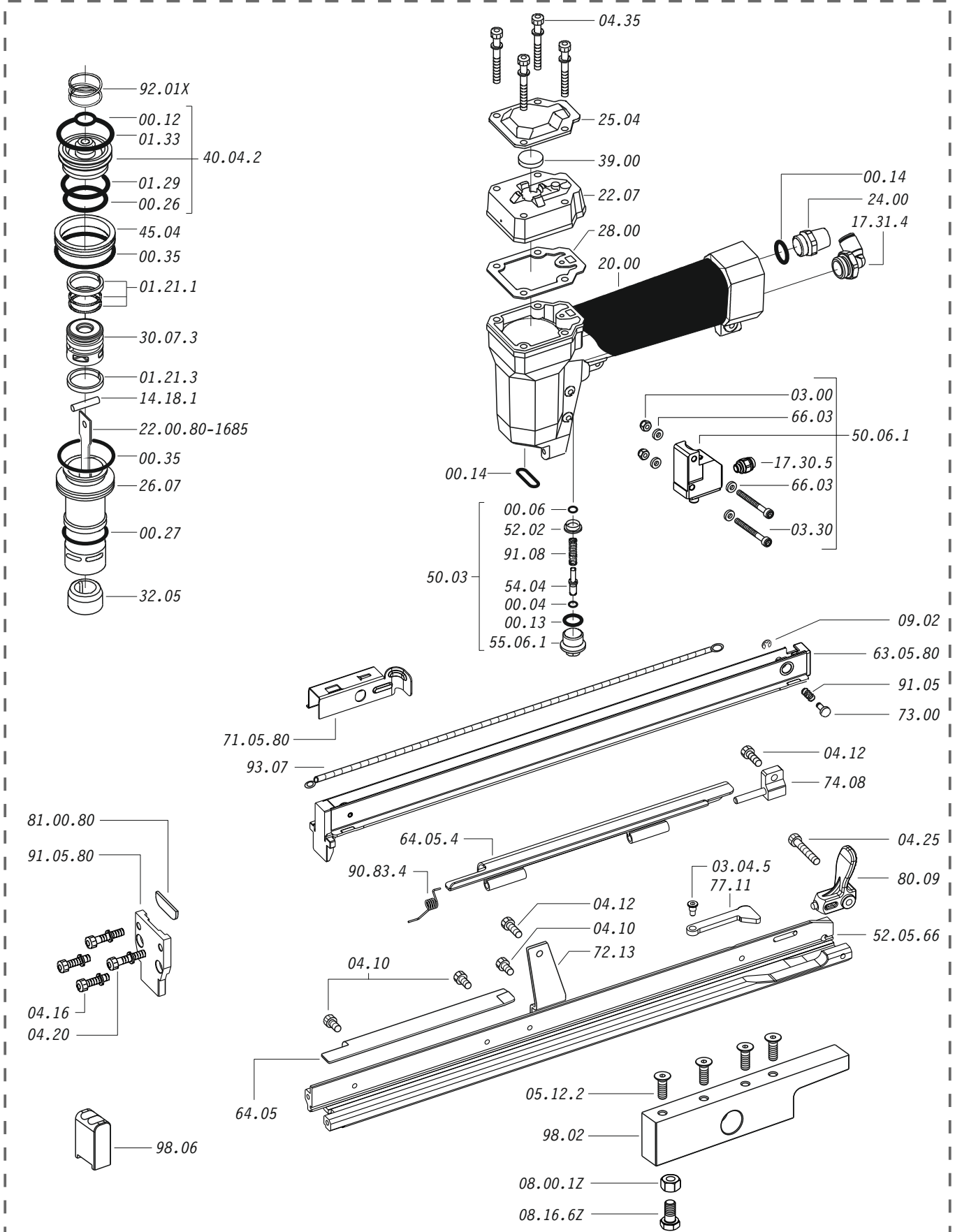
6 - Release pusher and lock closing trigger .

7 - Proceed with loading operation.



Spare parts

Spare parts



80.16 ROC-C

cod. 21560ROC-C

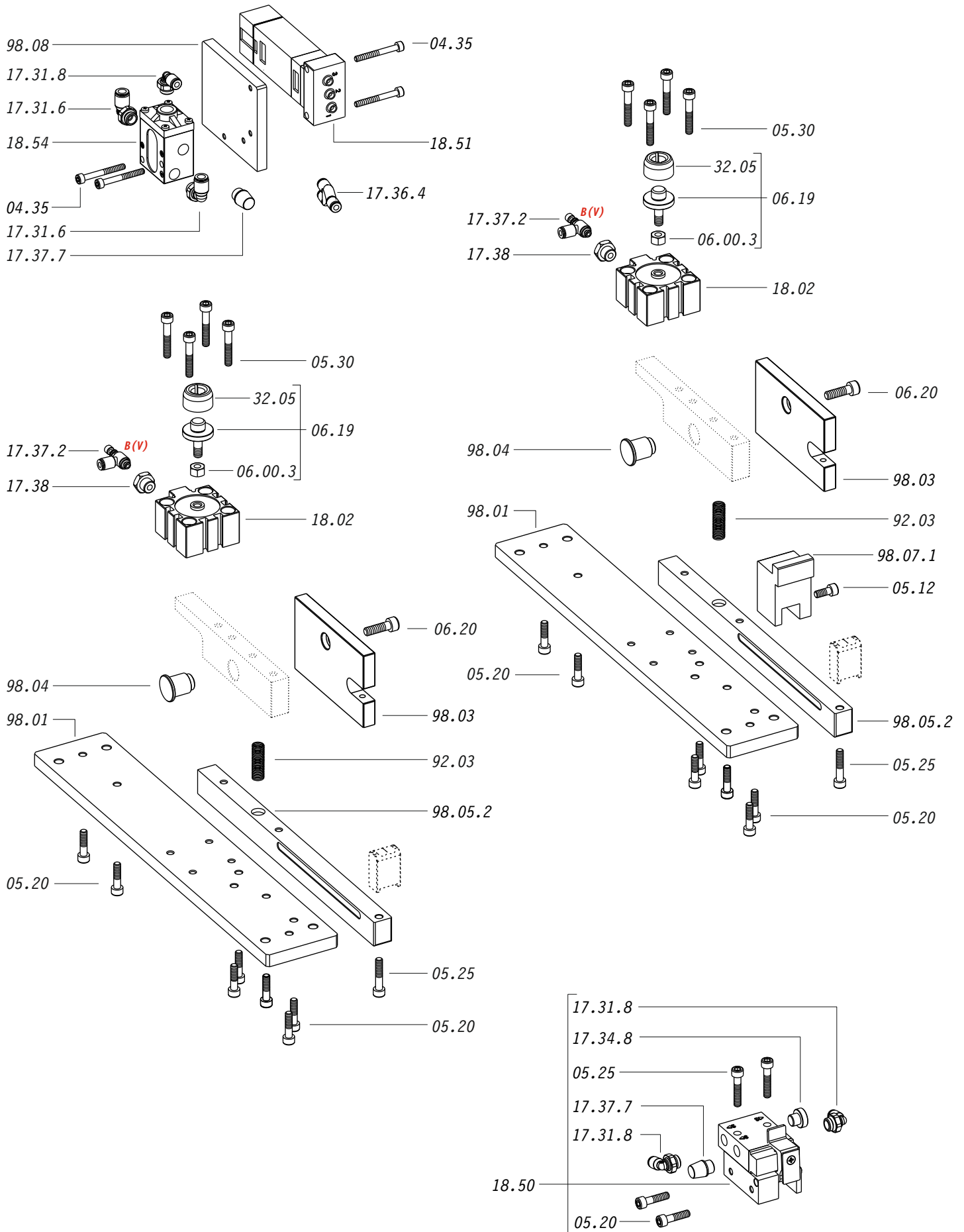
80.16 ROC2

cod. 11560ROC2

Upgrade
number

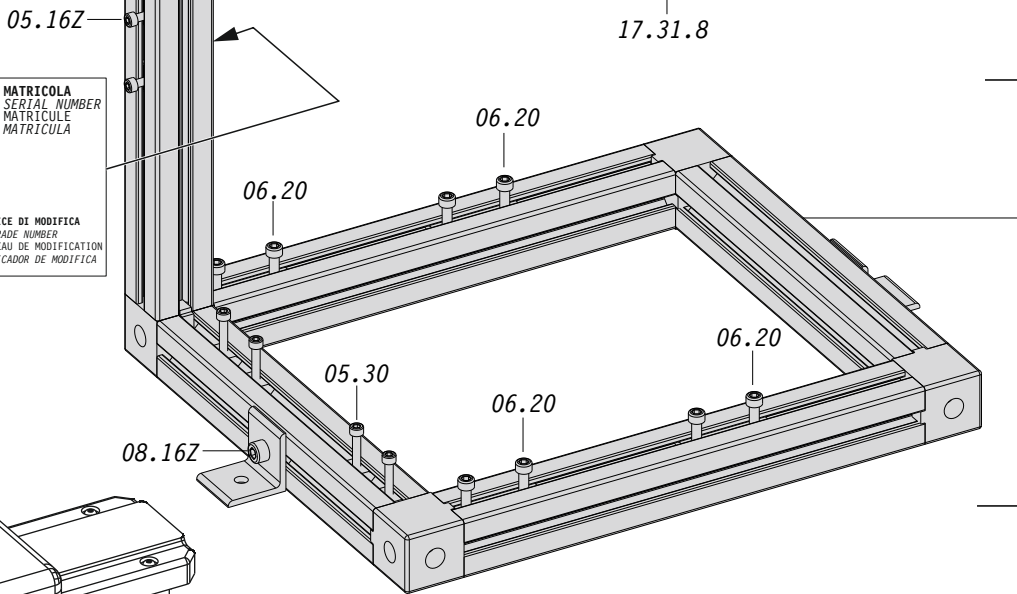
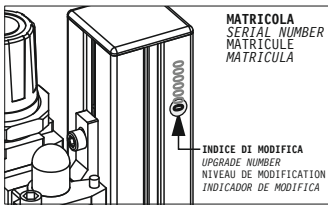
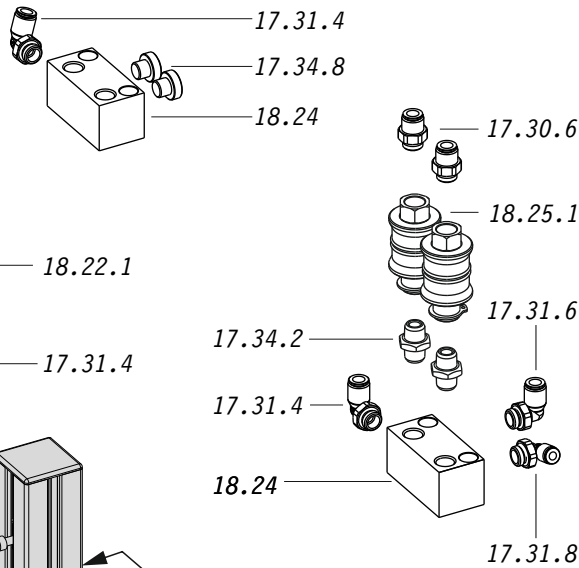
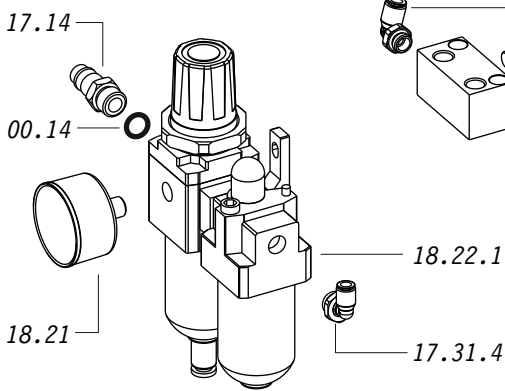
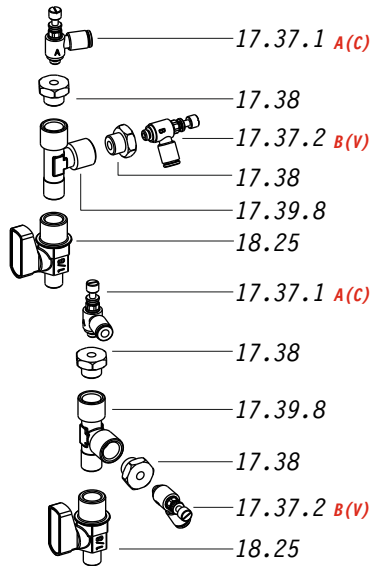
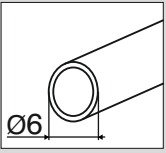
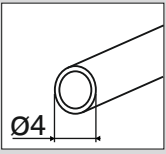
5

Spare parts

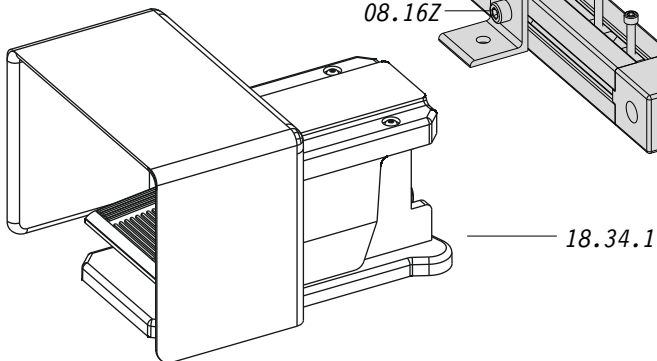


Spare parts

Connexion tubes



98.20



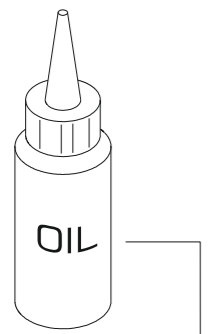
80.16 ROC2

cod. 11560ROC2

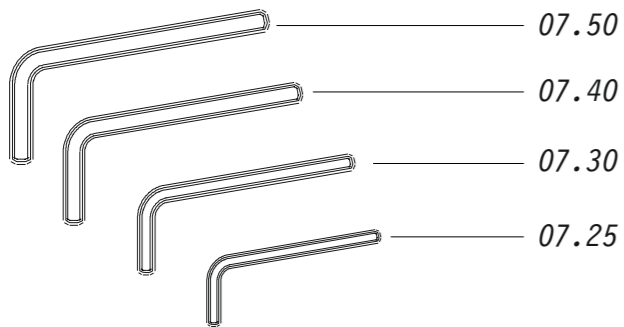
Upgrade number

5

Accessories

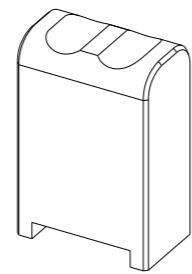


D01

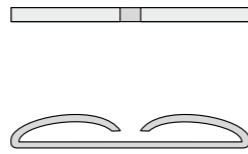


Available anvil

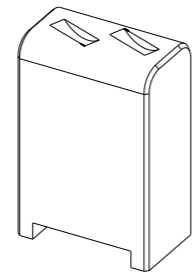
98.06 (standard supplied)



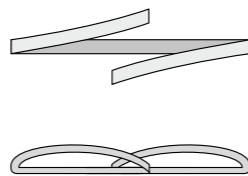
staple



98.06-780 (on request)

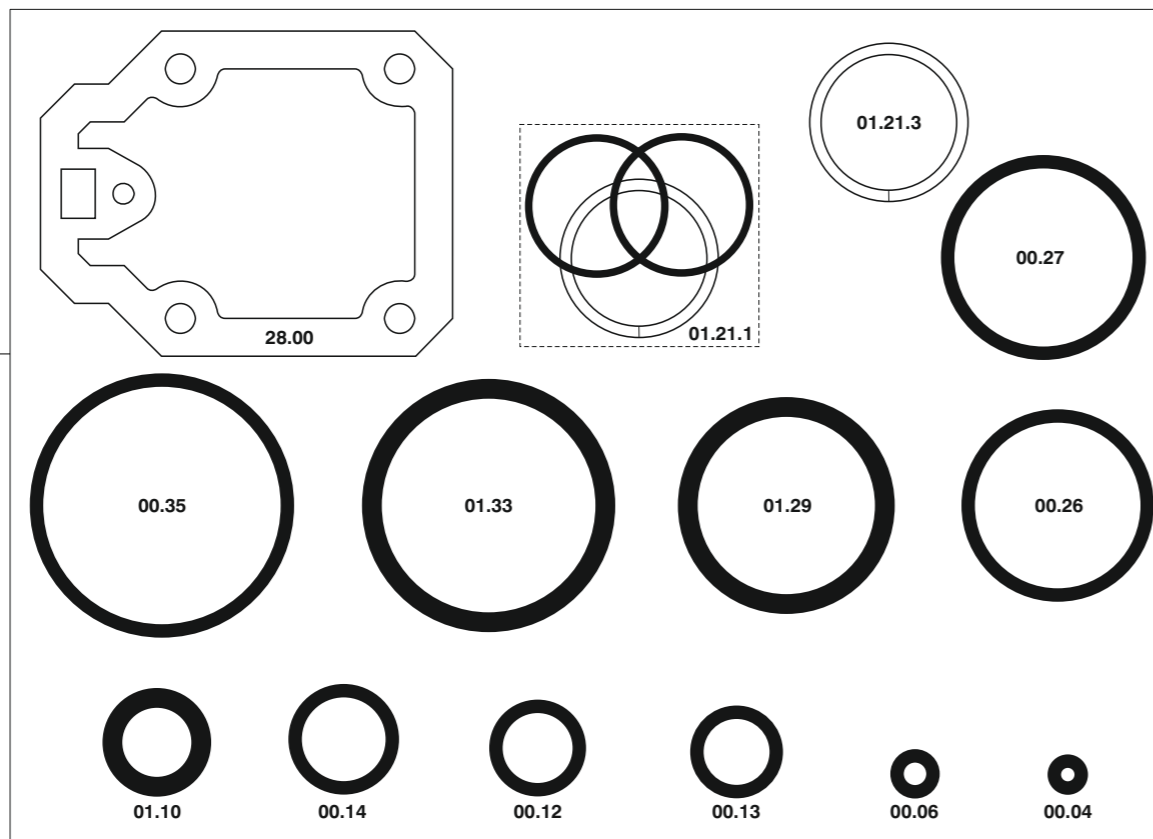


staple



O-Rings

00.70.5



Spare part list

Cod.	Descrizione	Description	Cod.	Descrizione	Description
00.04	O-Ring	O-Ring	18.22.1	Filtro riduttore lubrificatore	Reducer group
00.06	O-Ring	O-Ring	18.24	Distributore	Distributor
00.12	O-Ring	O-Ring	18.25	Valvola a sfera	Ball valve
00.13	O-Ring	O-Ring	18.25.1	Valvola a corsoio	Sliding valve
00.14	O-Ring	O-Ring	18.34.1	Pedale Pneumatico	Pneumatic Foot Lever
00.26	O-Ring	O-Ring	18.50	Gruppo Azionamento	Activation Group
00.27	O-Ring	O-Ring	18.51	Temporizzatore	Timer
00.35	O-Ring	O-Ring	18.54	Valvola Pneumatica	Pneumatic Valve
01.21.1	Guarnizione	Gasket	20.00	Corpo	Body
01.21.3	Guarnizione	Gasket	22.07	Testa	Head
01.29	O-Ring	O-Ring	24.00	Silenziatore	Silencer
01.33	O-Ring	O-Ring	25.04	Deflettore	Exhaust deflector
03.00	Dado	Nut	26.07	Cilindro	Cylinder
03.30	Vite	Screw	28.00	Guarnizione	Gasket
03.04.5	Vite	Screw	30.07.3	Pistone	Piston
04.10	Vite	Screw	32.05	Ammortizzatore	Bumper
04.12	Vite	Screw	39.00	Guarnizione scarico	Exhaust gasket
04.16	Vite	Screw	40.04.2	Valvola completa	Valve ass'y
04.20	Vite	Screw	45.04	Anello valvola	Ring
04.25	Vite	Screw	52.02	Boccola	Bush
04.35	Vite	Screw	50.03	Pulsante Completo	Trigger Valve ass'y
05.12	Vite	Screw	50.06.1	Comando a distanza	Remote control ass'y
05.12.2	Vite	Screw	54.04	Pulsante	Trigger Valve
05.16Z	Vite	Screw	55.06.1	Raccordo	Bush
05.20	Vite	Screw	64.05	Carter	Hold down
05.25	Vite	Screw	64.05.4	Carter mobile	Movable hold down
05.30	Vite	Screw	66.03	Rondella	Washer
06.00.3	Dado	Nut	72.13	Reggicaricatore	Support
06.19	Gruppo ammortizzatore	Bumper ass'y	73.00	Perno	Pin
06.20	Vite	Screw	74.08	Staffa	Support
08.00.1Z	Dado	Nut	77.11	Leva	Lever
08.16Z	Vite	Screw	80.09	Grilletto chiusura	Trigger
08.16.6Z	Vite	Screw	90.83.4	Molla	Spring
07.20	Chiave esagonale	Hex. bar wrench	91.05	Molla	Spring
07.25	Chiave esagonale	Hex. bar wrench	91.08	Molla	Spring
07.30	Chiave esagonale	Hex. bar wrench	92.01X	Molla	Spring
07.40	Chiave esagonale	Hex. bar wrench	92.03	Molla	Spring
09.02	Anello elastico	Elastic ring	93.07	Molla	Spring
14.18.1	Spina	Pin	98.01	Piasta Base	Base Plate
17.14	Attacco Rapido	Air Plug	98.02	Cerniera	Hinge
17.30.6	Racc. "D" 6 - G1/8	Conn. "Straight" 6 - G1/8	98.03	Supporto	Support
17.30.5	Racc. "D" 4 - M5	Conn. "Elbow" 4 - M5	98.04	Perno	Pin
17.31.4	Racc. "L" 6 - G1/4	Conn. "Elbow" 6 - G1/4	98.05.2	Traversa	Staff
17.31.6	Racc. "L" 6 - G1/8	Conn. "Elbow" 6 - G1/8	98.06	Incudine	Anvil
17.31.8	Racc. "L" 4 - G1/8	Conn. "Elbow" 4 - G1/8	98.06-780	Incudine	Anvil
17.34.8	Tappo	Cap	98.07.1	Distanziale regolabile	Adjustable spacer
17.34.2	Nipplo G1/8	Nipple G1/8	98.08	Supporto	Support
17.36.4	Giunzione "Y"	Connector "Y"	98.20	Gruppo Telaio	Frame Body Group
17.37.1	Regolatore (A)	Regulator (A)	22.00.80-1685	Battente	Driver
17.37.2	Regolatore (B)	Regulator (B)	52.05.66	Caricatore	Magazine
17.37.7	Silenziatore	Silencer	63.05.80	Carrello	Slider
17.38	Riduzione	Reduction	71.05.80	Spingipunto	Pusher
17.39.8	Raccordo T	Tee connection	81.00.80	Controtestina	Nose
18.02	Cilindro Pneumatico	Pneumatic Cylinder	91.05.80	Testina	Nose plate
18.21	Manometro	Manometer	D01	Bocchetta olio	Oiler

