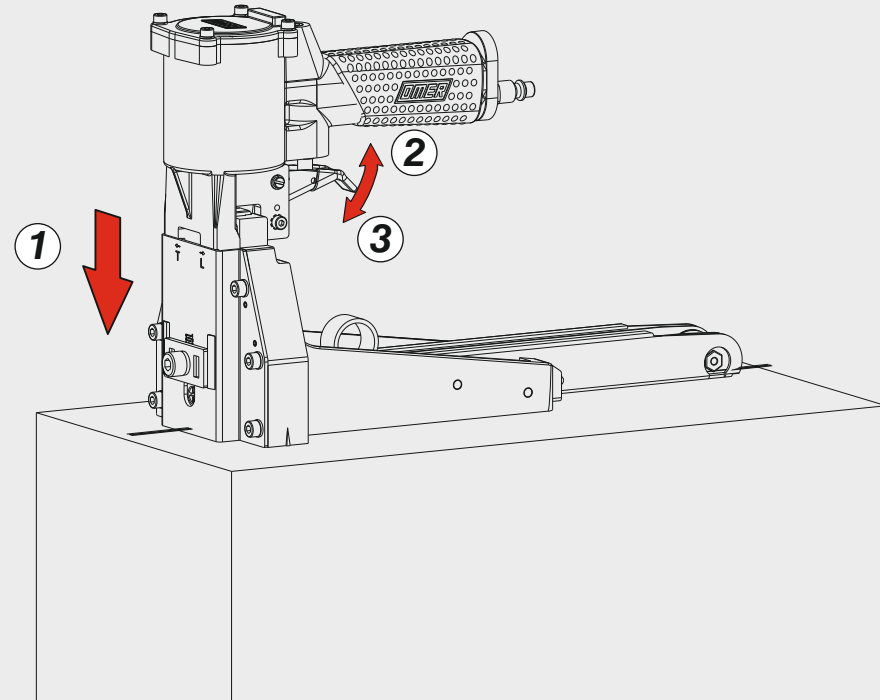


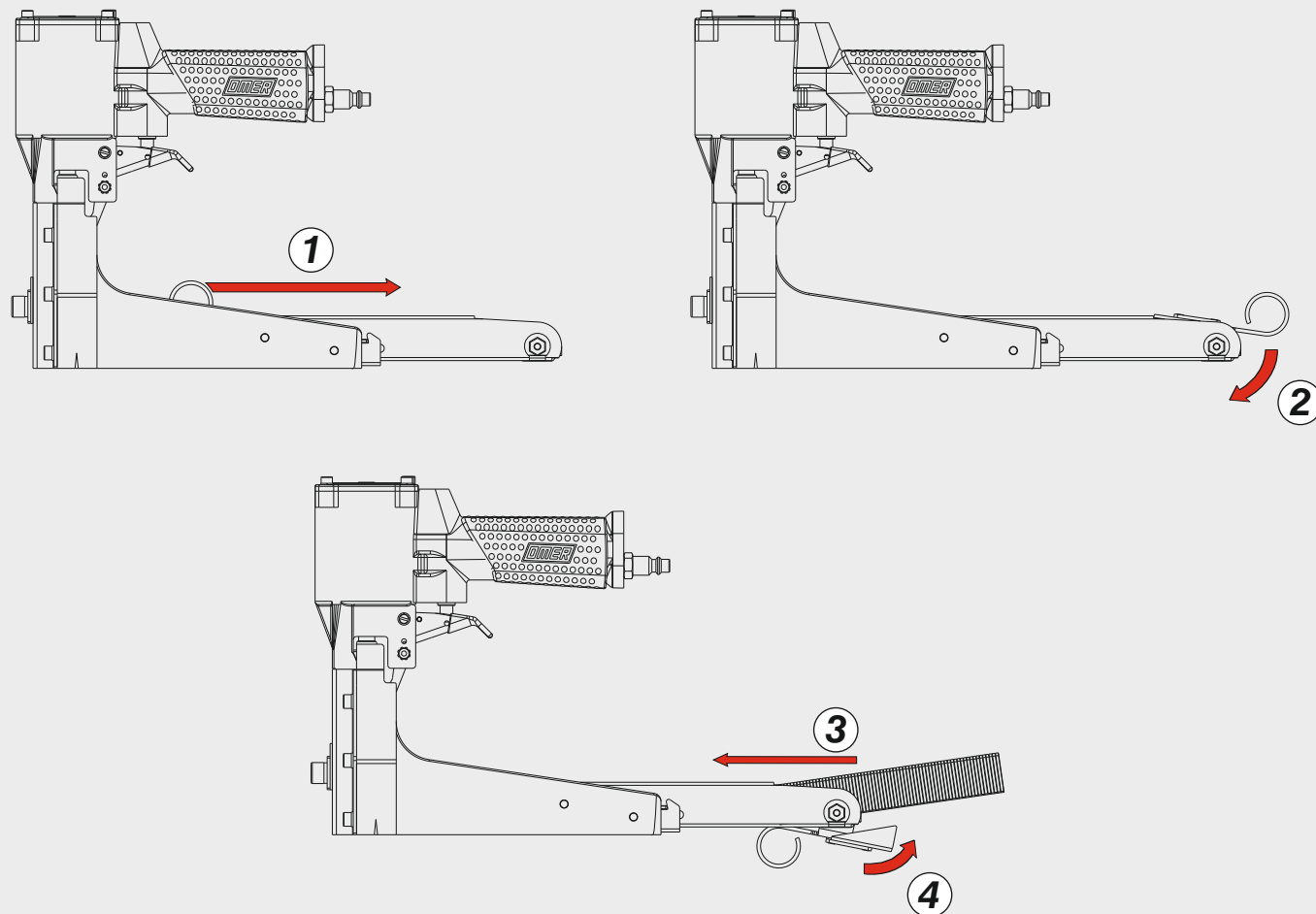
Azionamento - Actuation

Azionamento singolo Single actuation



Caricamento - Loading

Caricamento da dietro Rear load magazine



OMER®

Manuale d'uso, manutenzione e parti di ricambio
Use, maintenance and spare parts manual
Gebrauchsanweisung, Instandhaltungsrichtlinien und Ersatzteile
Manuel d'utilisation, entretien et pièces de rechange
Manual de uso, mantenimiento y repuestos
 Εγχειρίδιο χρήσης, συντήρησης και ανταλλακτικών
Manual de utilização, manutenção e partes sobresselentes
Handleiding voor gebruik, onderhoud en wisselstukken
Brugsanvisning, vedligeholdelse og reservedelsliste

Parte 2
Part 2
Teil 2
Partie 2
Part 2
 2° Μέρος
Parte 2
Deel 2
Del 2



32.22

cod. 19722T

19722T_3222_0 130520 FL



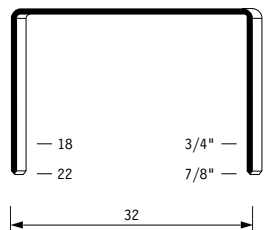
Dati tecnici Technical data Technische daten	Données techniques Datos técnicos Τεχνικά χαρακτηριστικά	Dados técnicos Technische gegevens Teknische data
--	--	---

Misure impiegabili mm Usable lengths mm Gebrauchliche Längen mm	Mesures utilisables mm Medidas que se pueden emplear mm Διαστάσεις σε μμ	Medidas que se podem utilizar mm Te gebruiken engtes in mm Brugbare længder i mm	18 ÷ 22
Capacità caricatore n° punti Magazine capacity No. of fasteners Magazinkapazität Nägel	Capacité chargeur n° de points Capacidad cargador n° puntos Δυνατότητα γεμιστέρα, σπινδύτερος	Capacidade carregador n° pontos Capaciteit magazijn in aantal spijkers Kapacitet af magasin antal klemme	100
Pressione d'esercizio Working pressure Betriebsdruck	Pression de fonctionnement Presión de trabajo Πίεση λειτουργίας ατμ.	Pressao de trabalho Werkdruk Arbejds tryk bar	5 ÷ 7 bar 70 ÷ 100 psi
Consumo aria litri/colpo Air consumption litres/shot Luftverbrauch Liter/Schlag	Consommation air litre/coup Consumo aire-litros/golpe Καταναλοση αερα λ/ξτπημα	Consumo ar litro/golpe Luchtverbruik liter/schot Luftforbrug liter/skud	1,32
Peso kg Weight kg Gewicht kg	Poids kg Peso kg Βαρος κγ	Peso kg Gewicht in kg Vægt kg	2,10
Dimensioni (AxBxH) mm Dimensions mm Größe mm	Dimension mm Dimensiones mm Δυνατότητα γεμιστέρα, σπινδύτερος	Dimencoes mm Afmetingen in mm Dimensioner mm	342x115x222
EN 12549 :1999 ISO 11201 :1995			
Pressione sonora in pos. operatore Sound pressure at the workstation Lärmintensität am Arbeitsplatz	Pression acoustique près de l'opérateur Presión sonora en posición encargado Ακουστική πίεση στη θέση χειριστού	Intensidade sonora perto do operador Geluidssterkte op de werkplek Lydstyrke på operatorposten	84,3 dB(A)
EN 12549 :1999 ISO 3744 :1994			
Potenza sonora emessa Emitted sound power Ausgestrahlte Lärmintensität	Puissance acoustique émise Potencia sonora emitida Ακουστική ισχυ	Potência sonora emitida Uitgestraalde geluidssterkte Udsendt lydstryke	93,7 dB(A)
EN 28662 :1992 ISO 5349 :1986 ISO 8662 -11			
Valore medio ponderato di vibrazione sull'impugnatura Weighted mean value of vibration on the grip Mitteler Vibrationswert, am Griff gemessen	Valeur moyenne pondérée de vibration mesurée sur la poignée Valor medio ponderado de vibracion medida en la empunadura Μεσος ορος μετρησης κραδασιμον στη χειρολαβη	Valor medio ponderado de vibracao medida no punho Gewogen gemiddelde vibratiewaarde Middelvaerdi af vibrationer på handtaget	<2,5 m/s²

Tipo di punto
Type of fastener
Befestigungselement
Type d'agrafe
Tipo de punto
Τυπος καρφιου
Tipo de ponto
Type nietjes
Tilspændingstype

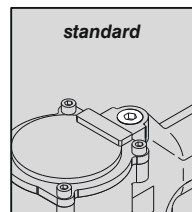
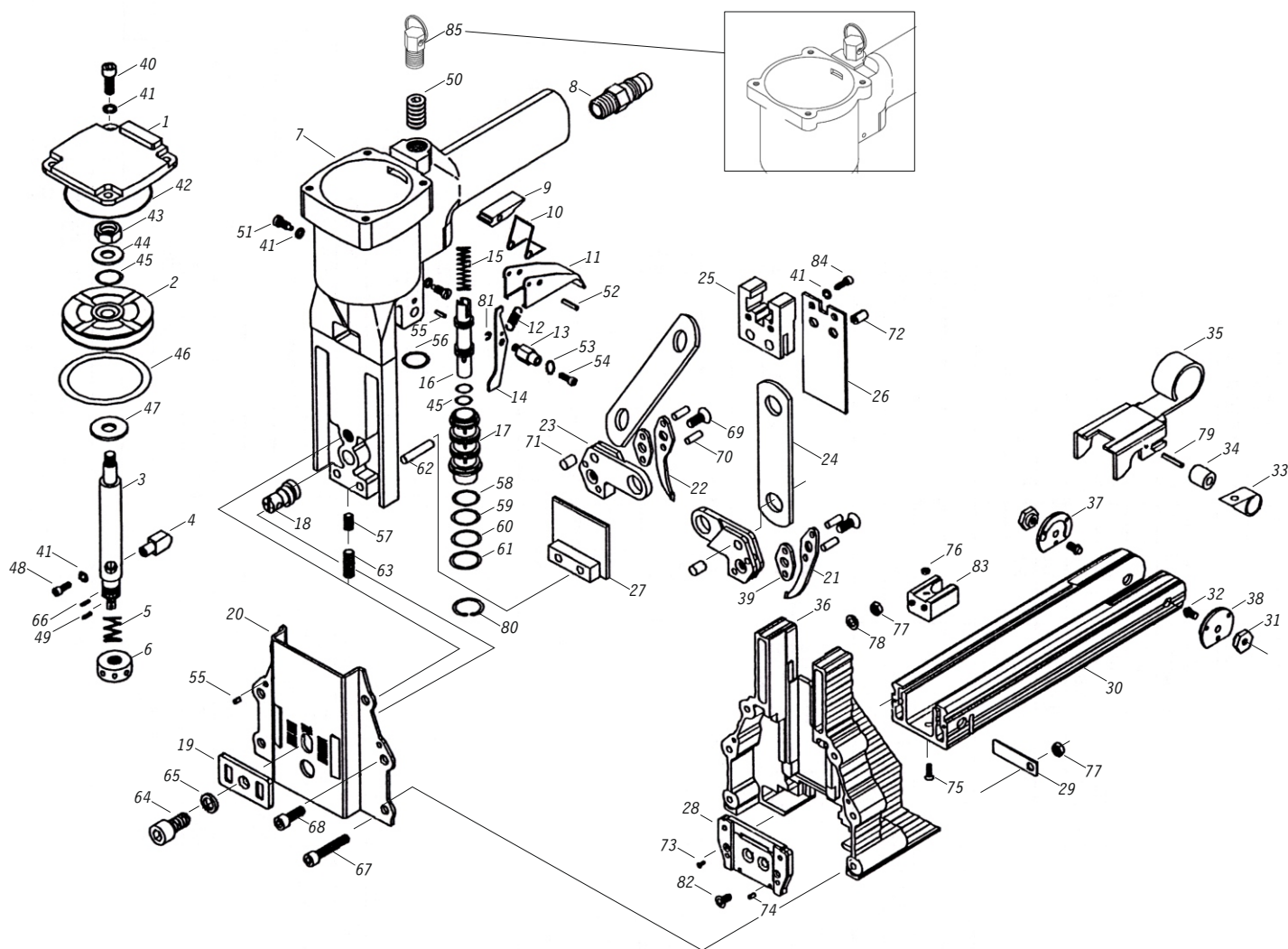
32

0,80x1,90



Crown: 1.260" (1-1/4")
Gauge: 16,5

Parti di ricambio - Spare parts - Ersatzteile - Pièces de rechange - Piezas de repuesto
 Ανταλλακτικά - Partes sobresselentes - Wisselstukken - Reservedele

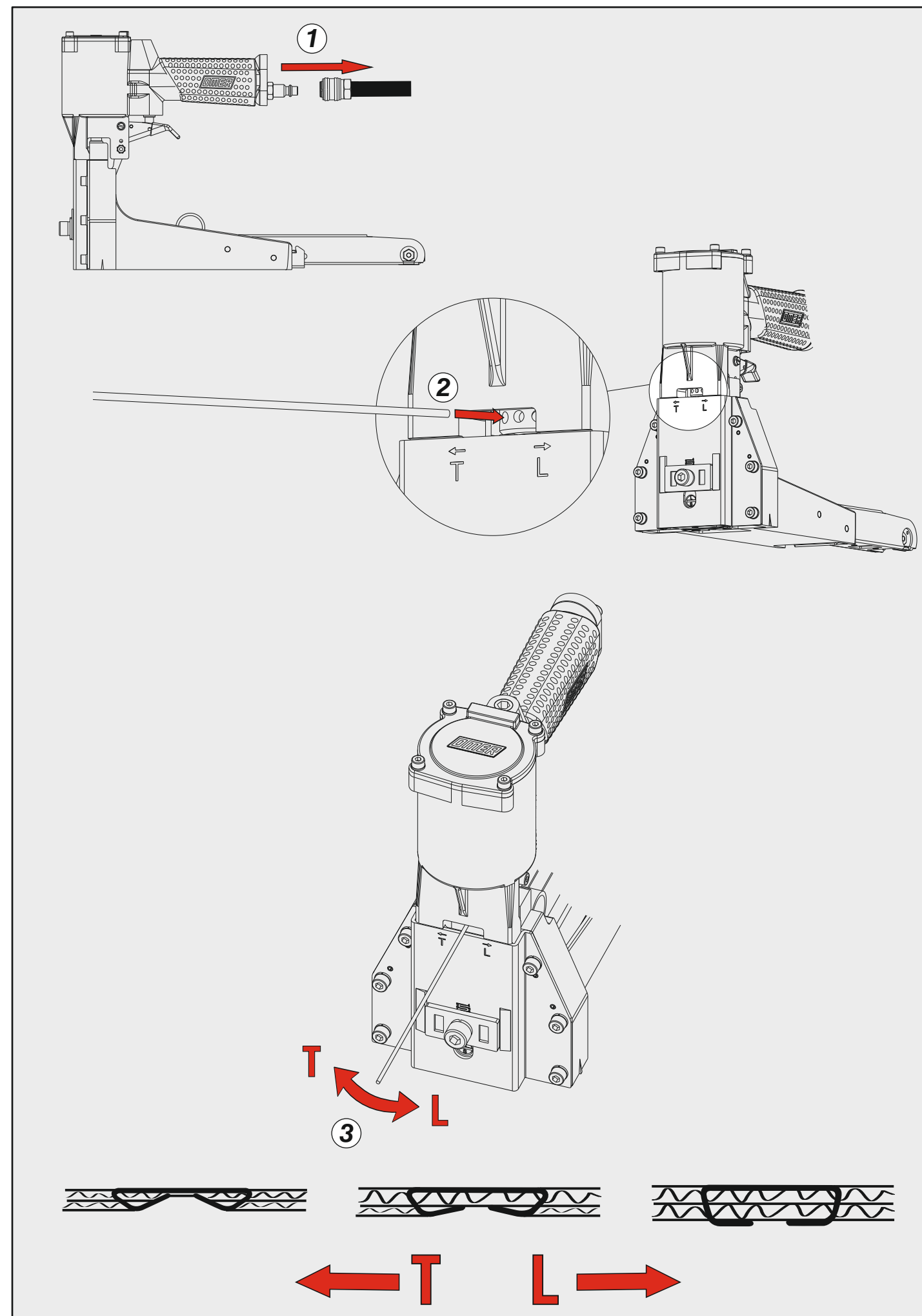


Kit O-Ring CRTORK1

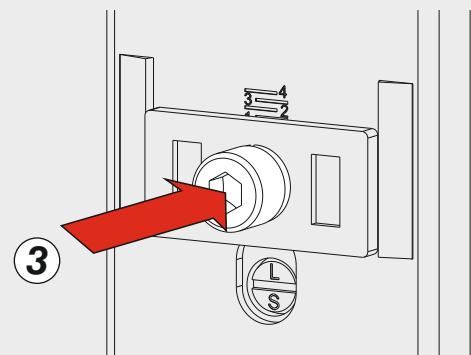
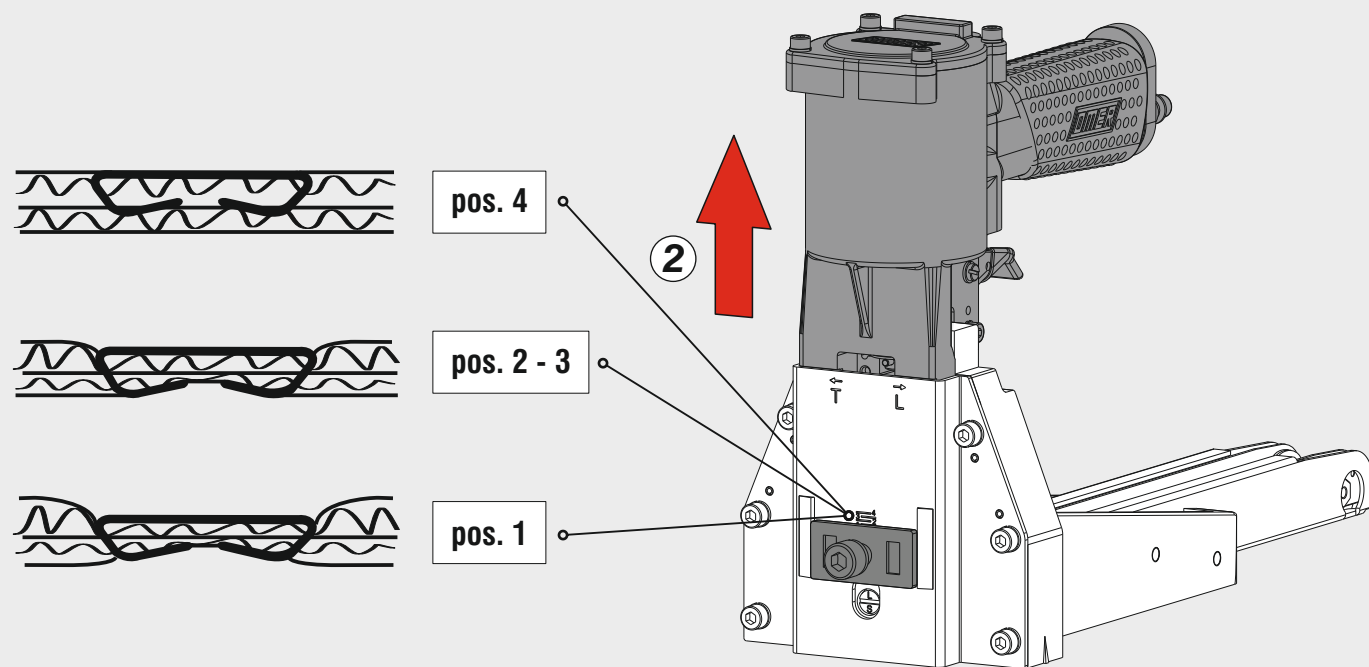
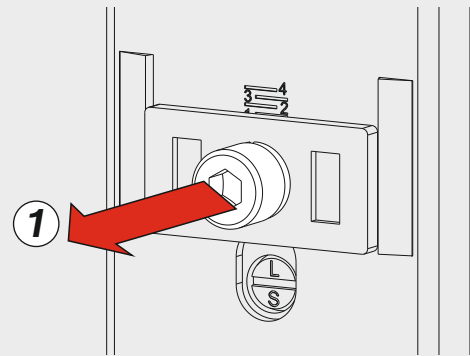
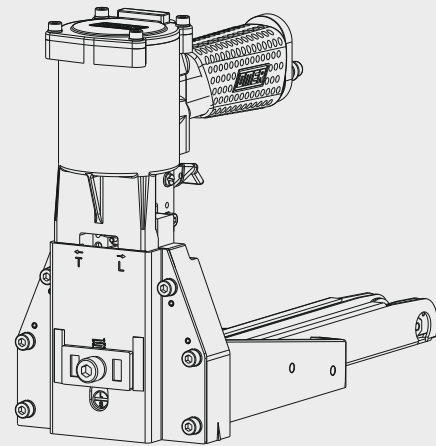
32.22

cod. 19722T

Regolazione della chiusura - Clinching adjustment

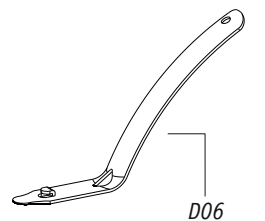
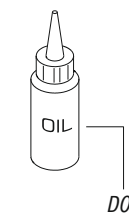


Regolazione di profondità - Depth adjustment



Ref. No.	Part No.	Description	Ref. No.	Part No.	Description	Ref. No.	Part No.	Description
1	35P001N	Cap	32	35P032	Rod	63	35P063	Bolt
2	35P002N	Piston	33	35P033	Spring	64	35P064	Bolt
3	35P003N	Piston rod	34	35P034	Roller	65	35P065	Spring washer
4	35P004	Block	35	32P035	Pusher unit	66	35P085	Plastic pin
5	35P005	Spring	36	35P036	Magazine seat	67	35P067	Bolt
6	35P006	Collar	37	35P037	Right pusher guide	68	35P068	Bolt
7	35P007N	Body	38	35P038N	Left pusher guide	69	35P069	Screw
8	35P008	Air plug	39	35P039	Washer	70	35P070	Pin
9	35P009	Block	40	35P040N	Bolt	71	35P071	Pin
10	35P010	Spring	41	35P041	Spring washer	72	35P072	Spring pin
11	35P011	Trigger	42	35P042N	O-ring	73	35P073	Screw
12	35P012	Spring	43	35P043	Nut	74	35P074	Spring pin
13	35P013	Rod	44	35P044	Washer	75	35P075	Screw
14	35P014	Trigger control	45	35P045	O-ring	76	35P076	Lock nut
15	35P015	Spring	46	35P046N	O-ring	77	35P077	Lock nut
16	35P016	Valve	47	35P047	Washer	78	35P078	Washer
17	35P017N	Tube	48	35P048	Bolt	79	35P079	Spring pin
18	35P018	Adjusting rod	49	35P049	Spring pin	80	35P080N	C-ring
19	35P019	Adjusting plate	50	35P050	Bolt	81	35P081	E-ring
20	35P020	Front plate	51	35P051	Trigger screw	82	35P082N	Screw
21	35P0212	Right jaw	52	35P052	Spring pin	83	35P083N	Bracket
22	35P0222	Left jaw	53	35P053	Aoutside teeth washer	84	35P086	Bolt
23	35P023	Jaw seat	54	35P054	Bolt	85	19B091	Counter balance hange
24	35P024	Plate	55	35P055	Spring pin		07.25	Hex. Bar wrench
25	35P025	Block	56	35P056	O-ring		07.30	Hex. Bar wrench
26	32P026N	Driver	57	35P084	Heli coil		07.40	Hex. Bar wrench
27	35P027	Cover unit	58	35P058	O-ring		D01	Oiler
28	32P028N	Driver guide unit	59	35P059	O-ring		D06	Staple remover
29	35P029	Plate	60	35P060	O-ring			
30	32P030N	Magazine	61	35P061	O-ring			
31	35P031	Rod nut	62	35P062	Rod			

Dotazioni - Equipment - Ausrüstung - Équipements - Equipamiento - Παρεχόμενα Equipamento - Uitrusting - Udstyr



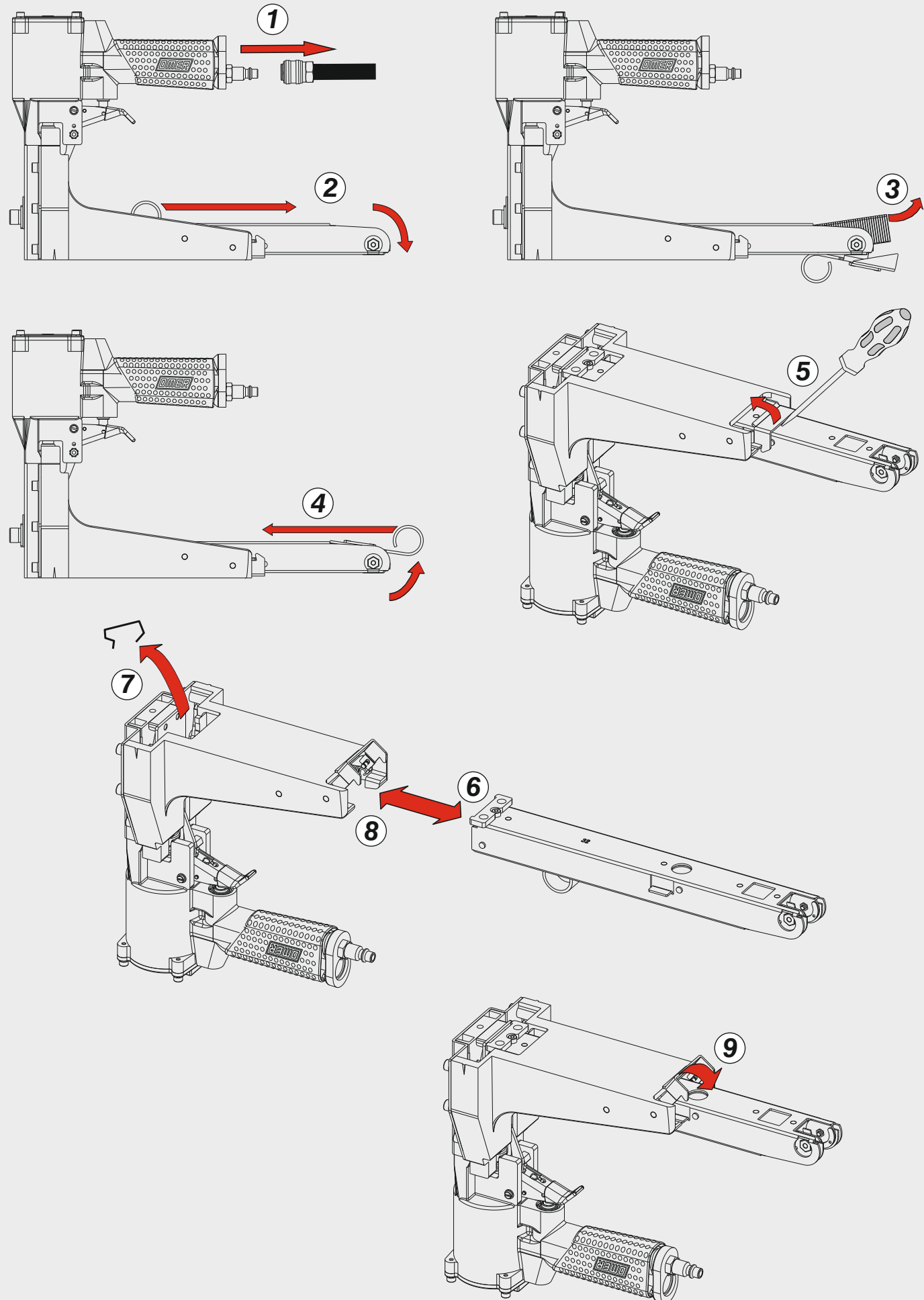
32.22

cod. 19722T

Indice di modifica
Upgrade number

0

Disinceppamento - Jam clearing



Regolazione lunghezza graffa - Staple length adjustment

