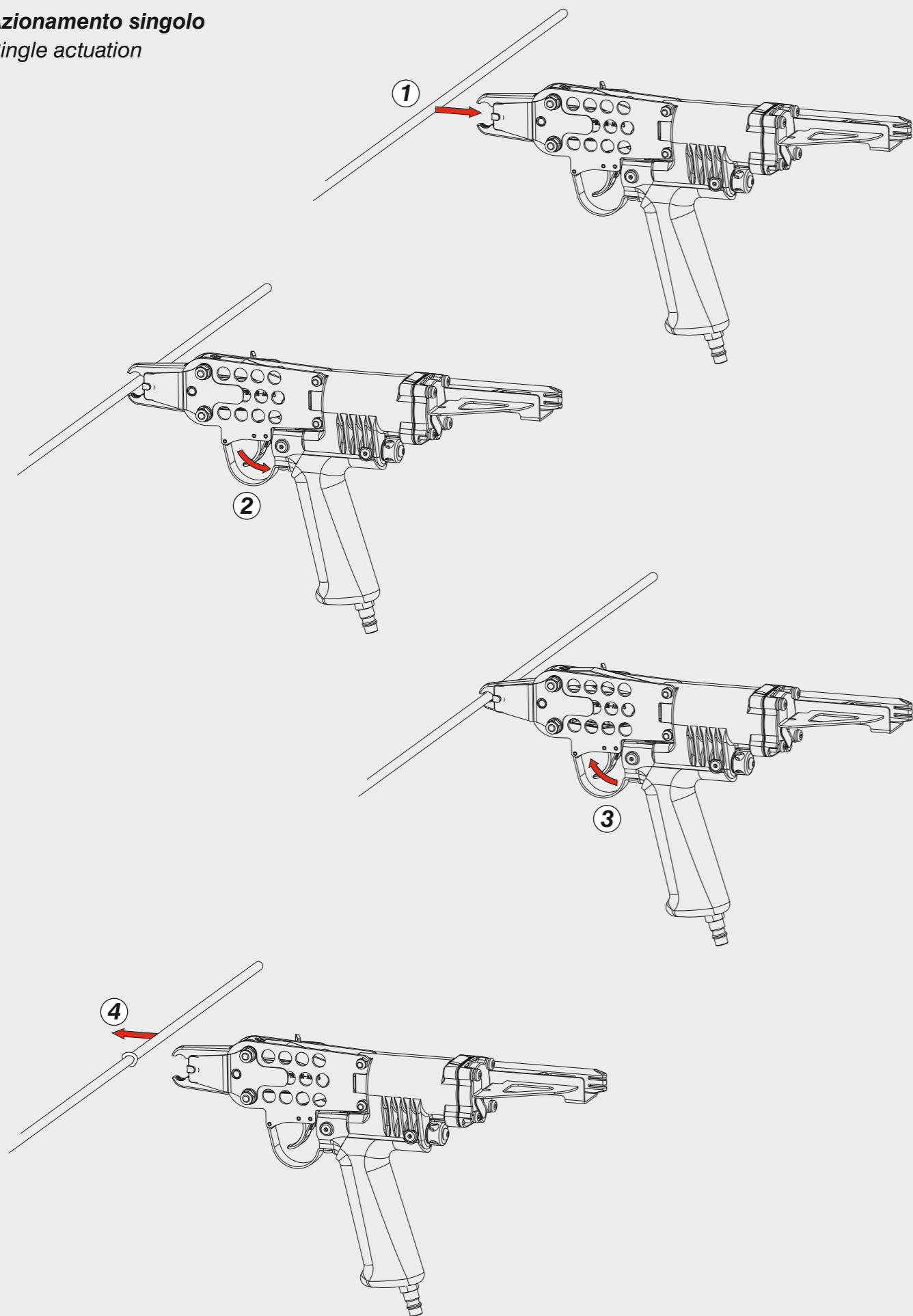


Azionamento singolo
Single actuation



Manuale d'uso, manutenzione e parti di ricambio	Parte 2
Manual for use, maintenance and spare parts	Part 2
Bedienungs- und Wartungshandbuch sowie Ersatzteilleiste	Teil 2
Mode d'emploi, de maintenance et pièces de rechange	Partie 2
Manual de uso, mantenimiento y recambios	Part 2
Εγχειρίδιο χρήσης, συντήρησης και ανταλλακτικών	Μέρος 2
Manual de uso, manutenção e peças sobresselentes	Parte 2
Handleiding voor gebruik, onderhoud en wisselstukken	Deel 2
Kullanım, bakım ve yedek parça kılavuzu	Kısım 2

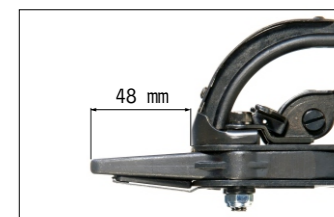


HR23 M8-11

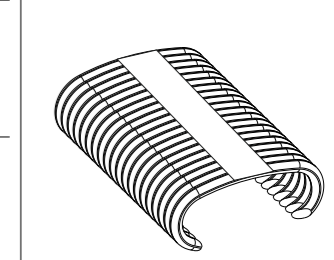
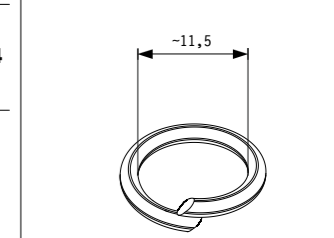
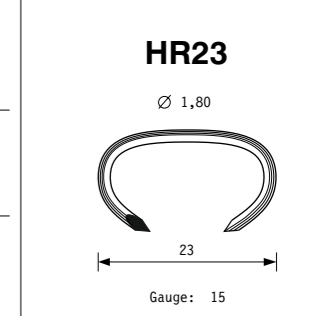
cod. 192HR23MA4-11



Dati tecnici Technical data Technische Daten	Caractéristiques techniques Datos técnicos Τεχνικά χαρακτηριστικά	Dados técnicos Technische gegevens Teknik veriler
Misure impiegabili mm Lengths mm Verwendbare Nagellänge mm	Dimensions utiles mm Medidas de longitud mm Μήκος Αναλώσιμου - mm	Medidas utilizáveis mm Toepasbare afmetingen mm Boy mm
Capacità caricatore n° punti Magazine capacity Magazinkapazität Nägel	Capacité chargeur n° de points Capacidad cargador n° puntos Δωνατοτητα γεμιστερα	Capacidade carregador n° pontos Capaciteit magazijn in aantal spijkers Dergi kapasitesi
Pressione d'esercizio Operating pressure Betriebsdruck	Pression d'exercice Presión de servicio Πίεση λειτουργίας	Pressão de serviço Werkdruk Çalışma basıncı
Consumo aria litri/colpo Air consumption litres/stroke Luftverbrauch Liter/Schuss	Consumation d'air litres/coup Consumo aire litros/golpe Κατανάλωση αέρα - λίτρα/βολή	Consumo ar litros/disparo Luchtverbruik liter/slag Litre/vuruş hava tüketimi
Peso kg Weight kg Gewicht kg	Poids kg Peso kg Βάρος - kg	Peso kg Gewicht in kg Ağırlık kg
Dimensioni mm Dimensions mm Abmessungen mm	Dimensions mm Dimensiones mm Διαστάσεις mm	Dimensões mm Afmetingen mm Boyutlar mm
EN 12549 :1999 Pressione sonora in pos. operatore Sound pressure in operator's position Schalldruck am Arbeitsplatz	Pression sonore poste Opérateur Presión sonora en la pos. del operador Ηχητική πίεση στη θέση του Χειριστή	Pressão sonora na posição Operador Geluidsdruk op de werkplaats Operatör pozisyonunda ses basıncı
EN 12549 :1999 Potenza sonora emessa Sound power emitted Emittierte Schalleistung	Puissance sonore émise Potencia sonora emitida Εκπεμπόμενη ηχητική ισχύς	Potência sonora emitida Geëmitteerd geluidsvermogen Çıkan ses gücü (ses desibel)
ISO 8662-11 :1999 Emissione vibratoria sull'impugnatura Vibratory emissions on handle Vibrationsemission am Griff	Émission vibratoire sur la prise en main Emisión de vibraciones en la empuñadura Εκπεμπόμενες δονήσεις στη λαβή	Emissão vibratória na empunhadura Trillingsemissie op de handgreep Tutamak üzerinde vibrasyon emisyonları



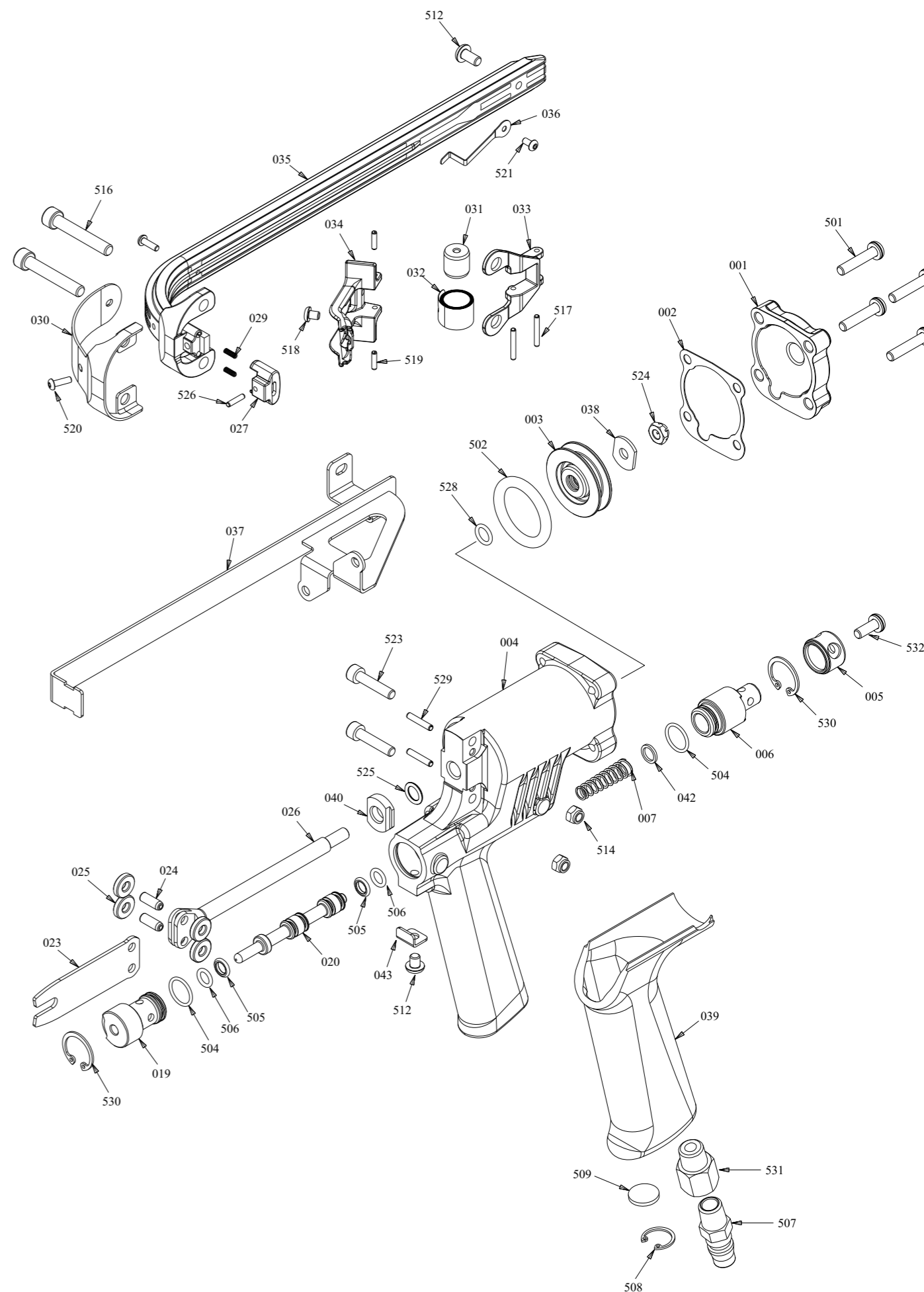
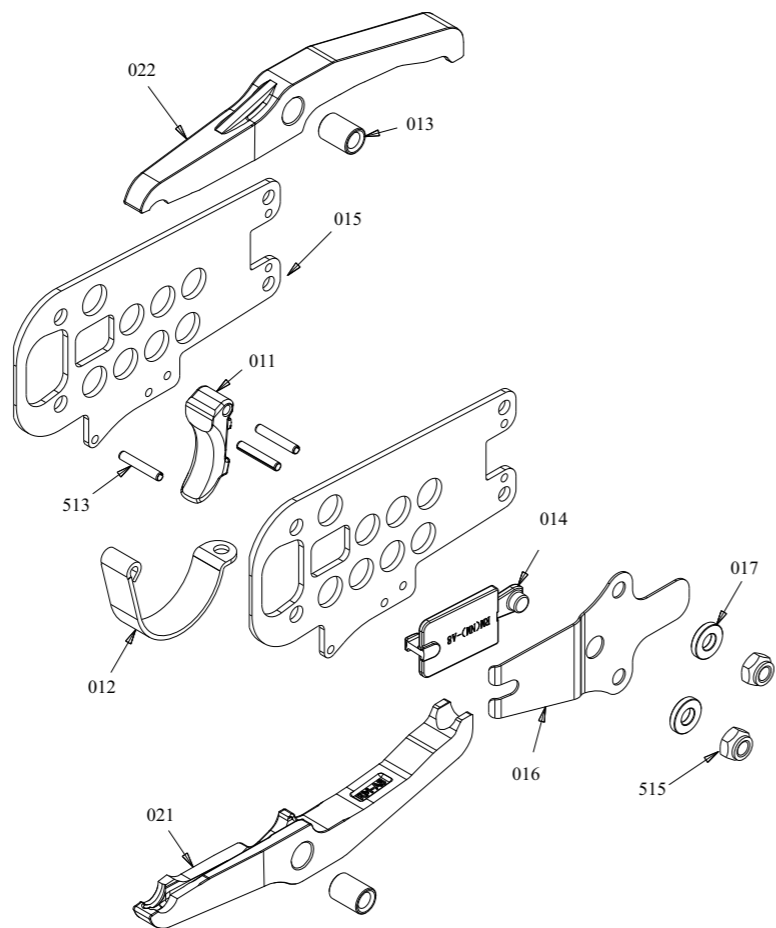
Tipo di punto
Type of fastener
Befestigungsmittel
Type de rivet
Tipo de punto
Τύπος αναλώσιμου
Tipo de agrafó
Type nietjes
Zimba ve çivi tipleri



192HR23MA4-11_HR23M8-11_AA_rev20_21/09/2020_IV

Ref. No.	Part No.	Descrizione	Description
----------	----------	-------------	-------------

001	2HR23M-D001	Testa	Head
002	2HR23M-A002	Guarnizione testa	Head gasket
003	2HR20M-A003	Pistone	Piston
004	2HR23M-D004	Corpo	Body
005	2HR23M-A005	Deflettore	Deflector
006	2HR23M-D006	Valvola posteriore	Rear Valve
007	2HR23M-D007	Molla	Spring
011	2HR23M-D011	Grilletto	Trigger
012	2HR23M-A012	Protezione grilletto	Trigger guard
013	2HR23M-A013	Boccola	Bushing
014	2HR23M-A014	Blocco-punti	Latch
015	2HR23M-C015	Piastra laterale	Side Plate
016	2HR23M-C016	Molla blocco punti	Spring Latch
017	2HR23M-A017	Rondella	Washer
019	2HR23M-D019	Valvola anteriore	Front Valve
020	2HR23M-D020	Distanziale	Spacer
021	2HR23M-N0211M	Ganascia inferiore	Jaw, Lower
022	2HR23M-N0221M	Ganascia superiore	Jaw, Upper
023	2HR23M-A023M	Battente	Blade
024	2HR23M-A024	Perno	Pin
025	2HR23M-A025M	Bussola	Roller
026	2HR23M-A026	Stelo pistone	Piston Rod
027	2HR23M-A027	Nasello	Magazine shoe
029	2HR20M-A029	Molla	Spring
030	2HR23M-A030	Protezione	Guard
031	2HR23M-A031	Bussola	Roller
032	2HR23M-A032	Molla	Spring
033	2HR23M-A033	Supporto	Bracket
034	2HR23M-D034	Spingipunto	Pusher
035	2HR23M-A035	Caricatore	Magazine
036	2HR23M-A036	Molla	Clip
037	2HR23M-A037	Supporto caricatore	Rail Unit
038	2HR23M-A038	Rondella	Washer
039	2HR23M-B039	Grip	Grip
040	2HR23M-A040	Ammortizzatore	Bumper
042	2HR23M-D042	Rondella	Washer
043	2HR23M-D043	Fermo grilletto	Trigger block
501	2HR23M-A501	Vite	Screw
502	2HR23M-A502	O-Ring	O-Ring
504	2HR23M-C504	O-Ring	O-Ring
505	2HR23M-D505	D-Ring	D-Ring
506	2HR23M-C506	O-Ring	O-Ring
507	2HR23M-A507	Attacco rapido	Air Plug
508	2HR23M-A508	Anello elastico	C-Ring
509	2HR23M-A509	Silenziatore	Silencer
512	2HR23M-B512	Vite	Screw
513	2HR23M-A513	Perno	Spring Pin
514	2HR23M-A514	Dado	Nut
515	2HR23M-A515	Dado	Nut
516	2HR23M-B516	Vite	Screw
517	2HR23M-A517	Perno	Spring Pin
518	2HR23M-A518	Vite	Screw
519	2HR23M-A519	Perno	Spring Pin
520	2HR23M-A520	Vite	Screw
521	2HR23M-A521	Vite	Screw
522	2HR23M-A521	Vite	Screw
522	2HR23M-B522	Vite	Screw
523	2HR23M-A523	Vite	Screw
524	2HR23M-A524	Dado	Nut
525	2HR23M-A525	O-Ring	O-Ring
526	2HR23M-C526	Perno	Spring Pin
528	2HR23M-C528	O-Ring	O-Ring
529	2HR23M-C529	Perno	Spring Pin
530	2HR23M-C530	C-Ring	C-Ring
532	2HR23M-D532	Vite	Screw



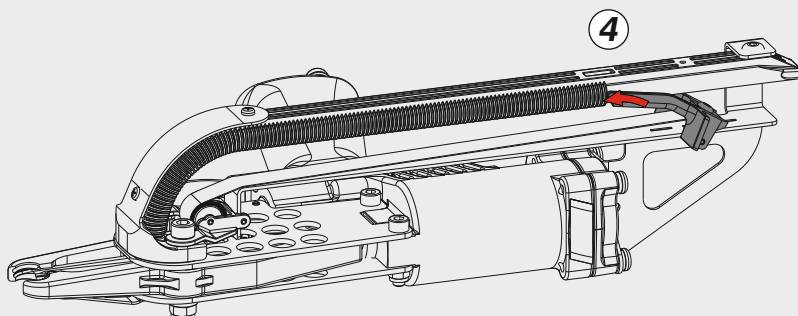
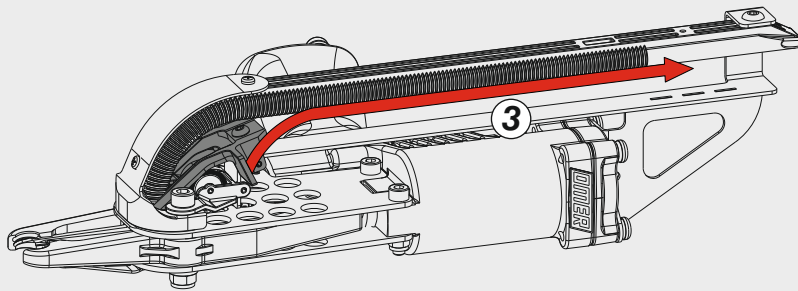
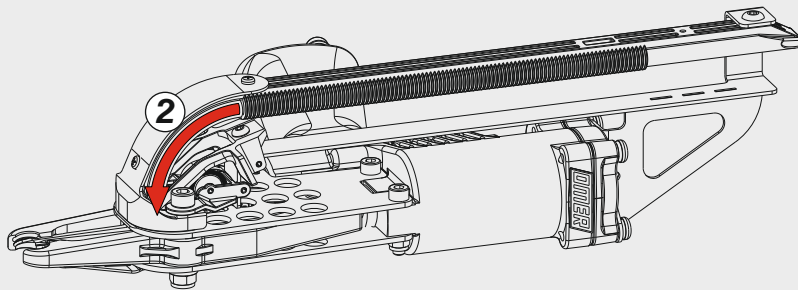
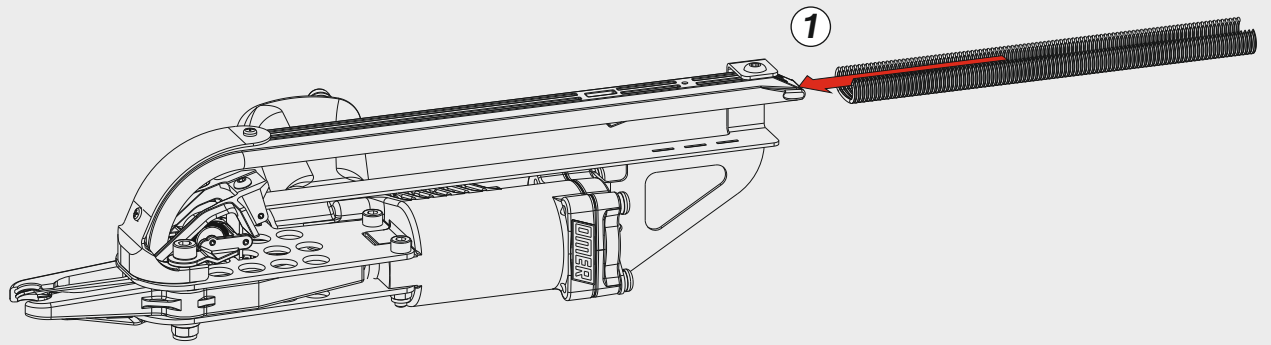
Parti di ricambio - Spare parts - Ersatzteile - Pièces de rechange - Recambios
Αναλλακτικά - Partes sobresselentes - Wisselstukken - Yedek parçalar

HR23 M8-11

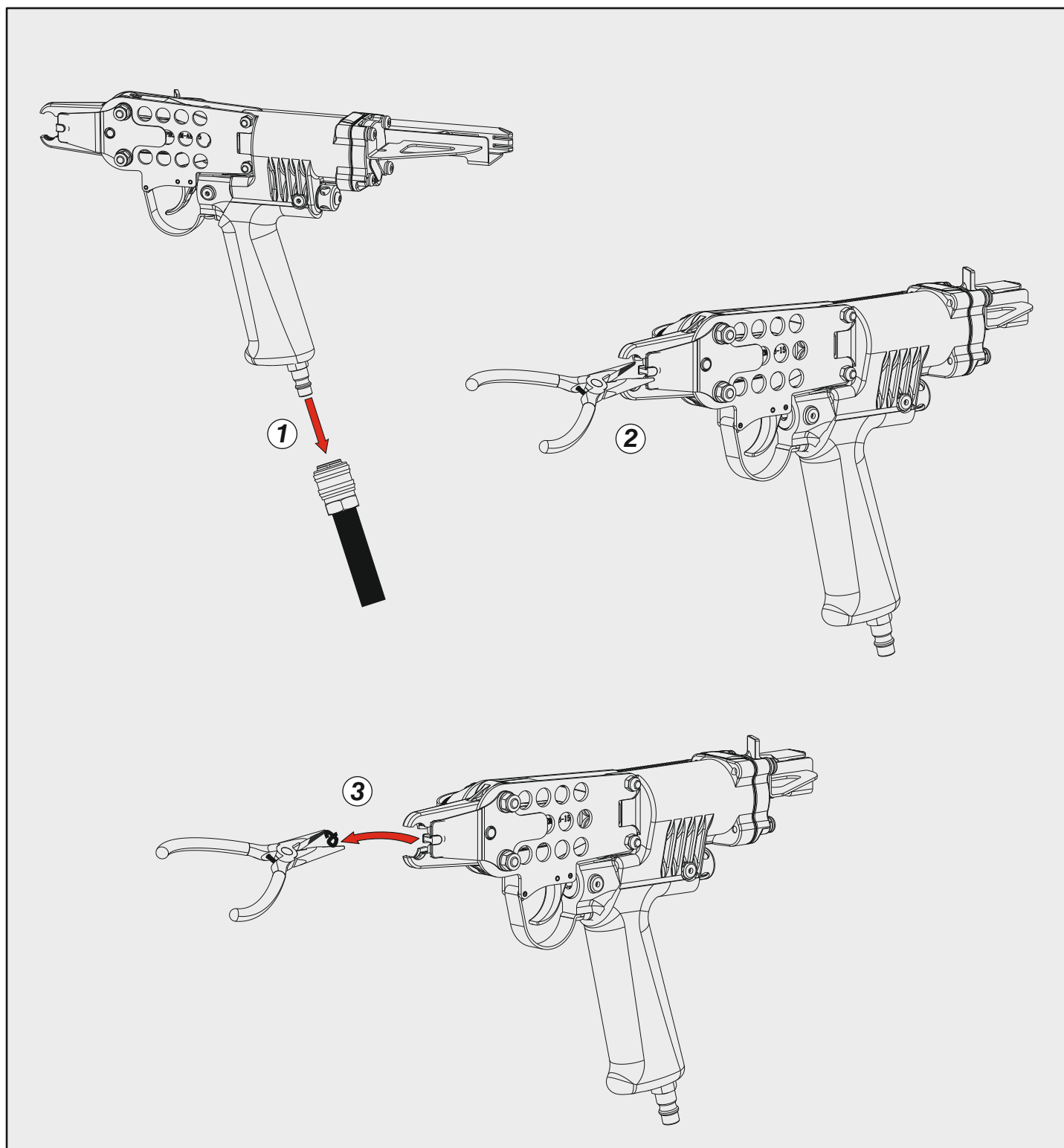
cod. 192HR23MA4-11

Indice di modifica
Upgrade number

A4



Disincceppamento - Jam clearing - Staubeseitigung - Décoincement - Desatascamiento - Απεμπλοκή
Desencravamento - Deblokkering bij vastlopen - Sıkışma giderme



Dotazioni - Equipment - Ausstattung - Outillage - Dotaciones - Εξοπλισμός
Dotações - Uitrusting - Donanımlar

