

Dati tecnici

Lubrificazione consigliata:

Olio per utensili pneumatici

Applicazioni:

Fissaggio pannelli di legno, mobili in legno, telai per porte e finestre, decorazioni, pavimentazioni, scale, rivestimento a pannelli

Sistema di funzionamento:

Funzionamento colpo singolo/bump (grilletto nero)
Sparo sequenziale singolo (grilletto rosso)

Caricamento

1. Caricare i chiodi dall' apposita fessura sul fondo del caricatore.
2. Arretrare lo spingipunto sino ad agganciare l'ultima stecca di chiodi e riaccompagnarlo lentamente.

Technical data

Recommended lubrications:

Pneumatic tool oil

Applications & suitability:

Baseboard, wood furniture, door and window casing, decoration, hardwood flooring, staircases, paneling

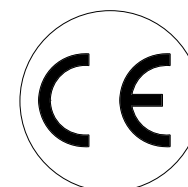
Actuating system:

Single/bump actuation (black trigger)
Single sequential actuation (red trigger)

Filling the magazine

1. Load nails through the slot in the back of the tool.
2. Pull back the pusher till it latches with the last strip of nails then release it slowly.

195MDA64A1_DA64A1_170216 IV



Manuale d'uso, manutenzione e parti di ricambio Parte 2

Use, maintenance and spare parts manual Part.2

DA.64

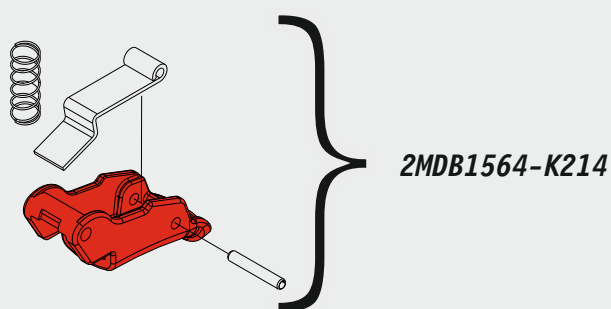
cod. 195MDA64A1

Indice di modifica
Upgrade number

A1

Accessori a richiesta - Upon request accessories

Kit grilletto sparo sequenziale singolo Single sequential fire trigger kit



Dotazioni - Equipment



Misure impiegabili mm (inch)
Usable lengths mm (inch) **25 ÷ 64**
(1" ÷ 2-1/2")

Capacità caricatore n° punti
Magazine capacity No. of fasteners **105**

Pressione d'esercizio bar (psi)
Working pressure bar (psi) **5 ÷ 8**
(70 ÷ 115)

Consumo aria litri/colpo a 7 bar
Air consumption litres/shot at 7 bar **1,44**

Peso kg
Weight kg **1,95**

Dimensioni (AxBxH) mm
Dimensions mm **349x85x314**

Pressione sonora
Max A-Weighted surface impulse sound pressure level **93 dBA**

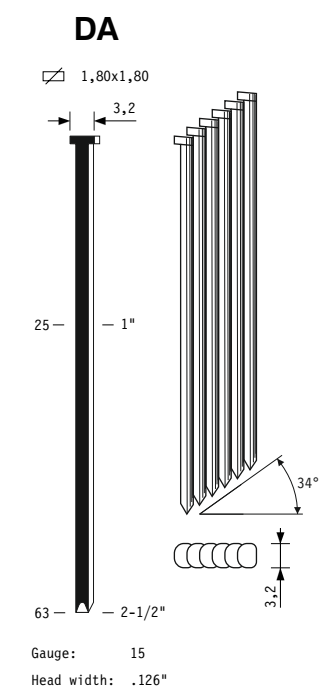
Potenza sonora emessa
Max A-Weighted impulse sound power level **101 dBA**

Vibrazione
Vibration **5,4 m/s²**

omer s.p.a.

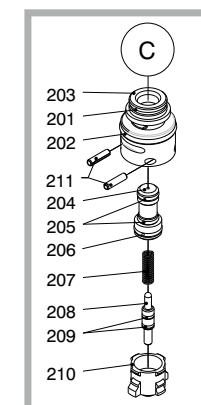
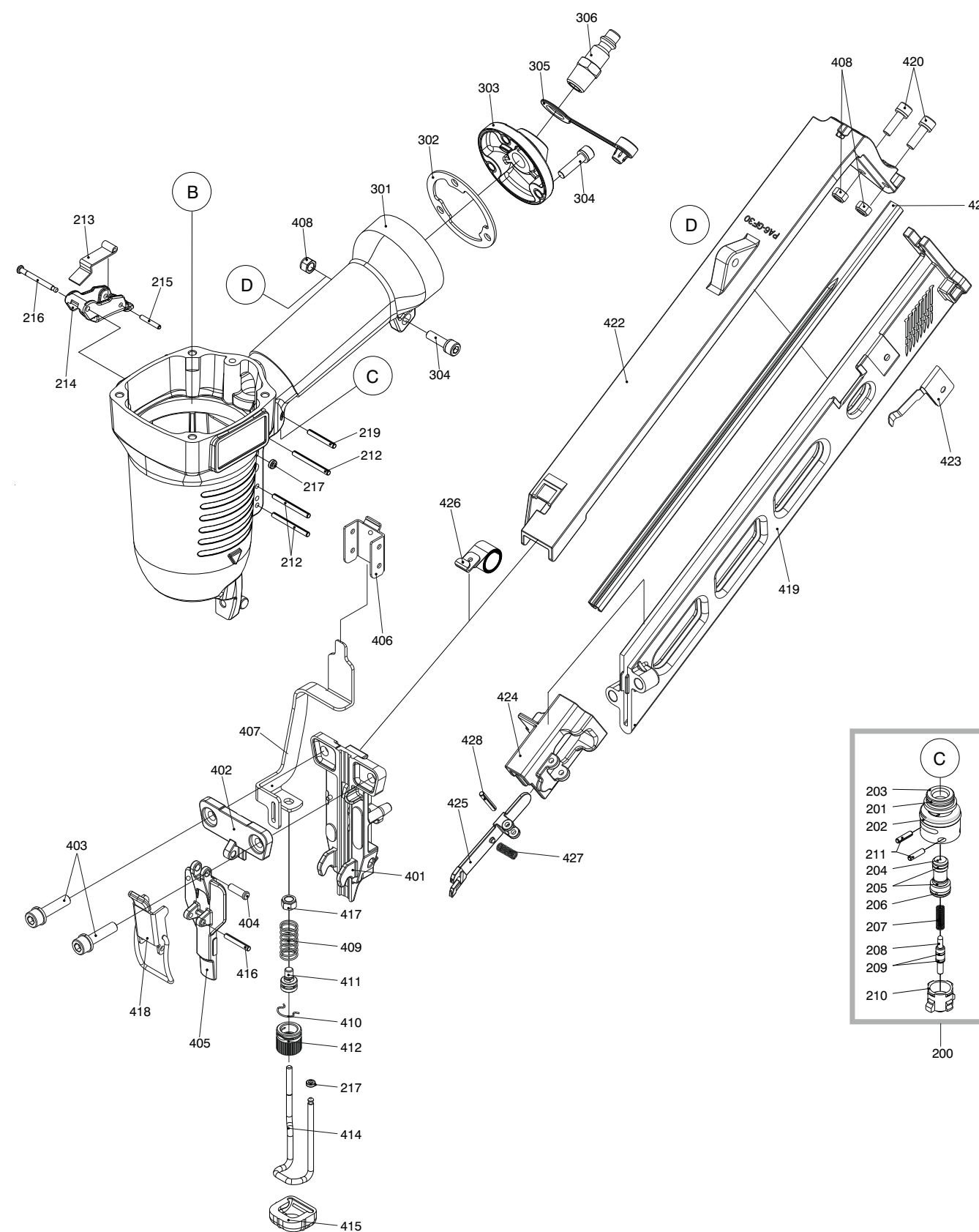
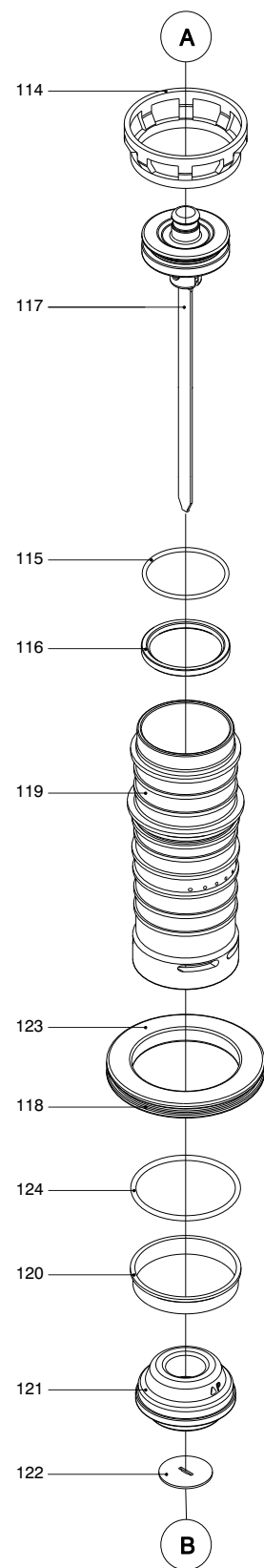
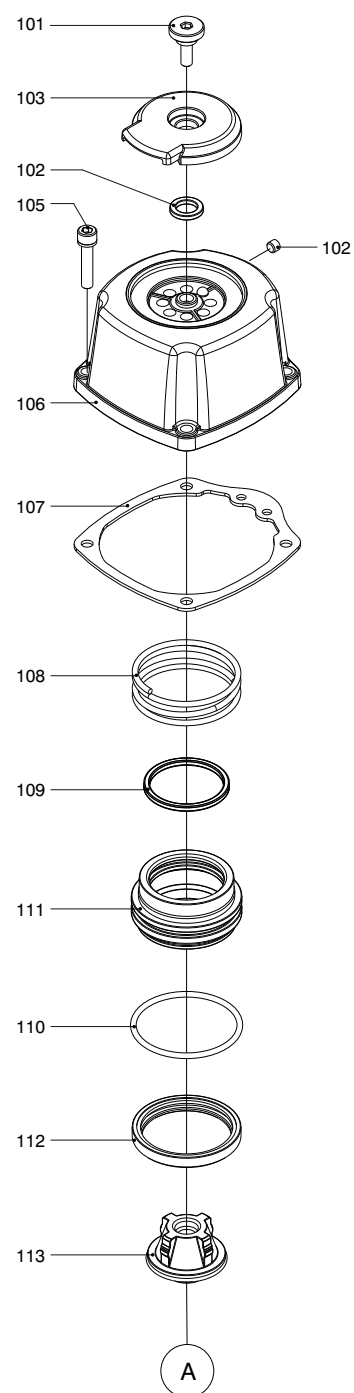
Via Foresto, 42 - 31058 SUSEGANA (TV) ITALY
Tel. 0438 455 318 Fax 0438 455 530
e-mail: omer@omer.it www.omer.it

Tipo di punto Type of fastener



Ref. No. Part No. Description

101	2MDB1564-A101	Deflector Bolt
102	2MDB1564-A102	Rubber Pad
103	2MDB1564-A103	Deflector
104	2MCN2970-A104	Hex. Soc. Hd. Screw
105	2MDB1564-A105	Bolt Assy
106	2MDA64-A106	Cap
107	2MDB1564-A107	Cylinder Cap Seal
108	2MDB1564-A108	Compression Spring
109	2MDB1564-A109	O-Ring
110	2MDB1564-A110	O-Ring
111	2MDB1564-A111	Hd. Valve Piston
112	2MDB1564-A112	Collar
113	2MDB1564-A113	Seal
114	2MDB1564-A114	Press Ring
115	2MDB1564-A115	O-Ring
116	2MDB1564-A116	Piston Ring
117	2MDA64-A117	Driver Unit
118	2MDB1564-A118	O-Ring
119	2MDB1564-A119	Cylinder
120	2MCN3165-A123	Cylinder Ring
121	2MDB1564-A121	Bumper
122	2MDB1564-A122	Driver Guide
123	2MDB1564-A123	Cylinder Spacer
124	2MDB1564-A124	O-Ring
200	2MCN3165-A200	Trigger Valve Unit
201	2MCN3165-A201	O-Ring
202	2MCN3165-A202	O-Ring
203	2MCN3165-A203	Plunger Cap
204	2MCN3165-A204	Valve Plunger
205	2MCN3165-A205	O-Ring
206	2MCN3165-A206	O-Ring
207	2MCN3165-A207	Spring
208	2MCN2550-A208	Plunger
209	2MCN3165-A209	O-Ring
210	2MCN3165-A210	Trigger Valve Head
211	2MCN3165-A211	Spring Pin
212	2MCN3165-A213	Spring Pin
213	2MDB1564-A213	Secondary Trigger
214	2MDB1564-A214	Trigger
215	2MCN3390-A215	Spring Pin
216	2MCN3390-A216	Trigger Pivot Pin
217	2MCN3165-A416	Urethan Retainer
219	2MCN3165-A212	Spring Pin
301	2MDA64-A301	Gun Body Unit
302	2MDB1564-A302	Gasket
303	2MDA64-A303	End Cap
304	2MDB1564-A304	Bolt Assy
305	2MCN3165-A304	Dusty Cover
306	2MCN3165-A305	Air Plug
401	2MDA64-A401	Driver Guide
402	2MDA64-A402	Driver Guide Cover B
403	2MDB1564-A403	Bolt Assy
404	2MDB1564-A404	Fixed Pin
405	2MDA64-A405	Driver Guide Cover A
406	2MDB1564-A406	Safety Guide
407	2MDB1564-A407	Safety B
408	2MCN3165-A454	Lock Nut
409	2MDB1564-A409	Safety Spring
410	2MDB1564-A410	Ring
411	2MDB1564-A411	Link Rod
412	2MDB1564-A412	Adjust Axie
414	2MDA64-A414	Safety
415	2MDA64-A415	Protective Casing
416	2MDA64-A416	Spiral Pins
417	2MDB1564-A417	Lock Nut
418	2MDB1564-A418	Lock Handle Unit
419	2MDA64-A419	Magazine A
420	2MDA64-A420	Bolt Assy
421	2MDA64-A421	Steel Channel
422	2MDA64-A422	Magazine B
423	2MDA64-A423	Stop Nail Plate
424	2MDA64-A424	Protecting Hood Cover
425	2MDA64-A425	Pusher
426	2MDB1564-A426	Spring Unit
427	2MDB1564-A427	Pusher Spring
428	2MDA64-A428	Spring Pin



195MDA64A1_DA64A1_170216 IV

Parti di ricambio - Spare parts

DA.64

cod. 195MDA64A1

Indice di modifica Upgrade number

A1

08163410