

## Dati tecnici

### Applicazioni:

Fissaggio piastre in metallo.

### Sistema di funzionamento:

Sparo sequenziale completo

## Caricamento

1. Caricare i chiodi dall' apposita fessura sul retro del caricatore.
2. Arretrare lo spingipunto sino ad agganciare l'ultima stecca di chiodi e riaccompagnarlo lentamente.

## Technical data

### Applications & suitability:

Metal connector fastening

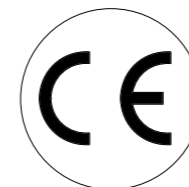
### Actuating system:

Full sequential actuation

## Filling the magazine

1. Load nails through the slot in the back of the tool.
2. Pull back the pusher till it latches with the last strip of nails then release it slowly.

195MGN3465-A1\_GSN3465MC\_260918 IV



## Manuale d'uso, manutenzione e parti di ricambio Parte 2

Use, maintenance and spare parts manual Part.2

# GSN34.65 MC

cod. 195MGN3465-A1

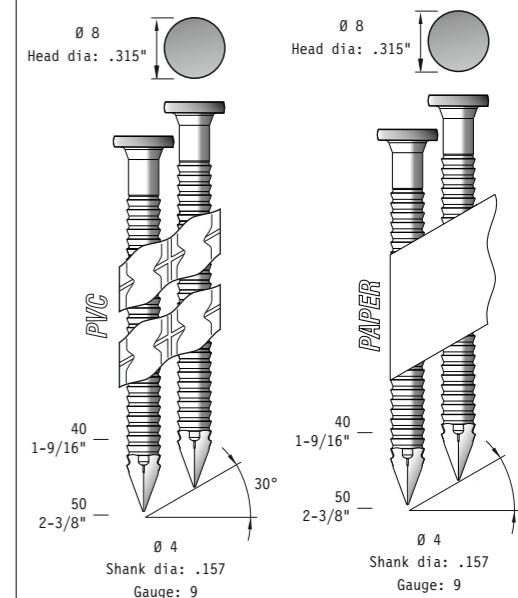
Indice di modifica  
Upgrade number

A1

<b>Misure impiegabili mm (inch)</b> Usable lengths mm (inch)	<b>38 ÷ 64</b> <b>(1-1/2" ÷ 2-1/2")</b>
<b>Capacità caricatore n° punti</b> Magazine capacity No. of fasteners	<b>30</b>
<b>Colpi per carica di batteria</b> Shot per charge	<b>5200</b>
<b>Colpi per cartuccia di gas</b> Shot per fuel	<b>1200</b>
<b>Peso kg</b> Weight kg	<b>3,80</b>
<b>Dimensioni (AxBxH) mm</b> Dimensions mm	<b>355x108x393</b>
<b>Pressione sonora</b> Max A-Weighted surface impulse sound pressure level	<b>92,5 dBA</b>
<b>Potenza sonora emessa</b> Max A-Weighted impulse sound power level	<b>95,5 dBA</b>
<b>Vibrazione</b> Vibration	<b>2,28 m/s<sup>2</sup></b>

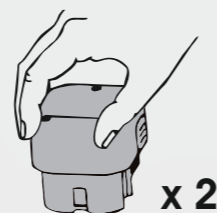
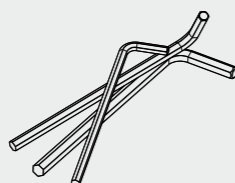
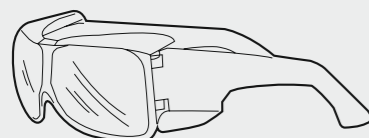
Tipo di punto  
Type of fastener

### SNPB-40



Full Sequential

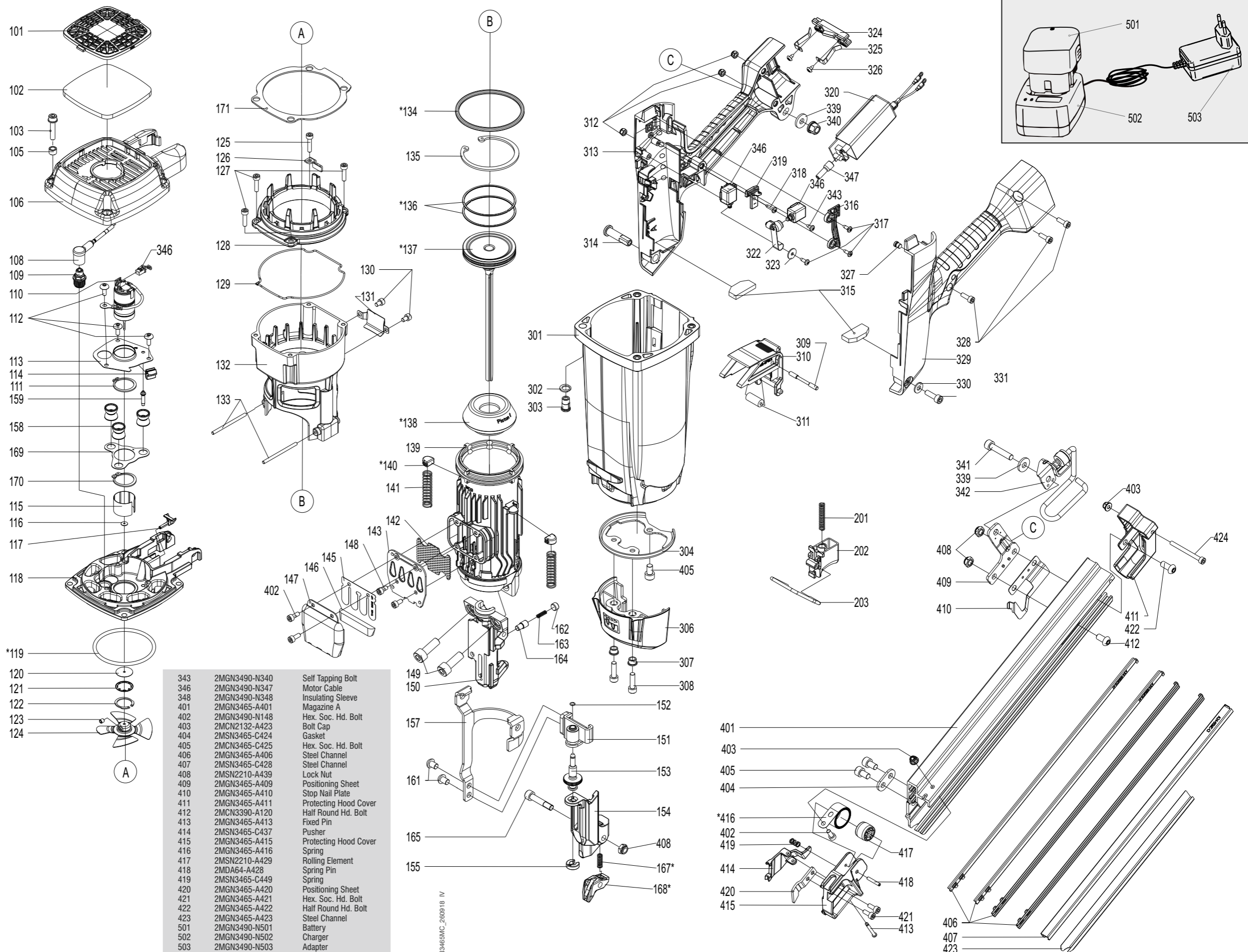
## Dotazioni - Equipment



**omer** s.p.a.

Via Foresto, 42 - 31058 SUSEGANA (TV) ITALY  
Tel. 0438 455 318 Fax 0438 455 530  
e-mail: omer@omer.it www.omer.it

101	2MGN3490-N101	Deflector
102	2MGN3490-N102	Filter Unit
103	2MGN3490-N103	Bolt
105	2MGN3490-N105	Collar
106	2MGN3490-N106	Cap
108	2MGN3490-N108	High Voltage Cable
109	2MGN3490-N109	Sparkler
110	2MGN3490-N110	Motor Unit
111	2MGN3490-N111	C-Ring
112	2MGN3490-N112	Hex. Soc. Hd. Bolt
113	2MGN3490-N113	Positioning Sheet
114	2MGN3490-N114	Ground Wire Braket
115	2MGN3490-N115	Sleeve Motor
116	2MGN3490-N116	Washer
117	2MGN3490-N117	Fuel stem adapter
118	2MGN3490-N118	O-Ring
119	2MGN3490-N119	Cylinder
120	2MGN3490-N120	Seal
121	2MGN3490-N121	Seal
122	2MGN3490-N122	E-Ring
123	2MGN3490-N123	Hex. Soc. Hd. Screw
124	2MGN3490-N124	Cooling Fan Assembly
125	2MGN3490-N125	Hex. Soc. Hd. Bolt
126	2MGN3490-N126	Guide
127	2MGN3490-N127	Hex. Soc. Hd. Bolt
128	2MGN3490-N128	Upper Combustion Chamber
129	2MGN3490-N129	Packing
130	2MGN3490-N130	Hex. Soc. Hd. Bolt
131	2MGN3490-N131	Washer
132	2MGN3490-N132	Combustion Chamber
133	2MGN3490-N133	Pin
134	2MGN3490-N134	O-Ring
135	2MGN3490-N135	C-Ring
136	2MGN3490-N136	Piston Ring
137	2MGN3465-A137	Driver Unit
138	2MGN3490-N138	Bumper
139	2MGN3465-A139	Cylinder
140	2MGN3490-N140	Bumper
141	2MGN3490-N141	Safety Spring
142	2MGN3490-N142	Exhaust Mesh Plate
143	2MGN3490-N143	Exhaust Baffle
145	2MGN3490-N145	Reed Valve
146	2MGN3490-N146	Cleaner
147	2MGN3490-N147	Deflector
148	2MGN3490-N148	Hex. Soc. Hd. Bolt
149	2MGN3465-A149	Hex. Soc. Hd. Bolt
150	2MGN3465-A150	Nose Piece
151	2MGN3465-A151	Safety B Unit
152	2MGN3490-N152	Ring
153	2MGN3465-A153	Adjust Rod
154	2MGN3465-A154	Probe
155	2MGN3490-N155	Ring
157	2MGN3465-A157	Safety C (Left)
158	2MGN3465-A158	Feed Bumper
159	2MGN3490-N159	Positioning Shaft
161	2MGN3465-A161	Half Round Hd. Hex. Bolt
162	2MGN3465-A162	Hex. Soc. Hd. Screw
163	2MGN3465-A163	Pin
164	2MGN3465-A164	Pin
165	2MCP3365-A435	Half Round Hd. Hex. Bolt
166	2MGN3490-N166	Fixed Ring
167	2MSN3465-C421	Spring
168	2MSN3465-C420	Guide Block
169	2MGN3490-N167	Spacer
201	2MGN3490-N201	Spring
202	2MGN3490-N202	Trigger
203	2MGN3490-N203	Safety
301	2MGN3490-N301	Gun Body
302	2MGN3490-N302	Washer Cap
303	2MGN3490-N303	Cap Nut
304	2MGN3490-N304	Cylinder Bracket
306	2MGN3465-A306	Safety Cover
307	2MGN3490-N307	Washer
308	2MS29130-A423	Hex. Soc. Hd. Bolt
309	2MGN3490-N309	Pin
310	2MGN3490-N310	Fuel Actuator
311	2MGN3490-N311	Bush
312	2MSN2210-A418	Lock Nut
313	2MGN3490-N313	Body Handle A
314	2MGN3490-N314	Bolt Cap
315	2MGN3490-N315	Spacer
316	2MGN3490-N316	Bracket Unit
317	2MGN3490-N317	Self Tapping Bolt
318	2MGN3490-N318	Self Tapping Bolt
319	2MGN3490-N319	Wire Guide B
320	2MGN3490-N320	Pcb Assembly
322	2MGN3490-N322	Switch
323	2MGN3490-N323	Flat Washer
324	2MGN3490-N324	Bracket
325	2MGN3490-N325	Battery node
326	2MGN3490-N326	Bolt
327	2MGN3490-N327	Led Cover
328	2MGN3490-N328	Hex. Soc. Hd. Bolt
329	2MGN3490-N329	Body Handle B
330	2MSN2213-A419	Flat Washer
331	2MGN3490-N331	Hex. Soc. Hd. Bolt
339	2MSN2213-A409	Flat Washer
340	2MGN3490-N340	Bolt Cap
341	2MSN2213-A408	Hex. Soc. Hd. Bolt
342	2MGN3465-A342	Spring Retainer



343	2MGN3490-N340	Self Tapping Bolt
346	2MGN3490-N347	Motor Cable
348	2MGN3490-N348	Insulating Sleeve
401	2MGN3465-A401	Magazine A
402	2MGN3490-N148	Hex. Soc. Hd. Bolt
403	2MGN2132-A423	Bolt Cap
404	2MSN3465-C424	Gasket
405	2MGN3465-C425	Hex. Soc. Hd. Bolt
406	2MGN3465-A406	Steel Channel
407	2MSN3465-C428	Steel Channel
408	2MSN2210-A439	Lock Nut
409	2MGN3465-A409	Positioning Sheet
410	2MGN3465-A410	Stop Nail Plate
411	2MGN3465-A411	Protecting Hood Cover
412	2MGN3390-A120	Half Round Hd. Bolt
413	2MGN3465-A413	Fixed Pin
414	2MSN3465-C437	Pusher
415	2MGN3465-A415	Protecting Hood Cover
416	2MGN3465-A416	Spring
417	2MSN2210-A429	Rolling Element
418	2MDA64-A428	Spring Pin
419	2MSN3465-C449	Spring
420	2MGN3465-A420	Positioning Sheet
421	2MGN3465-A421	Hex. Soc. Hd. Bolt
422	2MGN3465-A422	Half Round Hd. Bolt
423	2MGN3465-A423	Steel Channel
501	2MGN3490-N501	Battery
502	2MGN3490-N502	Charger
503	2MGN3490-N503	Adapter

195MGN3465-A1\_GSN3465MC\_260918 IV