

Dati tecnici

Applicazioni:

Rivestimenti, recinzioni in legno, casse in legno, imballaggi in legno, bancali, tetti e case in legno.

Sistema di funzionamento:

Sparo sequenziale completo

Caricamento

1. Caricare i chiodi dall' apposita fessura sul retro del caricatore.
2. Arretrare lo spingipunto sino ad agganciare l'ultima stecca di chiodi e riaccompagnarlo lentamente.

Technical data

Applications & suitability:

Sheathing, fencing, case and box assembly, wooden packaging, pallets, wooden roof and house.

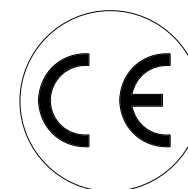
Actuating system:

Full sequential actuation

Filling the magazine

1. Load nails through the slot in the back of the tool.
2. Pull back the pusher till it latches with the last strip of nails then release it slowly.

195MGN3490-N1_GSN3490_080519 IV



Manuale d'uso, manutenzione e parti di ricambio Parte 2

Use, maintenance and spare parts manual Part.2

GSN34.90

cod. 195MGN3490-N1

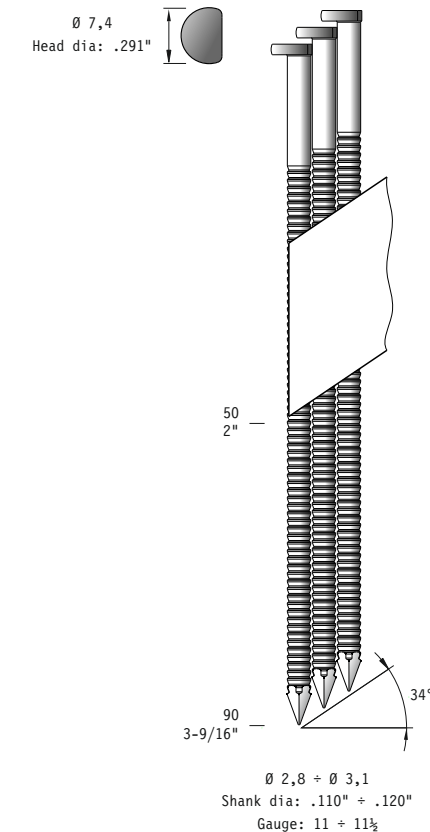
Indice di modifica
Upgrade number

N1

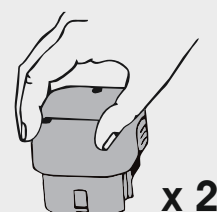
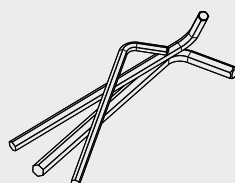
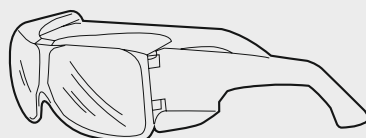
Misure impiegabili mm (inch) Usable lengths mm (inch)	50 ÷ 90 (2" ÷ 3-1/2")
Capacità caricatore n° punti Magazine capacity No. of fasteners	60
Colpi per carica di batteria Shot per charge	4500
Colpi per cartuccia di gas Shot per fuel	1200
Peso kg Weight kg	3,42
Dimensioni (AxBxH) mm Dimensions mm	374x108x378
Pressione sonora Max A-Weighted surface impulse sound pressure level	94,5 dBA
Potenza sonora emessa Max A-Weighted impulse sound power level	96,4 dBA
Vibrazione Vibration	3,36 m/s²

Tipo di punto

Type of fastener



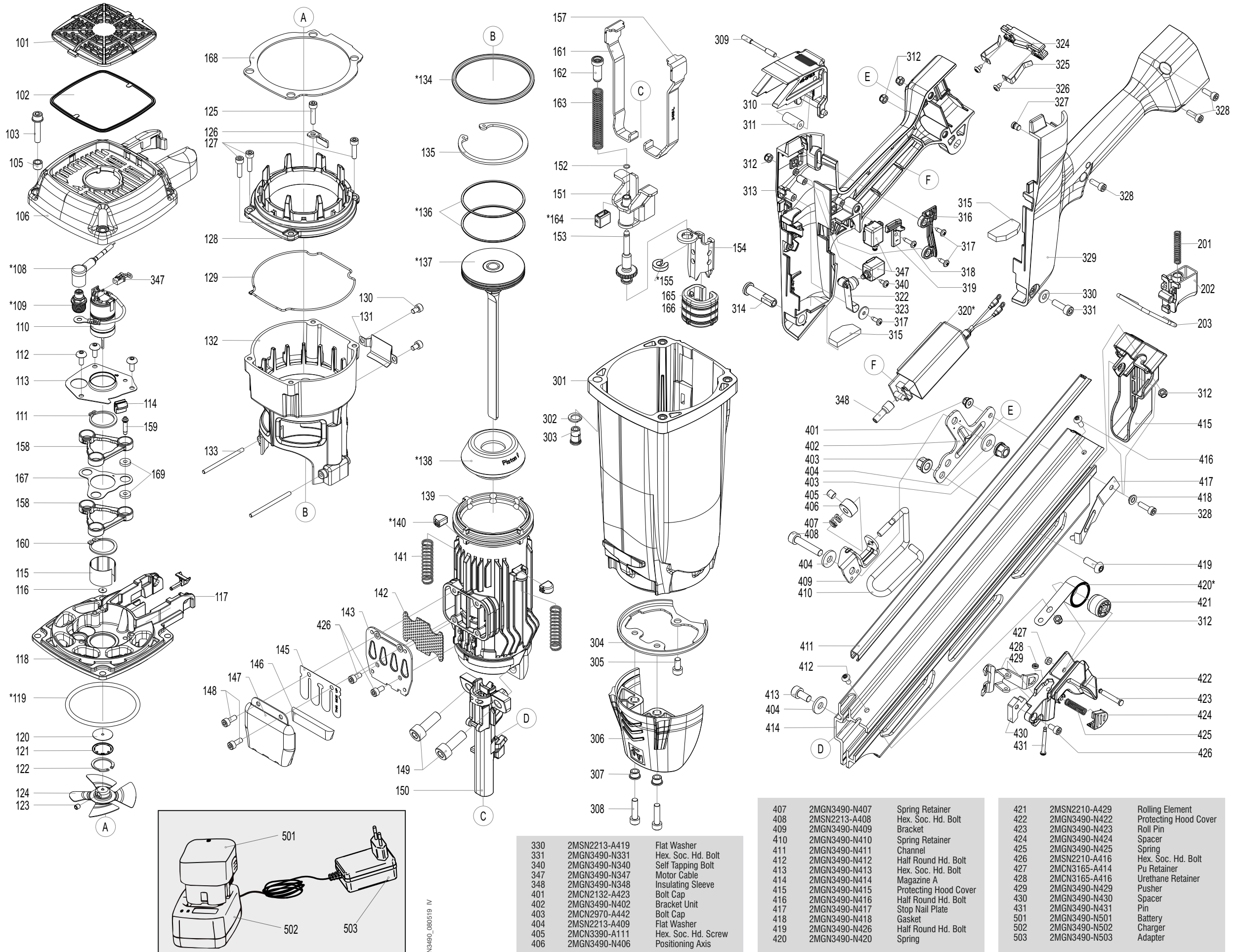
Dotazioni - Equipment



omer s.p.a.

Via Foresto, 42 - 31058 SUSEGANA (TV) ITALY
Tel. 0438 455 318 Fax 0438 455 530
e-mail: omer@omer.it www.omer.it

101	2MGN3490-N101	Deflector
102	2MGN3490-N102	Filter Unit
103	2MGN3490-N103	Bolt
105	2MGN3490-N105	Collar
106	2MGN3490-N106	Cap
108	2MGN3490-N108	High Voltage Cable
109	2MGN3490-N109	Sparkler
110	2MGN3490-N110	Motor Unit
111	2MGN3490-N111	C-Ring
112	2MGN3490-N112	Hex. Soc. Hd. Bolt
113	2MGN3490-N113	Positioning Sheet
114	2MGN3490-N114	Ground Wire Bracket
115	2MGN3490-N115	Sleeve Motor
116	2MGN3490-N116	Washer
117	2MGN3490-N117	Fuel stem adapter
118	2MGN3490-N118	O-Ring
119	2MGN3490-N119	Cylinder
120	2MGN3490-N120	Seal
121	2MGN3490-N121	Seal
122	2MGN3490-N122	E-Ring
123	2MGN3490-N123	Hex. Soc. Hd. Screw
124	2MGN3490-N124	Cooling Fan Assembly
125	2MGN3490-N125	Hex. Soc. Hd. Bolt
126	2MGN3490-N126	Guide
127	2MGN3490-N127	Hex. Soc. Hd. Bolt
128	2MGN3490-N128	Upper Combustion Chamber
129	2MGN3490-N129	Packing
130	2MGN3490-N130	Hex. Soc. Hd. Bolt
131	2MGN3490-N131	Washer
132	2MGN3490-N132	Combustion Chamber
133	2MGN3490-N133	Pin
134	2MGN3490-N134	O-Ring
135	2MGN3490-N135	C-Ring
136	2MGN3490-N136	Piston Ring
137	2MGN3490-N137	Driver Unit
138	2MGN3490-N138	Bumper
139	2MGN3490-N139	Cylinder
140	2MGN3490-N140	Bumper
141	2MGN3490-N141	Safety Spring
142	2MGN3490-N142	Exhaust Mesh Plate
143	2MGN3490-N143	Exhaust Baffle
144	2MGN3490-N144	Reed Valve
145	2MGN3490-N145	Cleaner
146	2MGN3490-N146	Deflector
147	2MGN3490-N147	Hex. Soc. Hd. Bolt
148	2MGN3490-N148	Hex. Soc. Hd. Bolt
149	2MGN3490-N149	Nose Piece
150	2MGN3490-N150	Safety B Unit
151	2MGN3490-N151	Ring
152	2MGN3490-N152	Adjust Rod
153	2MGN3490-N153	Safety A
154	2MGN3490-N154	Ring
155	2MGN3490-N155	Safety C (Left)
156	2MGN3490-N156	Feed Bumper
157	2MGN3490-N157	Positioning Shaft
158	2MGN3490-N158	C-Ring
159	2MGN3490-N159	Safety C (Right)
160	2MGN3490-N160	Safety Rod
161	2MGN3490-N161	Safety Spring
162	2MGN3490-N162	Safety Bumper
163	2MGN3490-N163	Protective Casing
164	2MGN3490-N164	Fixed Ring
165	2MGN3490-N165	Spacer
166	2MGN3490-N166	Spacer
167	2MGN3490-N167	Positioning Axis
168	2MGN3490-N168	Spring
169	2MGN3490-N169	Trigger
170	2MGN3490-N201	Safety
171	2MGN3490-N202	Gun Body
172	2MGN3490-N203	Washer Cap
173	2MGN3490-N301	Cap Nut
174	2MGN3490-N302	Cylinder Bracket
175	2MGN3490-N303	Hex. Soc. Hd. Bolt
176	2MGN3490-N304	Safety Cover
177	2MGN3490-N305	Washer
178	2MGN3490-N306	Hex. Soc. Hd. Bolt
179	2MGN3490-N307	Pin
180	2MGN3490-N308	Fuel Actuator
181	2MGN3490-N309	Bush
182	2MGN3490-N310	Lock Nut
183	2MGN3490-N311	Body Handle A
184	2MGN3490-N312	Bolt Cap
185	2MGN3490-N313	Spacer
186	2MGN3490-N314	Bracket Unit
187	2MGN3490-N315	Self Tapping Bolt
188	2MGN3490-N316	Self Tapping Bolt
189	2MGN3490-N317	Wire Guide B
190	2MGN3490-N318	Pcb Assembly
191	2MGN3490-N319	Switch
192	2MGN3490-N320	Flat Washer
193	2MGN3490-N321	Bracket
194	2MGN3490-N322	Battery node
195	2MGN3490-N323	Bolt
196	2MGN3490-N324	Led Cover
197	2MGN3490-N325	Hex. Soc. Hd. Bolt
198	2MGN3490-N326	Body Handle B



330	2MSN2213-A419	Flat Washer
331	2MGN3490-N331	Hex. Soc. Hd. Bolt
340	2MGN3490-N340	Self Tapping Bolt
347	2MGN3490-N347	Motor Cable
348	2MGN3490-N348	Insulating Sleeve
401	2MGN2132-A423	Bolt Cap
402	2MGN3490-N402	Bracket Unit
403	2MGN2970-A442	Bolt Cap
404	2MSN2213-A409	Flat Washer
405	2MGN3390-A111	Hex. Soc. Hd. Screw
406	2MGN3490-N406	Positioning Axis

407	2MGN3490-N407	Spring Retainer
408	2MSN2213-A408	Hex. Soc. Hd. Bolt
409	2MGN3490-N409	Bracket
410	2MGN3490-N410	Spring Retainer
411	2MGN3490-N411	Channel
412	2MGN3490-N412	Half Round Hd. Bolt
413	2MGN3490-N413	Hex. Soc. Hd. Bolt
414	2MGN3490-N414	Magazine A
415	2MGN3490-N415	Protecting Hood Cover
416	2MGN3490-N416	Half Round Hd. Bolt
417	2MGN3490-N417	Stop Nail Plate
418	2MGN3490-N418	Gasket
419	2MGN3490-N419	Half Round Hd. Bolt
420	2MGN3490-N420	Spring

421	2MSN2210-A429	Rolling Element
422	2MGN3490-N422	Protecting Hood Cover
423	2MGN3490-N423	Roll Pin
424	2MGN3490-N424	Spring Retainer
425	2MGN3490-N425	Spring
426	2MSN2210-A416	Hex. Soc. Hd. Bolt
427	2MGN3165-A414	Pu Retainer
428	2MGN3165-A416	Urethane Retainer
429	2MGN3490-N429	Pusher
430	2MGN3490-N430	Spacer
431	2MGN3490-N431	Pin
501	2MGN3490-N501	Battery
502	2MGN3490-N502	Charger
503	2MGN3490-N503	Adapter