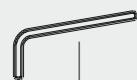


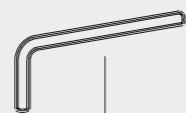
Dotazioni - Equipment



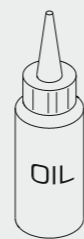
07.25



07.30

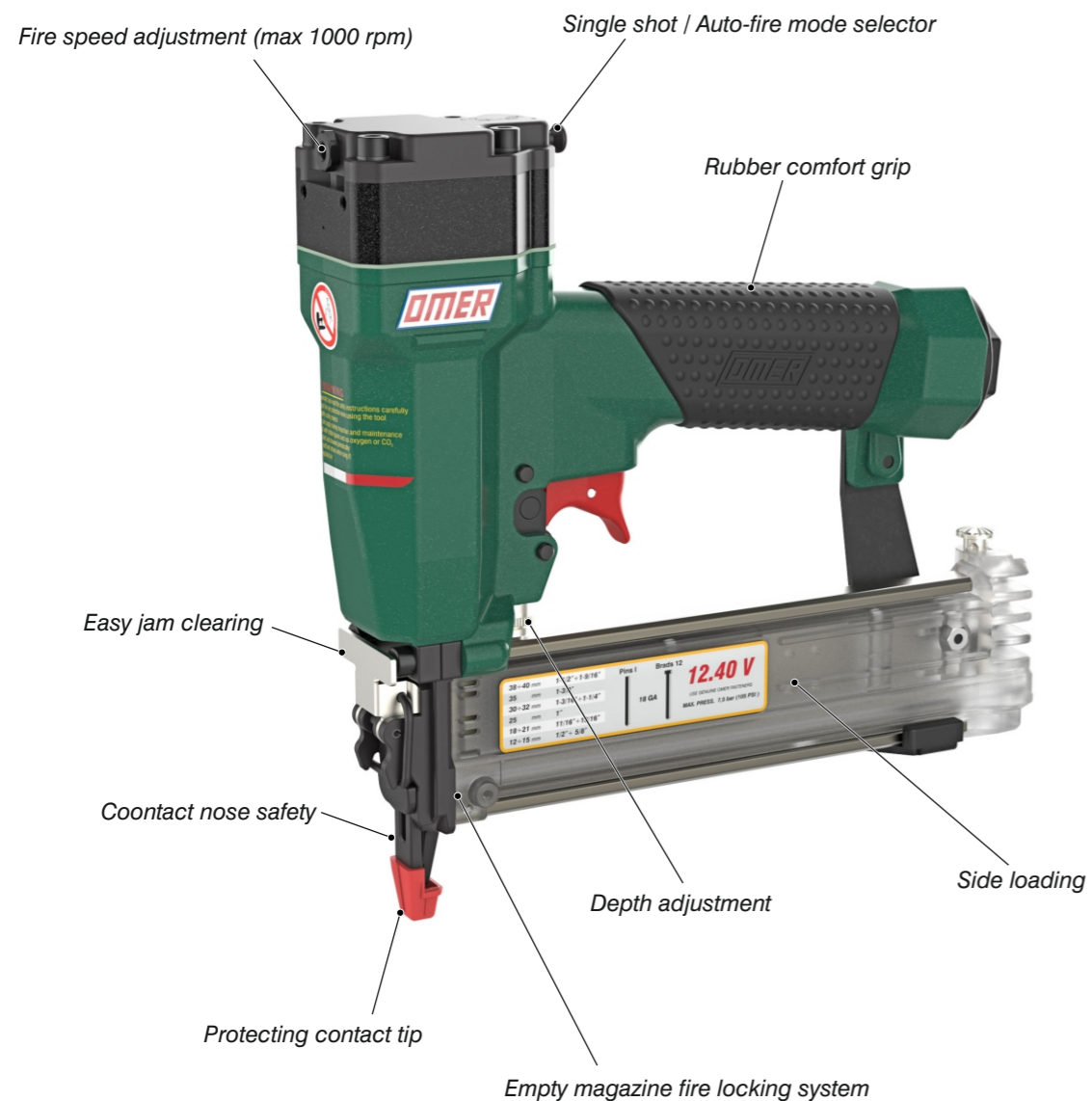


07.40



D01

Caratteristiche - Features



Manuale d'uso, manutenzione e parti di ricambio
Use, maintenance and spare parts manual
Gebrauchsanweisung, Instandhaltungsrichtlinien und Ersatzteile
Manuel d'utilisation, entretien et pièces de rechange
Manual de uso, mantenimiento y repuestos
 Εγχειρίδιο χρήσης, συντηρησης και ανταλλακτικών
Manual de utilização, manutenção e partes sobresselentes
Handleiding voor gebruik, onderhoud en reservedelslste
Brugsanvisning, vedligeholdelse og reservedelslste

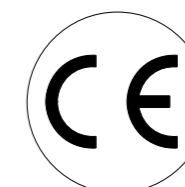
Parte 2
Part 2
Teil 2
Partie 2
Part 2
 2° Μερως
Parte 2
Deel 2
Del 2



12.40 V

cod. 1221280

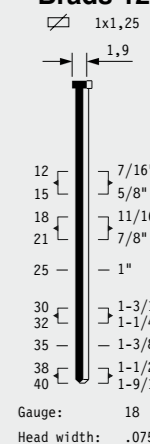
1221280_1240V_2_020519 IV



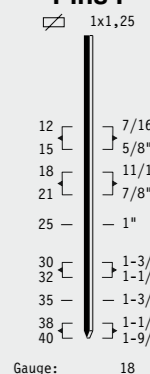
| Dati tecnici Technical data Technische daten | Données techniques Datos tècnicos Τεχνικά χαρακτηριστικά | Dados tècnicos Technischegegevens Teknische data |
|--|---|--|
| Misure impiegabili mm Usable lengths mm Gebrauchliche Längen mm | Mesures utilisable mm Medidas que se pueden emplear mm Διαστάσεις σε μμ | Medidas que se podem utilizar mm Te gebruiken engtes in mm Brugbare laengder i mm |
| Capacità caricatore n° punti Magazine capacity No. of fasteners Magazinkapazität Nägel | Capacité chargeur n° de points Capacidad cargador n° puntos Δυνατότητα γεμιστερα, σπνδτερες | Capacitade carregador n° pontos Capaciteit magazijn in aantal spijkers Kapacitet af magasin antal klemme |
| Pressione d'esercizio Working pressure Betriebsdruck | Pression de fonctionnement Presión de trabajo Πιεση λειτουργιασ ατμ. | Pressao de trabalho Werkdruk Arbejds tryk bar |
| Consumo aria litri/colpo Air consumption litres/shot Luftverbrauch Liter/Schlag | Consommation air litre/coup Consumo aire-litros/golpe Καταναλωση αερα λ/ξτπημα | Consumo ar litro/golpe Luchtverbruik liter/schot Luftforbrug liter/skud |
| Peso kg Weight kg Gewicht kg | Poids kg Peso kg Βαρος κγ | Peso kg Gewicht in kg Vaegt kg |
| Dimensioni (AxBxH) mm Dimensions mm Größe mm | Dimension mm Dimensiones mm Δυνατότητα γεμιστερα, σπνδτερες | Dimencoes mm Afmetingen in mm Dimensioner mm |
| EN 12549 :1999 ISO 11201 :1995 Pressione sonora in pos. operatore Sound pressure at the workstation Lärmintensität am Arbeitsplatz | Pression acoustique près de l'opérateur Presión sonora en posición encargado Ακουστικη πιεση στη θεση χειριστου | Intensidade sonora perto do operador Geluidssterkte op de werkplek Lydstyrke på operatorposten |
| EN 12549 :1999 ISO 3744 :1994 Potenza sonora emessa Emitted sound power Ausgestrahlte Lärmintensität | Puissance acoustique émise Potencia sonora emitida Ακουστικη ισχυ | Potência sonora emitida Uitgestraalde geluidssterkte Udsendt lydstryke |
| EN 28662 :1992 ISO 5349 :1986 ISO 8662 -11 Valore medio ponderato di vibrazione sull'impugnatura Weighted mean value of vibration on the grip Mitteler Vibrationswert, am Griff Gemessen | Valeur moyenne pondérée de vibration mesurée sur la poignée Valor medio ponderado de vibracion medida en la empunadura Μεσος ορος μετρησις κραδασιμων στη χειρολαβη | Valor medio ponderado de vibracao medida no punho Gewogen gemiddelde vibratiewaarde Middelvaardi af vibrationer pa handtaget |

Tipo di punto
Type of fastener
Befestigungselement
Type d'agrafe
Tipo de punto
Τυπος καρφιου
Tipo de ponto
Type nietjes
Tilspændingstype

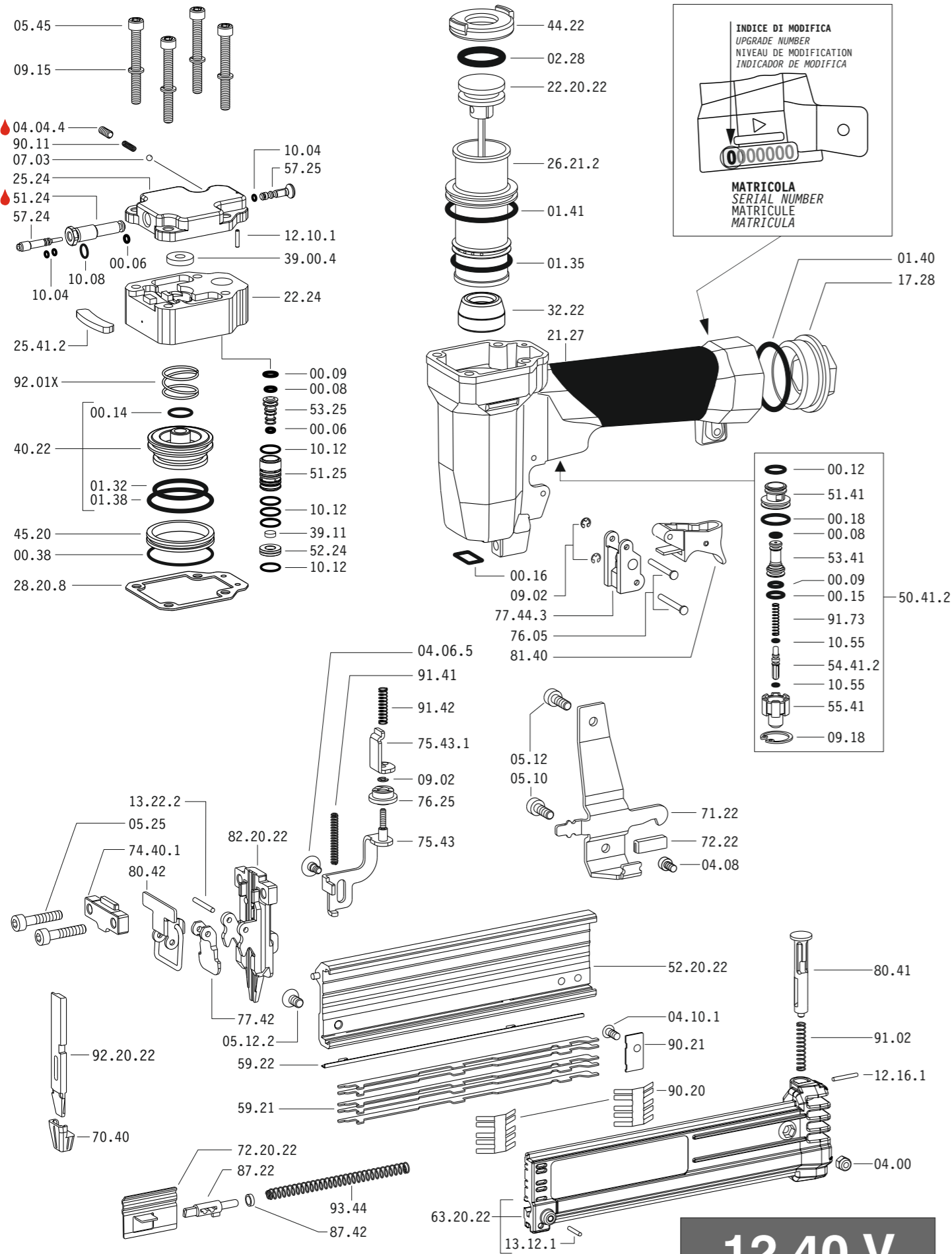
Brads 12



Pins I



Parti di ricambio - Spare parts - Ersatzteile - Pièces de rechange - Piezas de repuesto
Ανταλλακτικά - Partes sobresselentes - Tabel te raadplegen - Reservedede



12.40 V

cod. 1221280

Parti di ricambio - Spare parts - Ersatzteile - Pièces de rechange - Piezas de repuesto
Ανταλλακτικά - Partes sobresselentes - Tabel te raadplegen - Reservedede

| Cod. | Descrizione | Description |
|----------|-----------------------|-------------------------|
| 00.06 | O-Ring | O-Ring |
| 00.08 | O-Ring | O-Ring |
| 00.09 | O-Ring | O-Ring |
| 00.12 | O-Ring | O-Ring |
| 00.14 | O-Ring | O-Ring |
| 00.15 | O-Ring | O-Ring |
| 00.16 | O-Ring | O-Ring |
| 00.18 | O-Ring | O-Ring |
| 00.38 | O-Ring | O-Ring |
| 01.32 | O-Ring | O-Ring |
| 01.35 | O-Ring | O-Ring |
| 01.38 | O-Ring | O-Ring |
| 01.40 | O-Ring | O-Ring |
| 01.41 | O-Ring | O-Ring |
| 02.28 | O-Ring | O-Ring |
| 04.00 | Dado | Nut |
| 04.04.4 | Vite | Screw |
| 04.06.5 | Vite | Screw |
| 04.08 | Vite | Screw |
| 04.04.4 | Vite | Screw |
| 04.10.1 | Vite | Screw |
| 05.10 | Vite | Screw |
| 05.12 | Vite | Screw |
| 05.12.2 | Vite | Screw |
| 05.25 | Vite | Screw |
| 05.45 | Vite | Screw |
| 07.03 | Sfera | Ball |
| 07.25 | Chiave esagonale | Hex. bar wrench |
| 07.30 | Chiave esagonale | Hex. bar wrench |
| 07.40 | Chiave esagonale | Hex. bar wrench |
| 09.02 | Anello elastico | Elastic ring |
| 09.15 | Rondella | Washer |
| 09.18 | Anello elastico | Elastic ring |
| 10.04 | O-Ring | O-Ring |
| 10.08 | O-Ring | O-Ring |
| 10.12 | O-Ring | O-Ring |
| 10.55 | O-Ring | O-Ring |
| 12.10.1 | Spina | Pin |
| 12.16.1 | Spina | Pin |
| 13.12.1 | Spina | Pin |
| 13.22.2 | Spina | Pin |
| 17.28 | Tappo | Inlet cap |
| 21.27 | Corpo | Body |
| 22.24 | Testa | Head |
| 25.24 | Deflettore | Exhaust deflector |
| 25.41.2 | Silenziatore | Silencer |
| 26.21.2 | Cilindro | Cylinder |
| 28.20.8 | Guarnizione testa | Head gasket |
| 32.22 | Ammortizzatore | Bumper |
| 39.00.4 | Guarnizione scarico | Exhaust seal |
| 39.11 | Guarnizione | Seal |
| 40.22 | Valvola completa | Valve ass'y |
| 44.22 | Guarnizione | Gasket |
| 45.20 | Anello valvola | Ring |
| 50.41.2 | Pulsante completo | Trigger valve ass'y |
| 51.24 | Boccola regolatore | Regulator valve housing |
| 51.25 | Cilindro servovalvola | Valve cylinder |
| 51.41 | Boccola pulsante | Trigger valve housing |
| 52.24 | Tappo | Stopper |
| 53.25 | Pistone servovalvola | Valve piston |
| 53.41 | Pistone servovalvola | Valve piston |
| 54.41.2 | Pulsante | Trigger valve |
| 55.41 | Raccordo pulsante | Bush |
| 57.24 | Regolatore | Regulator |
| 57.25 | Interruttore | Switch |
| 59.21 | Distanziale | Spacer |
| 59.22 | Spessore | Sliding guide |
| 70.40 | Puntale | Contact tip |
| 71.22 | Reggicaricatore | Support |
| 72.22 | Fermo carrello | Slider-stop |
| 74.40.1 | Staffa testina | Nose guide |
| 75.43 | Sicura | Safety |
| 75.43.1 | Rinvio sicura | Contact arm |
| 76.05 | Perno | Pin |
| 76.25 | Regolatore | Adjusting wheel |
| 77.42 | Guida testina | Safety nose plate |
| 77.44.3 | Guida sicura | Safety guide |
| 80.41 | Grilletto chiusura | Trigger |
| 80.42 | Grilletto testina | Nose plate lock |
| 81.40 | Grilletto comando | Trigger |
| 87.22 | Portamolla | Spring bearing |
| 87.42 | Segnalatore | Signal washer |
| 90.11 | Molla | Spring |
| 90.20 | Molla | Spring |
| 90.21 | Staffa distanziale | Spacer holder |
| 91.02 | Molla | Spring |
| 91.41 | Molla | Spring |
| 91.42 | Molla | Spring |
| 91.73 | Molla | Spring |
| 92.01X | Molla | Spring |
| 93.44 | Molla | Spring |
| 22.20.22 | Battente | Driver |
| 52.20.22 | Caricatore | Magazine |
| 63.20.22 | Carrello | Slider |
| 72.20.22 | Spingipunto | Pusher |
| 82.20.22 | Controtestina | Nose |
| 92.20.22 | Testina | Nose plate |
| D01 | Bocchetta olio | Oiler |

1221280_1240V_2 020519 IV

12.40 V

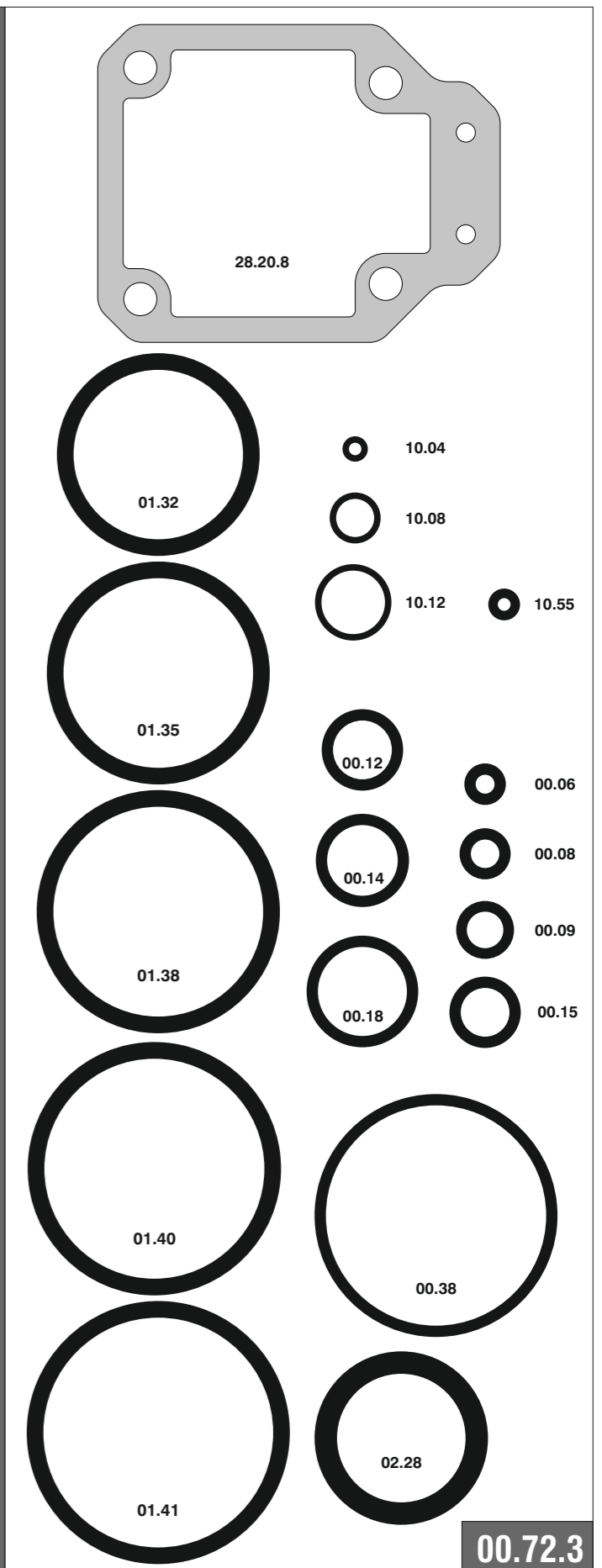
cod. 1221280

Indice di modifica
Upgrade number

2

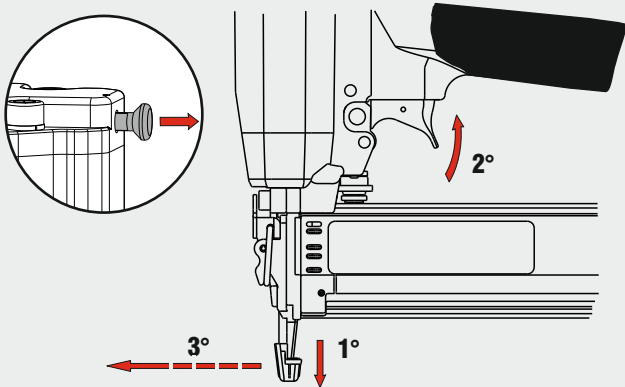
2492474

Guarnizioni - O-Rings - Dichtungen - Joints - Kit O-Rings - Λαστιχάκια - Kit O-Rings - Pakninger



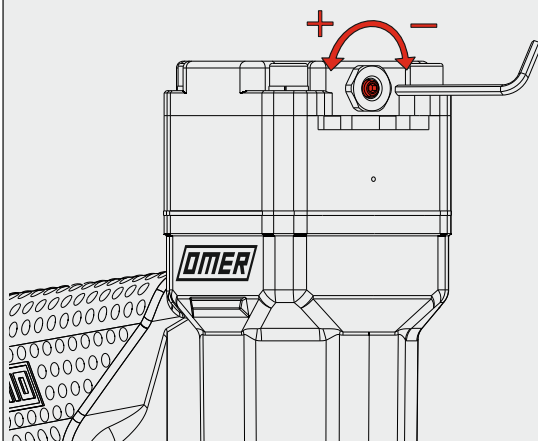
Funzionamento - Operating mode

Automatica Auto-fire

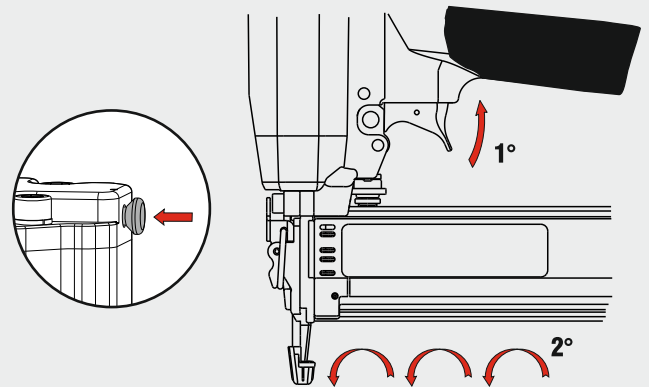


Regolazione della velocità Speed adjustment

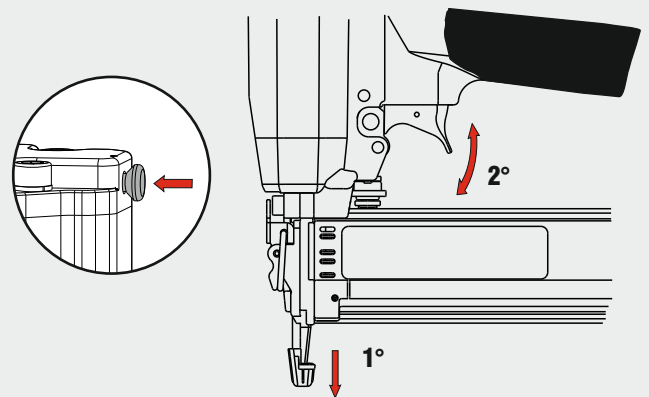
Max 1000 rpm



Colpo martello Bump fire

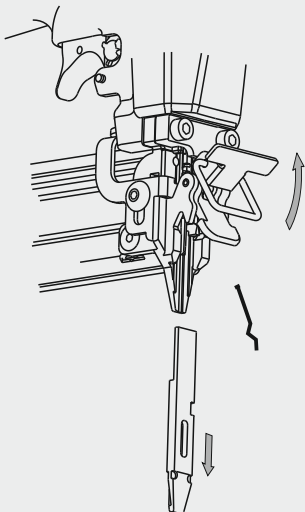


Oppure - Or



Caratteristiche - Features

Disinceppamento macchina Quick clearance jammed nails



Regolatore di profondità Depth adjustment

