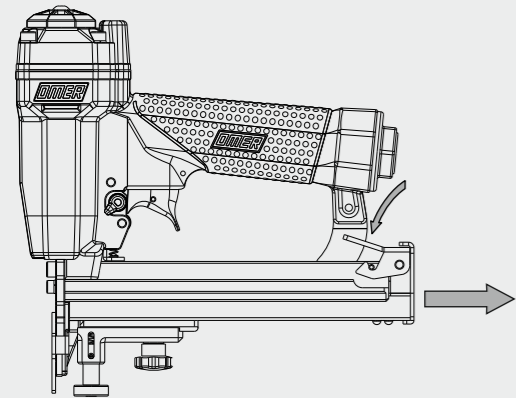


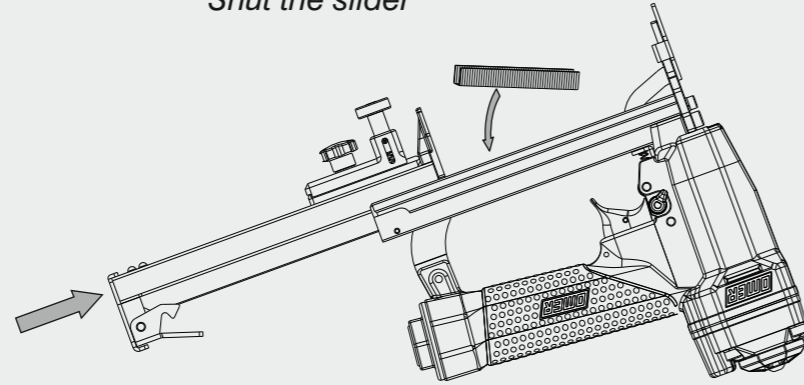
Caricamento - Loading

Caricamento da sotto Bottom load magazine



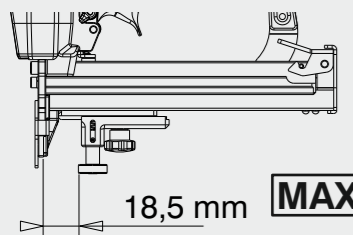
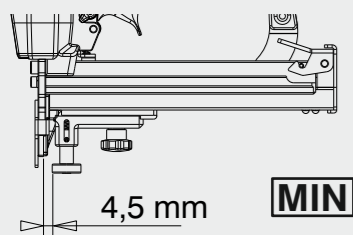
Non azionare MAI il grilletto comando o la sicura a contatto durante il caricamento della graffatrice.
NEVER pull the trigger or the contact safety while loading magazine.

- Inserire le graffe
Load the magazine with staples
- Chiudere il carrello
Shut the slider

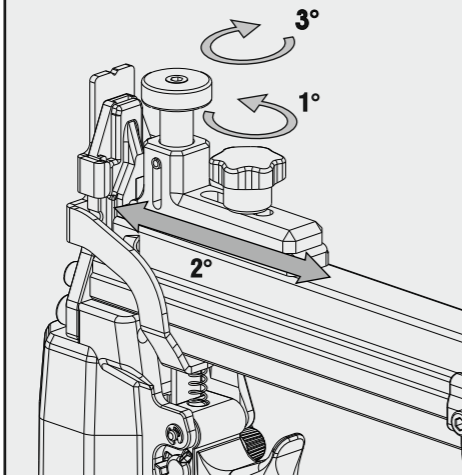


- Premere il grilletto chiusura
Press the magazine latch
- Arretrare il carrello
Pull the slider
- Capovolgere la graffatrice
Turn the tool up side down

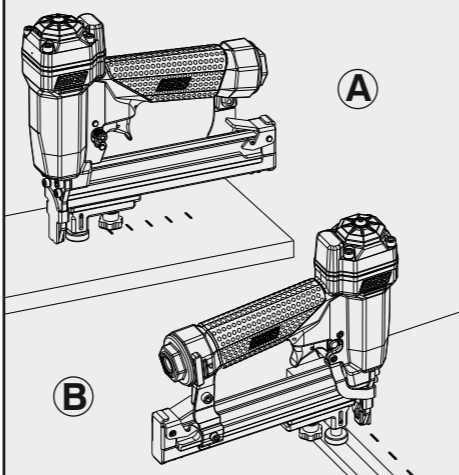
Caratteristiche - Features



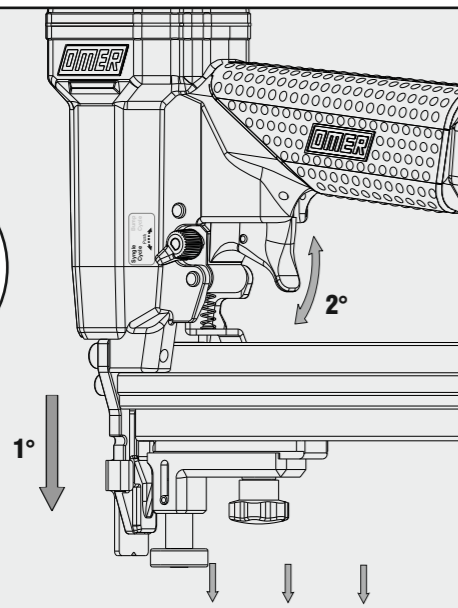
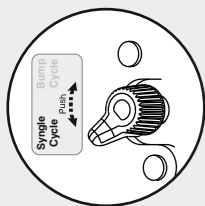
Regolazione distanziale Spacer adjusting



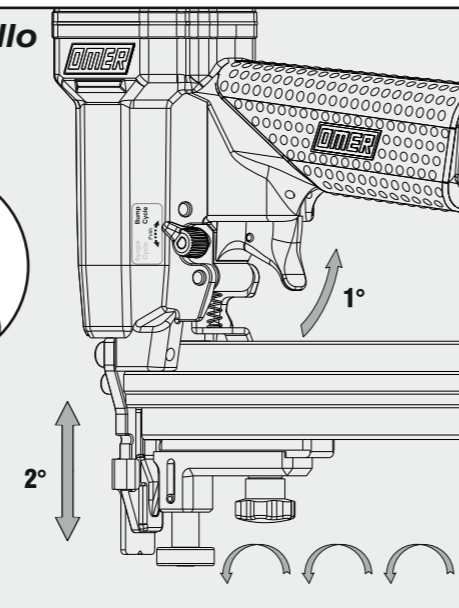
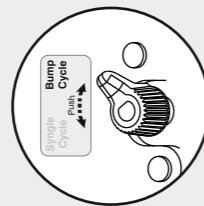
Utilizzo della macchina How to use the tool



Colpo singolo Single shot



Colpo martello Bump fire



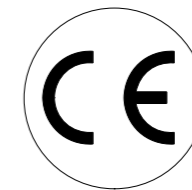
OMER

Manuale d'uso, manutenzione e parti di ricambio
Use, maintenance and spare parts manual
Gebrauchsanweisung, Instandhaltungsrichtlinien und Ersatzteile
Manuel d'utilisation, entretien et pièces de rechange
Manual de uso, mantenimiento y repuestos
Εγχειρίδιο χρήσης, συντήρησης και ανταλλακτικών
Manual de utilização, manutenção e partes sobresselentes
Handleiding voor gebruik, onderhoud en reservedeelslste
Brugsanvisning, vedligeholdelse og reservedeelslste

Parte 2
Part 2
Teil 2
Partie 2
Part 2
2º Μερως
Parte 2
Deel 2
Del 2



90.25 D



1227000D_9025D_2 160714 IV

cod. 1227000D

| Dati tecnici Technical data Technische daten | Données techniques Datos tècnicos Τεχνικά χαρακτηριστικά | Dados tècnicos Technischegegevens Teknische data |
|----------------------------------------------------|----------------------------------------------------------------|--------------------------------------------------------|
|----------------------------------------------------|----------------------------------------------------------------|--------------------------------------------------------|

| | | | |
|------------------------------------------------------------------------------|--------------------------------------------------------------------------------|-----------------------------------------------------------------------------------------|-------------|
| Misure impiegabili mm Usable lengths mm Gebrauchliche Längen mm | Mesures utilisables mm Medidas que se pueden emplear mm Διαστάσεις σε μμ | Medidas que se podem utilizar mm Te gebruiken engtes in mm Brugbare laengder i mm | 9÷25 |
|------------------------------------------------------------------------------|--------------------------------------------------------------------------------|-----------------------------------------------------------------------------------------|-------------|

| | | | |
|-----------------------------------------------------------------------------------------------------|-----------------------------------------------------------------------------------------------------|----------------------------------------------------------------------------------------------------------------|------------|
| Capacità caricatore n° punti Magazine capacity No. of fasteners Magazinkapazität Nägel | Capacité chargeur n° de points Capacidad cargador n° puntos Δυνατότητα γεμιστέρα, σπινδότερες | Capacidade carregador n° pontos Capaciteit magazijn in aantal spijkers Kapacitet af magasin antal klemme | 100 |
|-----------------------------------------------------------------------------------------------------|-----------------------------------------------------------------------------------------------------|----------------------------------------------------------------------------------------------------------------|------------|

| | | | |
|-------------------------------------------------------------------|----------------------------------------------------------------------------|-----------------------------------------------------|-------------------------------------|
| Pressione d'esercizio Working pressure Betriebsdruck | Pression de fonctionnement Presión de trabajo Πίεση λειτουργίας ατμ. | Pressao de trabalho Werkdruk Arbejds tryk bar | 5÷7 bar 70÷100 psi |
|-------------------------------------------------------------------|----------------------------------------------------------------------------|-----------------------------------------------------|-------------------------------------|

| | | | |
|----------------------------------------------------------------------------------------------|---------------------------------------------------------------------------------------|-------------------------------------------------------------------------------|-------------|
| Consumo aria litri/colpo Air consumption litres/shot Luftverbrauch Liter/Schlag | Consommation air litre/coup Consumo aire-litros/golpe Καταναλοση αερα λ/ξετπημα | Consumo ar litro/golpe Luchtverbruik liter/schot Luftforbrug liter/skud | 0,31 |
|----------------------------------------------------------------------------------------------|---------------------------------------------------------------------------------------|-------------------------------------------------------------------------------|-------------|

| | | | |
|-------------------------------------------|---------------------------------|--------------------------------------|-------------|
| Peso kg Weight kg Gewicht kg | Poids kg Peso kg Βαρος κγ | Peso kg Gewicht in kg Vaegt kg | 1,29 |
|-------------------------------------------|---------------------------------|--------------------------------------|-------------|

| | | | |
|-----------------------------------------------------------|---------------------------------------------------------------------|----------------------------------------------------|-------------------|
| Dimensioni (AxBxH) mm Dimensions mm Große mm | Dimension mm Dimensiones mm Δυνατότητα γεμιστέρα, σπινδότερες | Dimencoes mm Afmetingen in mm Dimensioner mm | 226x50x211 |
|-----------------------------------------------------------|---------------------------------------------------------------------|----------------------------------------------------|-------------------|

| | | | |
|-----------------------------------------------------------------------------------------------------------------------------------------------------------|-----------------------------------------------------------------------------------------------------------------------|------------------------------------------------------------------------------------------------------|--------------------------------------------------|
| EN 12549 :1999 ISO 11201 :1995 Pressione sonora in pos. operatore Sound pressure at the workstation Lärmintensität am Arbeitsplatz | Pression acoustique près de l'opérateur Presión sonora en posición encargado Ακουστική πίεση στη θέση χειριστου | Intensidade sonora perto do operador Geluidssterkte op de werkplek Lydstyrke på operatorposten | $L_{pA,1s}$ (Rif. 20μPa) 80,1 dB(A) |
|-----------------------------------------------------------------------------------------------------------------------------------------------------------|-----------------------------------------------------------------------------------------------------------------------|------------------------------------------------------------------------------------------------------|--------------------------------------------------|

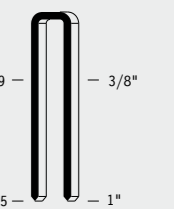
| | | | |
|-----------------------------------------------------------------------------------------------------------------------------|-------------------------------------------------------------------------|-------------------------------------------------------------------------------|------------------------------------------------|
| EN 12549 :1999 ISO 3744 :1994 Potenza sonora emessa Emitted sound power Ausgestrahlte Lärmintensität | Puissance acoustique émise Potencia sonora emitida Ακουστική ισχυ | Potência sonora emitida Uitgestraalde geluidssterkte Udsendt lydstrykke | $L_{WA,1s}$ (Rif. 1pW) 86,9 dB(A) |
|-----------------------------------------------------------------------------------------------------------------------------|-------------------------------------------------------------------------|-------------------------------------------------------------------------------|------------------------------------------------|

| | | | |
|------------------------------------------------------------------------------------------------------------------------------------------------------------------------------------------------------------------|--------------------------------------------------------------------------------------------------------------------------------------------------------------------------|------------------------------------------------------------------------------------------------------------------------------------|--------------------------------|
| EN 28662 :1992 ISO 5349 :1986 ISO 8662 -11 Valore medio ponderato di vibrazione sull'impugnatura Weighted mean value of vibration on the grip Mittlerer Vibrationswert, am Griff Gemessen | Valeur moyenne pondérée de vibration mesurée sur la poignée Valor medio ponderado de vibracion medida en la empuñadura Μεσοσ ορος μετρησης κραδασιων στη χειρολαβη | Valor medio ponderado de vibracao medida no punho Gewogen gemiddelde vibratiewaarde Middelvaerdi af vibrationer pa handtaget | <2,5 m/s² |
|------------------------------------------------------------------------------------------------------------------------------------------------------------------------------------------------------------------|--------------------------------------------------------------------------------------------------------------------------------------------------------------------------|------------------------------------------------------------------------------------------------------------------------------------|--------------------------------|

Tipo di punto
Type of fastener
Befestigungselement
Type d'agrafe
Tipo de punto
Τυπος κάρφιου
Tipo de ponto
Type nietjes
Tilspændingstype

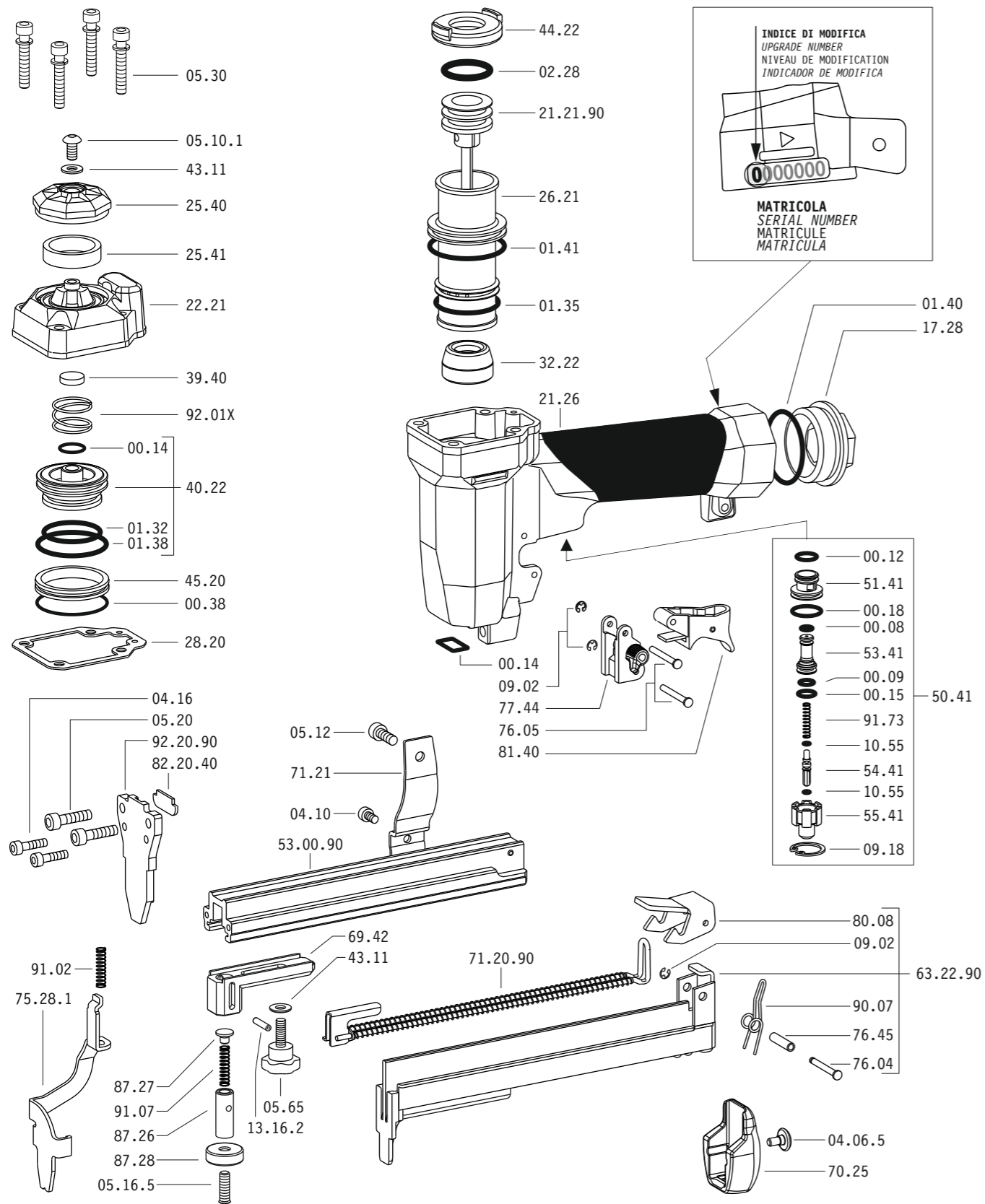
90

1,00x1,25

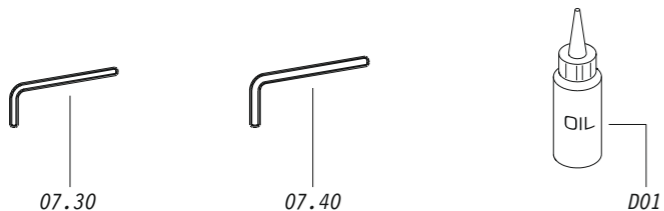


Gauge: 18
Crown: .217" (1/4")

Parti di ricambio - Spare parts - Ersatzteile - Pièces de rechange - Piezas de repuesto
Ανταλλακτικά - Partes sobresselentes - Tabel te raadplegen - Reservedele



Dotazioni - Equipment - Ausrüstung - Équipements - Equipamiento - Παρεχόμενα
Equipamento - Uitrusting - Udstyr



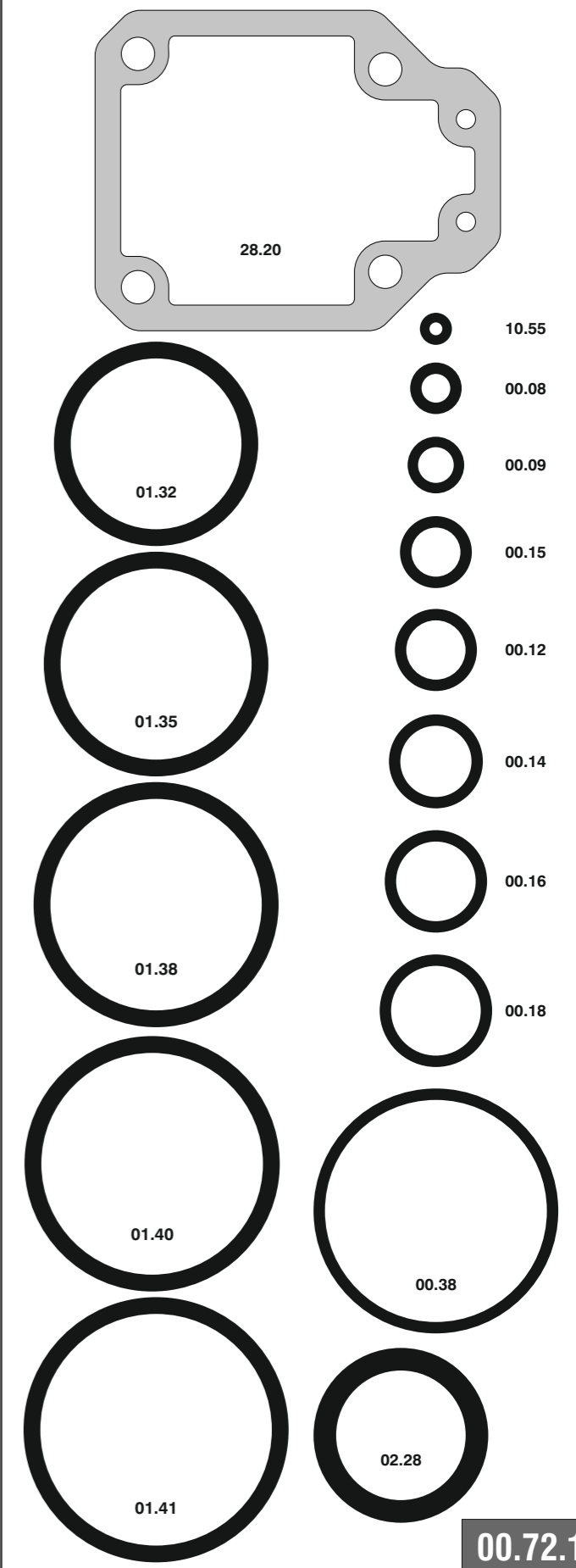
90.25 D

cod. 122700D

Parti di ricambio - Spare parts - Ersatzteile - Pièces de rechange - Piezas de repuesto
Ανταλλακτικά - Partes sobresselentes - Tabel te raadplegen - Reservedele

| Cod. | Descrizione | Description |
|----------|----------------------|-----------------------|
| 00.08 | O-Ring | O-Ring |
| 00.09 | O-Ring | O-Ring |
| 00.12 | O-Ring | O-Ring |
| 00.14 | O-Ring | O-Ring |
| 00.15 | O-Ring | O-Ring |
| 00.18 | O-Ring | O-Ring |
| 00.38 | O-Ring | O-Ring |
| 01.32 | O-Ring | O-Ring |
| 01.35 | O-Ring | O-Ring |
| 01.38 | O-Ring | O-Ring |
| 01.40 | O-Ring | O-Ring |
| 01.41 | O-Ring | O-Ring |
| 02.28 | O-Ring | O-Ring |
| 04.06.5 | Vite | Screw |
| 04.10 | Vite | Screw |
| 04.16 | Vite | Screw |
| 05.10.1 | Vite | Screw |
| 05.16.5 | Vite | Screw |
| 05.20 | Vite | Screw |
| 05.30 | Vite | Screw |
| 05.65 | Vite | Screw |
| 07.30 | Chiave esagonale | Hex. bar wrench |
| 07.40 | Chiave esagonale | Hex. bar wrench |
| 09.02 | Anello elastico | Elastic ring |
| 09.18 | Anello elastico | Elastic ring |
| 10.55 | O-Ring | O-Ring |
| 13.16.2 | Spina | Pin |
| 17.28 | Tappo | Inlet cap |
| 21.26 | Corpo | Body |
| 22.21 | Testa | Head |
| 25.40 | Deflettore | Exhaust deflector |
| 25.41 | Silenziatore | Silencer |
| 26.21 | Cilindro | Cylinder |
| 28.20 | Guarnizione testa | Head gasket |
| 32.22 | Ammortizzatore | Bumper |
| 39.40 | Guarnizione scarico | Exhaust seal |
| 40.22 | Valvola completa | Valve ass'y |
| 43.11 | Rondella | Washer |
| 44.22 | Guarnizione | Gasket |
| 45.20 | Anello valvola | Ring |
| 50.41 | Pulsante completo | Trigger valve ass'y |
| 51.41 | Boccola pulsante | Trigger valve housing |
| 53.41 | Pistone servovalvola | Valve piston |
| 54.41 | Pulsante | Trigger valve |
| 55.41 | Raccordo pulsante | Bush |
| 69.42 | Distanziatore | Spacer |
| 70.25 | Protezione | Guard |
| 71.21 | Reggicaricatore | Support |
| 75.28.1 | Sicura | Safety |
| 76.04 | Perno | Pin |
| 76.05 | Perno | Pin |
| 76.45 | Perno molla | Pin |
| 77.44 | Guida sicura | Safety guide |
| 80.08 | Grilletto chiusura | Trigger |
| 81.40 | Grilletto comando | Trigger |
| 87.26 | Perno | Pin |
| 87.27 | Portamolla | Supporter |
| 87.28 | Cuscinetto | Bearing |
| 90.07 | Molla | Spring |
| 91.02 | Molla | Spring |
| 91.07 | Molla | Spring |
| 91.73 | Molla | Spring |
| 92.01X | Molla | Spring |
| 21.21.90 | Battente | Driver |
| 53.00.90 | Caricatore | Magazine |
| 63.22.90 | Carrello | Slider |
| 72.20.90 | Spingipunto | Pusher |
| 82.20.40 | Controtestina | Nose |
| 92.20.90 | Testina | Nose plate |
| D01 | Bocchetta olio | Oiler |

Guarnizioni - O-Rings - Dichtungen - Joints - Kit O-Rings - Ασπινγκια - Kit O-Rings - Pakninger



122700D_9025D_2_160714_IV

90.25 D

cod. 122700D

Indice di modifica
Upgrade number

2

2296725