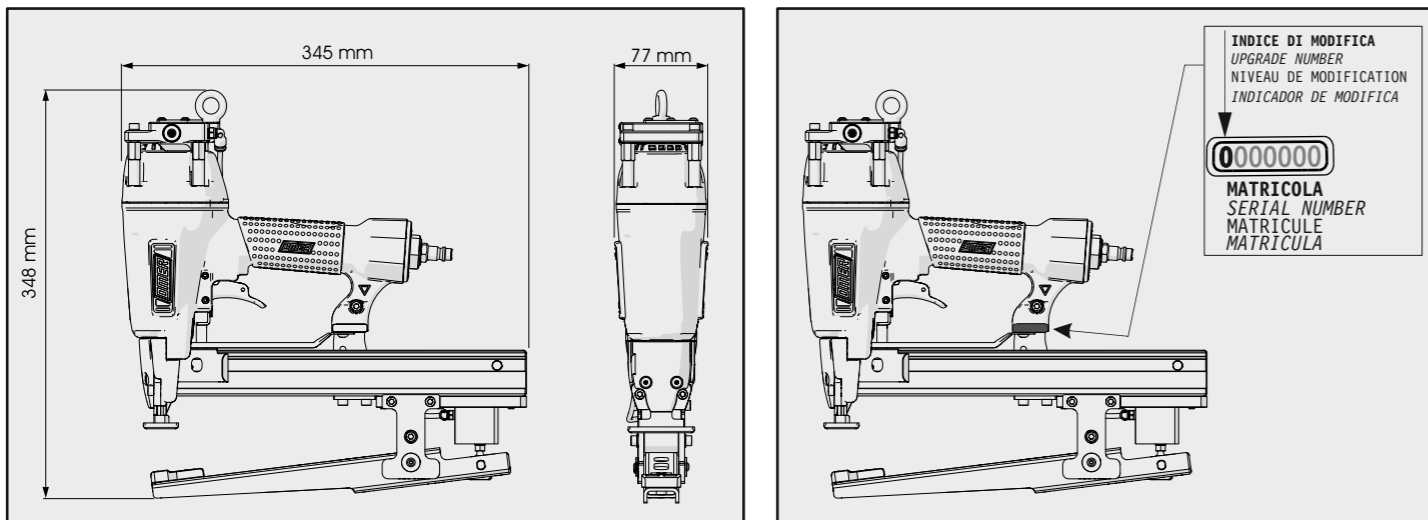
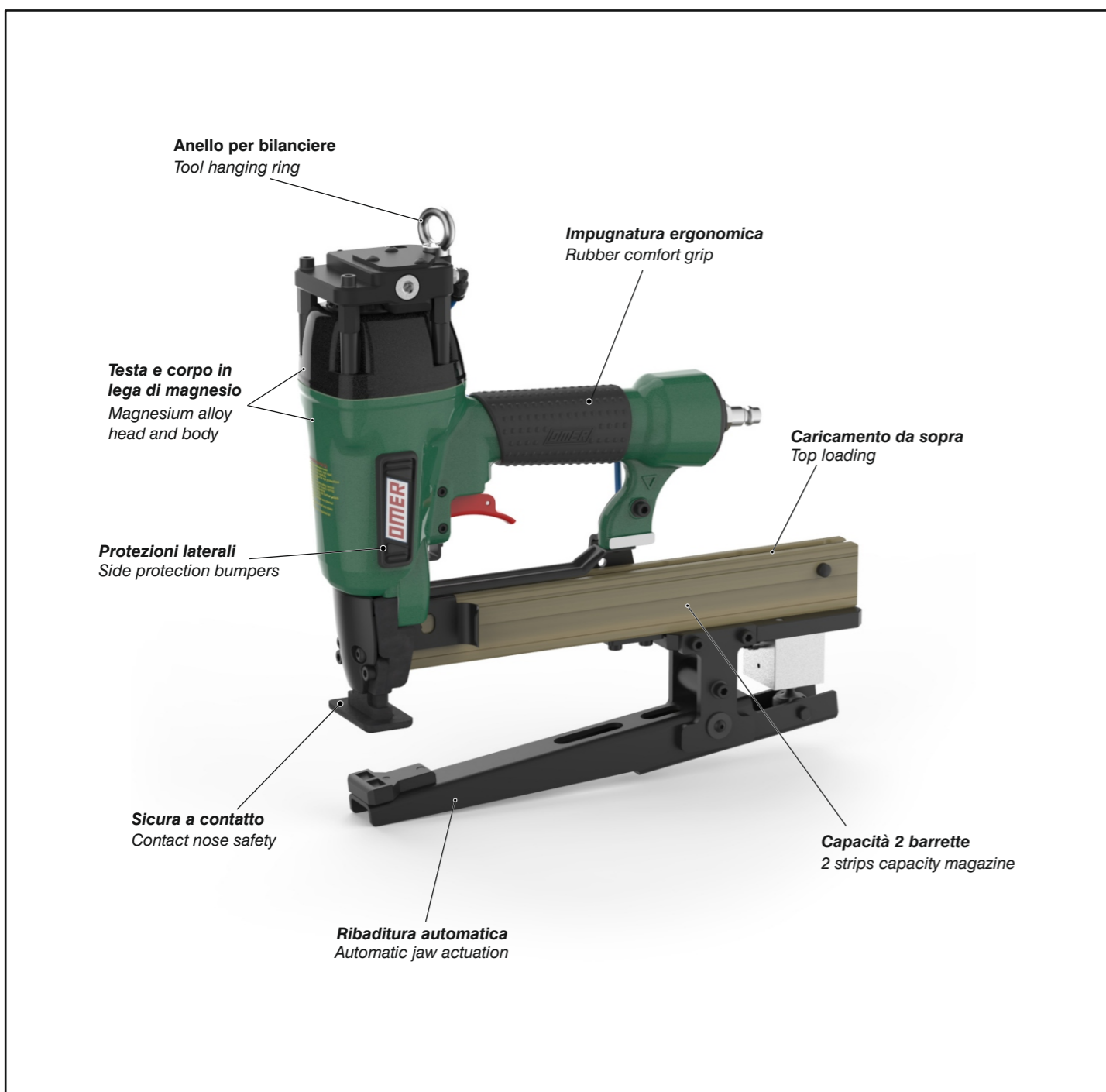


## Dati tecnici - Technical data



## Caratteristiche - Features



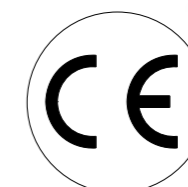
# OMER

**Manuale d'uso, manutenzione e parti di ricambio**  
Use, maintenance and spare parts manual  
Gebrauchsanweisung, Instandhaltungsrichtlinien und Ersatzteile  
Manuel d'utilisation, entretien et pièces de rechange  
Manual de uso, mantenimiento y repuestos  
Εγχειρίδιο χρήσης, συντήρησης και ανταλλακτικών  
Manual de utilização, manutenção e partes sobresselentes  
Handleiding voor gebruik, onderhoud en reservedeelslste  
Brugsanvisning, vedligeholdelse og reservedeelslste

**Parte 2**  
Part 2  
Teil 2  
Partie 2  
Part 2  
2º Μερὸς  
Parte 2  
Deel 2  
Del 2



# PL 590.738



1748710PL\_PL590738\_4 160419 IV

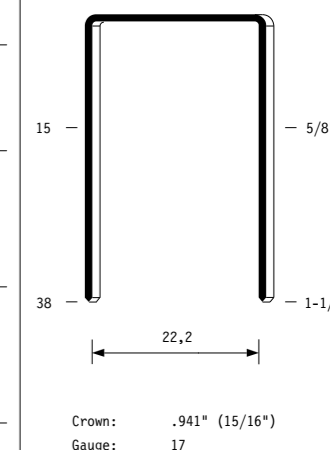
cod. 1748710PL

Dati tecnici Technical data Technische daten	Données techniques Datos tècnicos Τεχνικά χαρακτηριστικά	Dados tècnicos Technischegegevens Tekniske data
<b>Misure impiegabili mm</b> Usable lengths mm Gebrauchliche Längen mm	Mesures utilisables mm Medidas que se pueden emplear mm Διαστάσεις σε μμ	Medidas que se podem utilizar mm Te gebruiken engtes in mm Brugbare laengder i mm
<b>Capacità caricatore n° punti</b> Magazine capacity No. of fasteners Magazinkapazität Nägel	Capacité chargeur n° de points Capacidad cargador n° puntos Δυνατότητα γεμιστέρα, σπινδύτερες	Capacitade carregador n° pontos Capaciteit magazijn in aantal spijkers Kapacitet af magasin antal klemme
<b>Pressione d'esercizio</b> Working pressure Betriebsdruck	Pression de fonctionnement Presión de trabajo Πίεση λειτουργίας ατμ.	Pressao de trabalho Werkdruk Arbejds tryk bar
<b>Consumo aria litri/colpo</b> Air consumption litres/shot Luftverbrauch Liter/Schlag	Consommation air litre/coup Consumo aire-litros/golpe Καταναλοση αερα λ/ξτῶπημα	Consumo ar litro/golpe Luchtverbruik liter/schot Luftforbrug liter/skud
<b>Peso kg</b> Weight kg Gewicht kg	Poids kg Peso kg Βαρος κγ	Peso kg Gewicht in kg Vaegt kg
<b>Dimensioni (AxH) mm</b> Dimensions mm Größe mm	Dimension mm Dimensiones mm Δυνατότητα γεμιστέρα, σπινδύτερες	Dimencoes mm Afmetingen in mm Dimensioner mm
<b>EN 12549 :1999 ISO 11201 :1995</b> <b>Pressione sonora in pos. operatore</b> Sound pressure at the workstation Lärmintensität am Arbeitsplatz	Pression acoustique près de l'opérateur Presión sonora en posición encargado Ακουστική πίεση στη θέση χειριστού	Intensidade sonora perto do operador Geluidsterkte op de werkplek Lydstyrke på operatorposten
<b>EN 12549 :1999 ISO 3744 :1994</b> <b>Potenza sonora emessa</b> Emitted sound power Ausgestrahlte Lärmintensität	Puissance acoustique émise Potencia sonora emitida Ακουστική ισχυ	Potência sonora emitida Uitgestraalde geluidsterkte Udsendt lydstryke
<b>EN 28662 :1992 ISO 5349 :1986 ISO 8662 -11</b> <b>Valore medio ponderato di vibrazione sull'impugnatura</b> Weighted mean value of vibration on the grip Mitteler Vibrationswert, am Griff Gemessen	Valeur moyenne pondérée de vibration mesurée sur la poignée Valor medio ponderado de vibracion medida en la empuñadura Μεσοσ ορος μετρησης κραδασμων στη χειρολαβη	Valor medio ponderado de vibracao medida no punho Gewogen gemiddelde vibratiewaarde Middelvaerdi af vibrationer pa handtaget

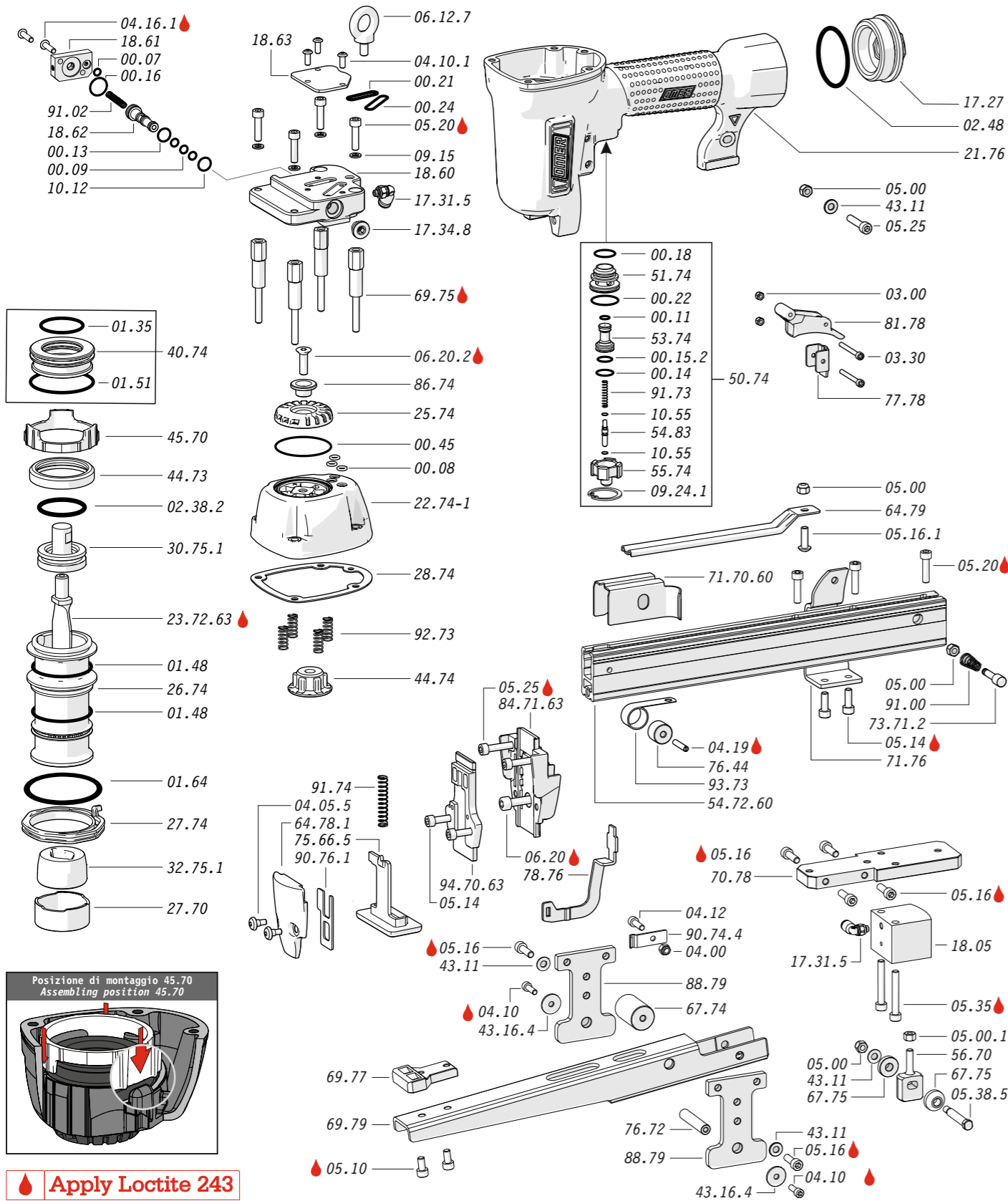
**Tipo di punto**  
Type of fastener  
Befestigungselement  
Type d'agrafe  
Tipo de punto  
Τυπος κάρφιου  
Tipo de ponto  
Type nietjes  
Tilspændingstype

590

0,85x1,80

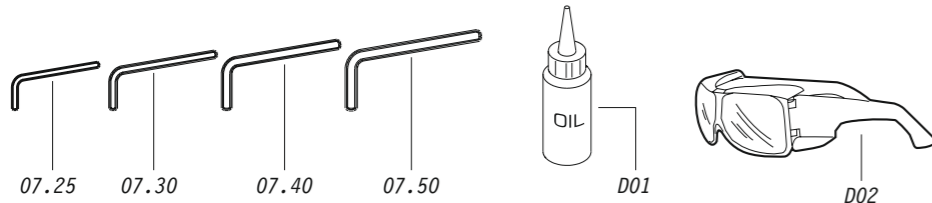


Parti di ricambio - Spare parts - Ersatzteile - Pièces de rechange - Piezas de repuesto  
Ανταλλακτικά - Partes sobresselentes - Tabel te raadplegen - Reservedele



Apply Loctite 243

Dotazioni - Equipment - Ausrüstung - Équipements - Equipamiento - Παρεχομενα  
Equipamento - Uitrusting - Udstyr



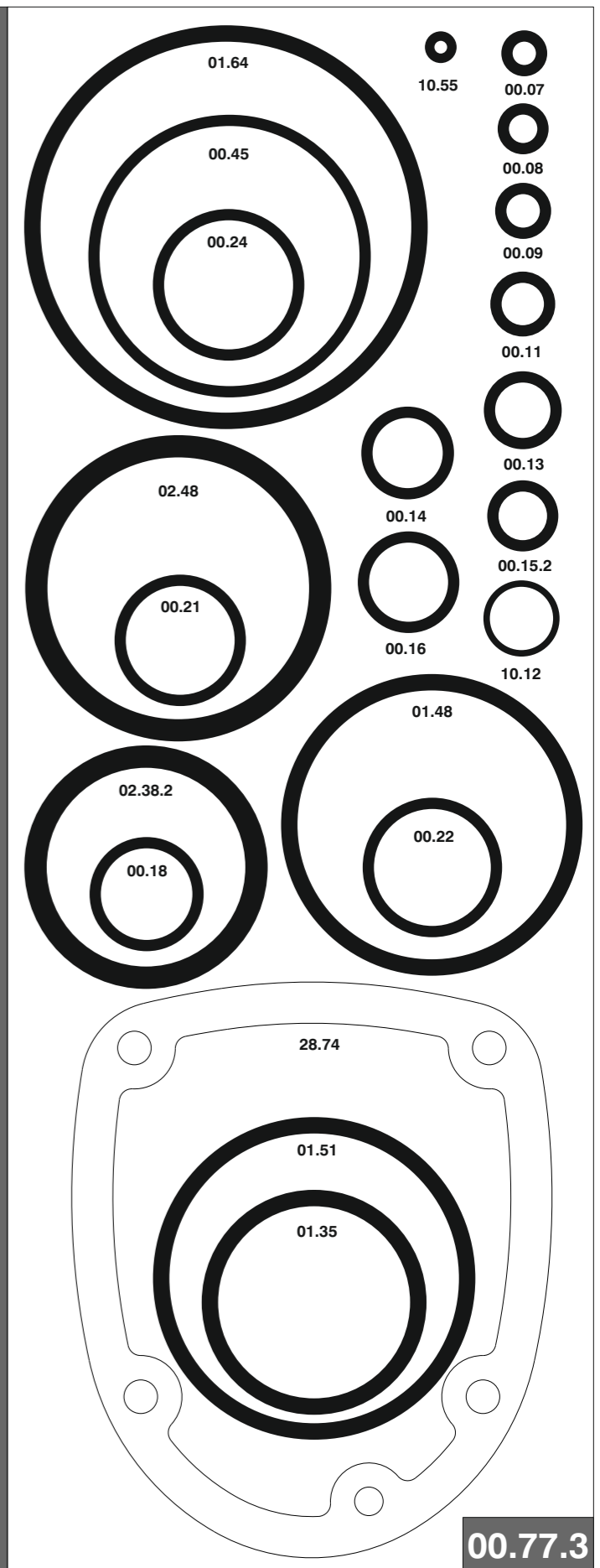
**PL 590.738**

cod. 1748710PL

Parti di ricambio - Spare parts - Ersatzteile - Pièces de rechange - Piezas de repuesto  
Ανταλλακτικά - Partes sobresselentes - Tabel te raadplegen - Reservedele

Cod.	Descrizione	Description
00.07	O-Ring	O-Ring
00.08	O-Ring	O-Ring
00.09	O-Ring	O-Ring
00.11	O-Ring	O-Ring
00.13	O-Ring	O-Ring
00.14	O-Ring	O-Ring
00.15.2	O-Ring	O-Ring
00.16	O-Ring	O-Ring
00.18	O-Ring	O-Ring
00.21	O-Ring	O-Ring
00.22	O-Ring	O-Ring
00.24	O-Ring	O-Ring
00.45	O-Ring	O-Ring
01.35	O-Ring	O-Ring
01.48	O-Ring	O-Ring
01.51	O-Ring	O-Ring
01.64	O-Ring	O-Ring
02.38.2	O-Ring	O-Ring
02.48	O-Ring	O-Ring
03.00	Dado	Nut
03.30	Dado	Nut
04.00	Dado	Nut
04.05.5	Vite	Screw
04.10	Vite	Screw
04.12	Vite	Screw
04.16.1	Vite	Screw
04.19	Vite	Screw
05.00	Dado	Nut
05.00.1	Dado	Nut
05.10	Vite	Screw
05.14	Vite	Screw
05.16.1	Vite	Screw
05.16.1	Vite	Screw
05.20	Vite	Screw
05.25	Vite	Screw
05.35	Vite	Screw
05.38.5	Vite	Screw
06.12.7	Vite	Screw
06.20	Vite	Screw
06.20.2	Vite	Screw
07.25	Chiave esagonale	Hex. bar wrench
07.30	Chiave esagonale	Hex. bar wrench
07.40	Chiave esagonale	Hex. bar wrench
07.50	Chiave esagonale	Hex. bar wrench
09.15	Rondella	Washer
09.24.1	Anello elastico	Elastic ring
10.55	O-Ring	O-Ring
17.27	Tappo	Inlet cap
17.31.5	Raccordo	Connection
17.34.8	Tappo	Inlet cap
18.05	Cilindro pneumatico	Pneumatic cylinder
18.60	Corpo valvola	Valve body
18.61	Tappo valvola	Valve cap
18.62	Pistone servovalvola	Servo valve piston
18.63	Piastrina	Plate
21.76	Corpo	Body
22.74-1	Testa	Head
25.74	Deflettore scarico	Exhaust deflector
26.74	Cilindro	Cylinder
27.00	Anello	Ring
27.74	Anello cilindro	Cylinder ring
28.74	Guarnizione testa	Head gasket
30.75.1	Pistone	Piston
32.75.1	Ammortizzatore	Bumper
40.74	Valvola completa	Valve assembled
43.11	Rondella	Washer
43.16.4	Rondella	Washer
44.73	Guarnizione cilindro	Cylinder gasket
44.74	Ammortizzatore sup.	Upper bumper
45.70	Distanziale	Spacer
50.74	Pulsante completo	Trigger valve assy
51.74	Boccola servoalvola	Servo valve bushing
53.74	Pistone servoalvola	Servo valve piston
54.83	Pulsante	Trigger valve
55.74	Raccordo pulsante	Trigger valve bush
56.70	Cerniera	Hinge
64.78.1	Carter sicura	Safety guard
64.79	Carter	Hold down
67.74	Distanziale	Spacer
67.75	Distanziale	Spacer
69.75	Distanziale	Spacer
69.77	Ribaditore	Reverter
69.79	Ganascia	Jaw
70.78	Supporto	Support
71.76	Reggicaricatore	Support
73.71.2	Perno	Pin
75.66.5	Sicura	Safety
76.44	Rullo molla	Roller
76.72	Perno	Pin
77.78	Guida sicura	Safety guide
78.76	Staffa sicura	Safety rod
81.78	Grilletto comando BF	BF Trigger
86.74	Boccola comando BF	Bushing
88.79	Supporto	Support
90.76.1	Piastrina	Plate
90.74.4	Piastrina	Plate
91.00	Molla	Spring
91.02	Molla	Spring
91.73	Molla	Spring
91.74	Molla	Spring
92.73	Molla	Spring
93.73	Molla	Spring
23.72.63	Batteria	Driver
54.72.60	Caricatore	Magazine
71.70.60	Spingipunto	Pusher
84.71.63	Controtestina	Nose
94.70.63	Testina	Nose plate
D01	Bocchetta olio	Oiler
D02	Occhiali protettivi	Protective goggles

Guarnizioni - O-Rings - Dichtungen - Kits - O-Rings - Λαστιχακια - Kit O-Rings - Pakninger



1748710PL\_PL590738\_4\_160419\_IV

**PL 590.738**

cod. 1748710PL

Indice di modifica  
Upgrade number

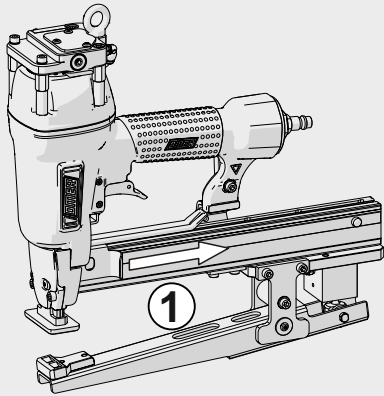
4

4501580

## Caricamento - Loading

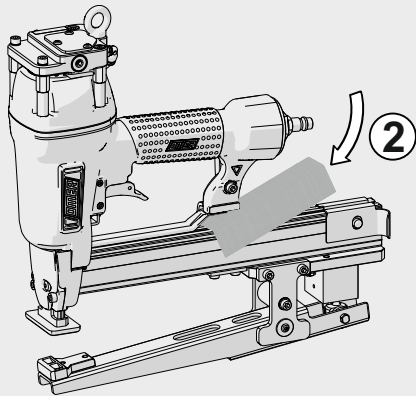
### 1- Arretrare lo spingipunto e agganciarlo al finecorsa

Pull the pusher backwards and lock it at the stop position at the end of the magazine



### 2- Inserire le graffe

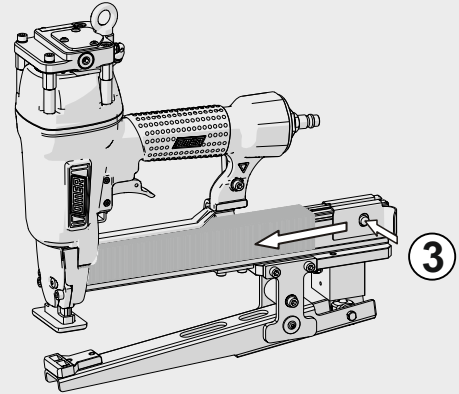
Load the magazine with staples



**Non azionare MAI il grilletto comando o la sicura a contatto durante il caricamento.**  
**NEVER actuate the trigger or the contact safety while loading.**

### 3- Rilasciare lo spingipunto

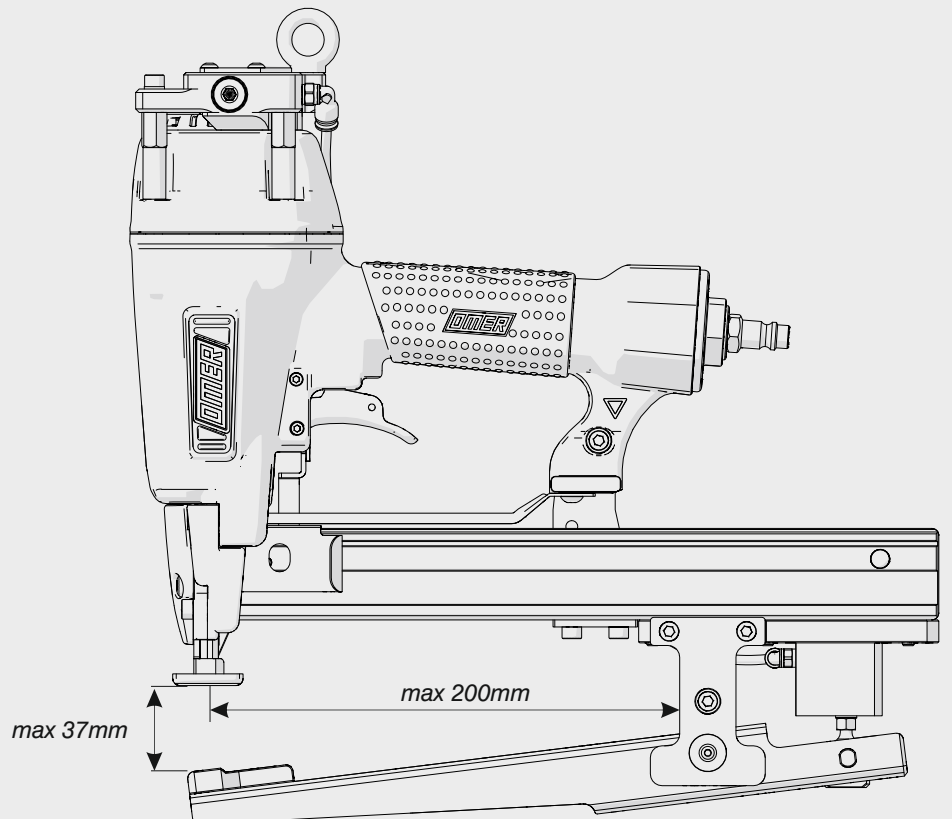
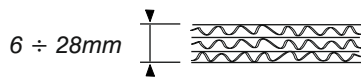
Release the pusher



## Dimensioni ganascia - Jaw dimension

### Materiale da fissare

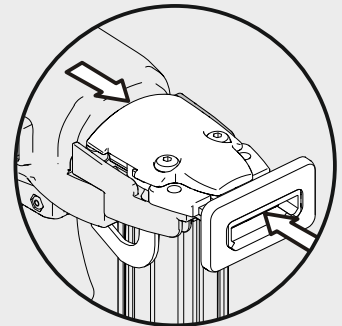
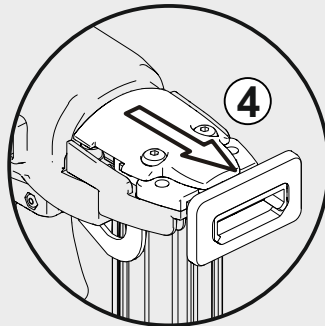
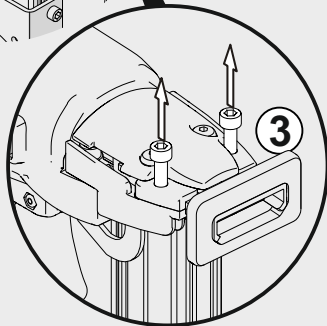
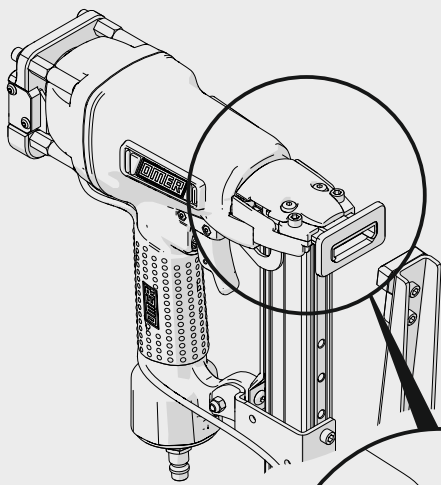
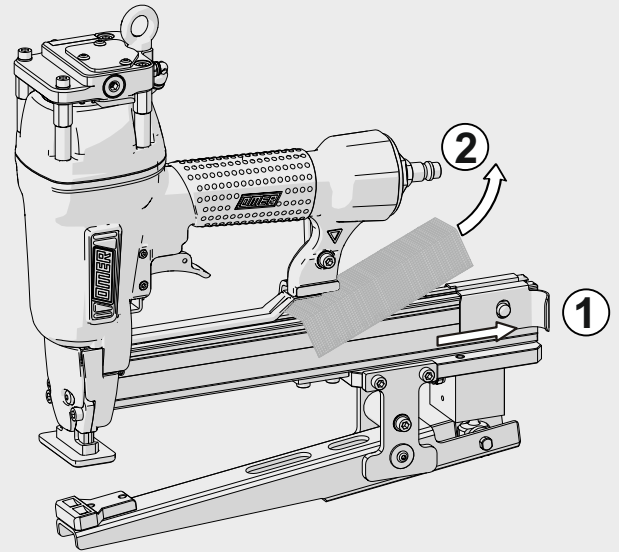
Material to fasten



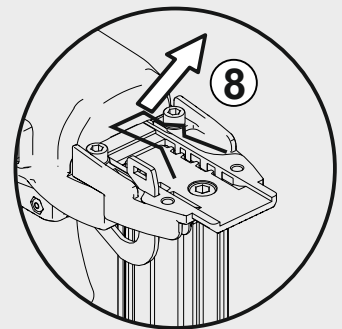
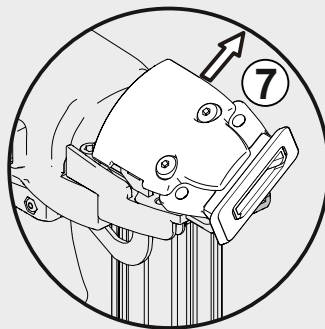
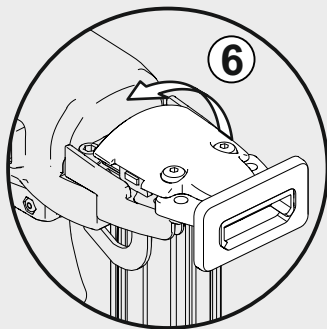
# Disinceppamento - Jam clearing



**Scollegare la chiodatrice dall'impianto durante le operazioni di disinceppamento.**  
Disconnect the tool from air supply while clearing a jam and maintenance.



**Mantenere premuto**  
Keep pressed



**7**

**Riassemblare in ordine inverso**



**Reassemble in reverse order**

**1**