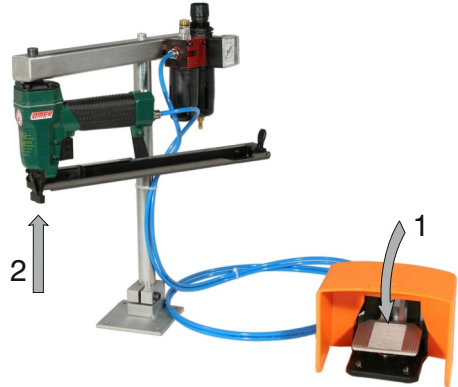


Funzionamento e Collegamento - Functioning and Connection

Funzionamento:

Functioning:

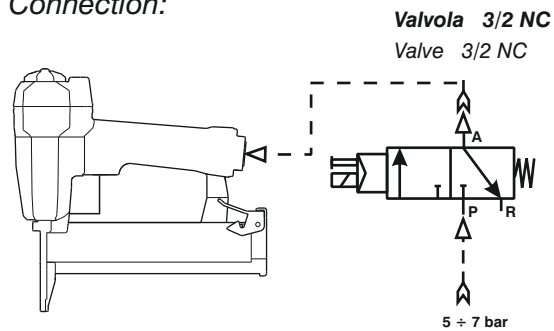
- 1 - Premere e mantenere premuto il pedale**
Press the foot pedal and keep it pushed
- 2 - Azionare il tastatore con il materiale da fissare**
Activate the actuator by pressing against it the material to be fastened.



- Azionare il tastatore SOLO con il materiale da fissare.
Press the actuator ONLY with the material to be fastened.
- Non azionare MAI il pedale comando o il tastatore durante le fasi di caricamento e disinceppamento.
NEVER press the foot-control lever or the actuator while loading or while cleaning a jammed stapler.

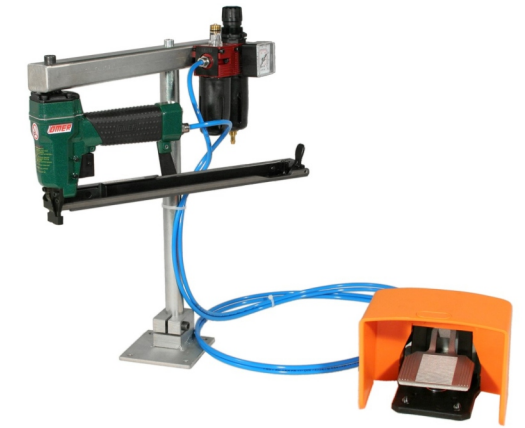
Collegamento:

Connection:



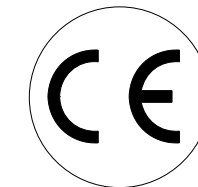
Manuale d'uso, manutenzione e parti di ricambio
Use, maintenance and spare parts manual
Gebrauchsanweisung, Instandhaltungsrichtlinien und Ersatzteile
Manuel d'utilisation, entretien et pièces de rechange
Manual de uso, mantenimiento y repuestos
Εγχειρίδιο χρήσης, συντηρησης και ανταλλακτικών
Manual de utilização, manutenção e partes sobresselentes
Handleiding voor gebruik, onderhoud en reservedeelslste
Brugsanvisning, vedligeholdelse og reservedeelslste

Parte 2
Part 2
Teil 2
Partie 2
Part 2
2° Μερος
Parte 2
Deel 2
Del 2



80.16 CLC MINI-REST

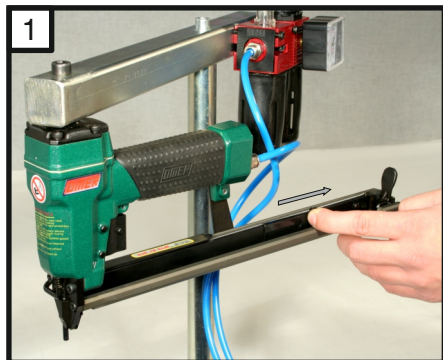
cod. 11460510MR



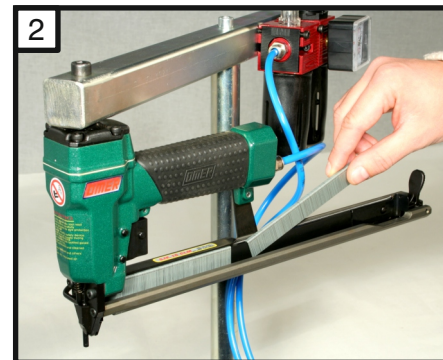
11460510MR_8016CLCMMINIREST_6 161013 IV

Caricamento - Loading

- 1 - Arretrare lo spingipunto fino al blocco finecorsa**
Pull the pusher backwards till the stop position at the rear of the tool

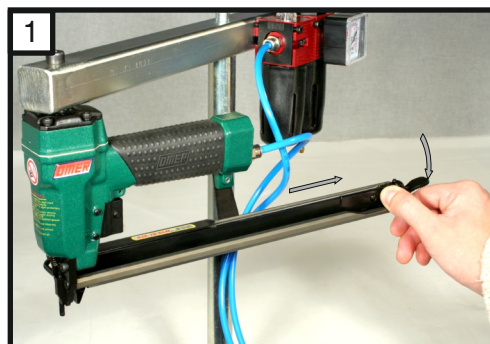


- 2 - Inserire le graffe e rilasciare lo spingipunto**
Load the magazine with staples and release the pusher

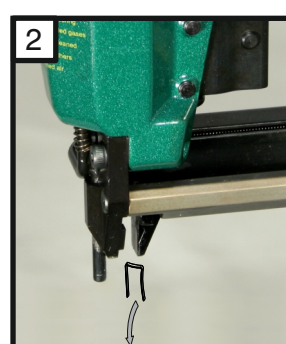


Disinceppamento macchina - Quick clearance for jammed staples

- 1 - Aprire il grilletto chiusura, arretrare lo spingipunto e poi il carrello**
Unlock the latch, pull the pusher and then the slider backwards



- 2 - Estrarre la graffa, chiudere il carrello, il grilletto chiusura e infine rilasciare lo spingipunto**
Remove the obstructing staple, close the slider, the magazine latch and release the pusher



Dati tecnici

Technical data
Technische daten

Données techniques

Datos técnicos
Τεχνικά χαρακτηριστικά

Dados técnicos

Technische gegevens
Teknische data

Misure impiegabili mm Usable lengths mm Gebrauchliche Längen mm	Mesures utilisables mm Medidas que se pueden emplear mm Διαστάσεις σε μμ	Medidas que se podem utilizar mm Te gebruiken engtes in mm Brugbare laengder i mm	4 ÷ 16
Capacità caricatore n° punti Magazine capacity No. of fasteners Magazinkapazität Nägel	Capacité chargeur n° de points Capacidad cargador n° puntos Δυνατότητα γεμιστερα, σπινδετερου	Capacidade carregador n° pontos Capaciteit magazijn in aantal spijkers Kapacitet af magasin antal klemme	270
Pressione d'esercizio Working pressure Betriebsdruck	Pression de fonctionnement Presión de trabajo Πίεση λειτουργιας ατμ.	Pressao de trabalho Werkdruk Arbejds tryk bar	4 ÷ 6 bar 60 ÷ 90 psi
Consumo aria litri/colpo Air consumption litres/shot Luftverbrauch Liter/Schlag	Consommation air litre/coup Consumo aire-litros/golpe Καταναλοση αερα λ/ξτωπημα	Consumo ar litro/golpe Luchtverbruik liter/schot Luftforbrug liter/skud	0,13
Peso kg Weight kg Gewicht kg	Poids kg Peso kg Βαρος κγ	Peso kg Gewicht in kg Vaegt kg	7,10
Dimensioni (AxBxH) mm Dimensions mm Größe mm	Dimension mm Dimensiones mm Δυνατότητα γεμιστερα, σπινδετερου	Dimencoes mm Afmetingen in mm Dimensioner mm	370x170x425

EN 12549 :1999 ISO 11201 :1995

Pressione sonora in pos. operatore Sound pressure at the workstation Lärmintensität am Arbeitsplatz	Pression acoustique près de l'opérateur Presión sonora en posición encargado Ακουστική πιεση στη θεση χειριστου	Intensidade sonora perto do operador Geluidssterkte op de werkplek Lydstyrke på operatorposten	84,3 dB(A)
--	---	--	-------------------

EN 12549 :1999 ISO 3744 :1994

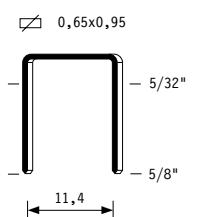
Potenza sonora emessa Emitted sound power Ausgestrahlte Lärmintensität	Puissance acoustique émise Potencia sonora emitida Ακουστική ισχυ	Potência sonora emitida Uitgestraalde geluidssterkte Udsendt lydstryke	93,7 dB(A)
---	---	--	-------------------

EN 28662 :1992 ISO 5349 :1986 ISO 8662 -11

Valore medio ponderato di vibrazione sull'impugnatura max.33 colpi Weighted mean value of vibration on the grip max.33 shots Mitteler Vibrationswert, am Griff gemessen max.33 Schäge	Valeur moyenne pondérée de vibration mesurée sur la poignée max.33 coups Valor medio ponderado de vibracion medida en la empunadura max.33 golv Μεσος ορος μετρησις κραδασιμον στη χειρολαβη max.33 ξτωπημα	Valor medio ponderado de vibracao medida no punho max.33 golpes Gewogen gemiddelde vibratiewaarde max.33 schot Middelvaerdi af vibrationer pa handtaget max.33 skud	<2,5 m/s²
--	---	---	--------------------------------

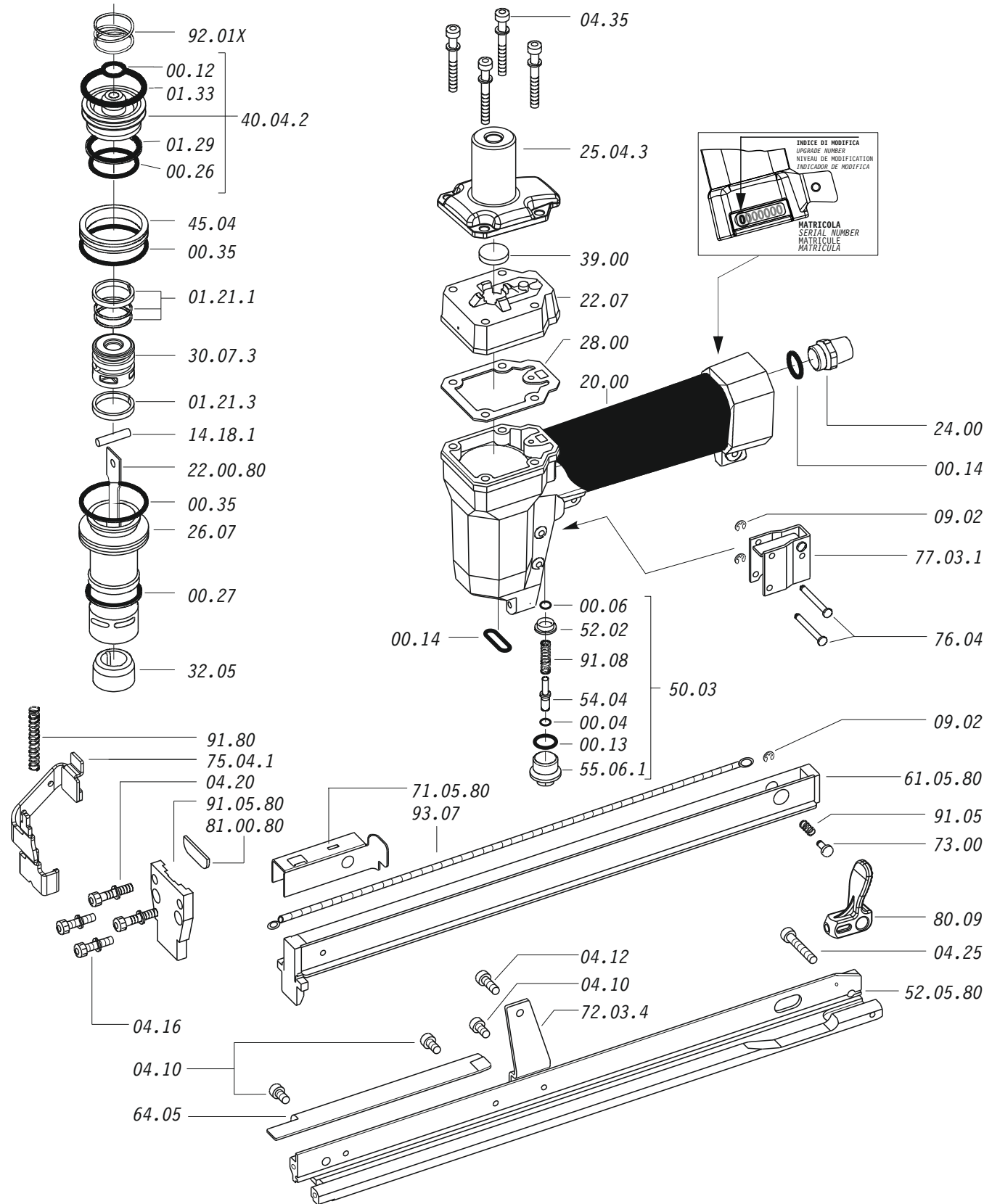
Tipo di punto
Type of fastener
Befestigungselement
Type d'agrafe
Tipo de punto
Τυπος καρφιου
Tipo de ponto
Type nietjes
Tilspændingstype

80



Gauge: 21
Crown: .500" (1/2")

Parti di ricambio - Spare parts - Ersatzteile - Pièces de rechange - Piezas de repuesto
Ανταλλακτικά - Partes sobresselentes - Tabel te raadplegen - Reservedele



Dotazioni - Equipment - Ausrüstung - Équipements - Equipamiento - Παρεχόμενα
Equipamento - Uitrusting - Udstyr



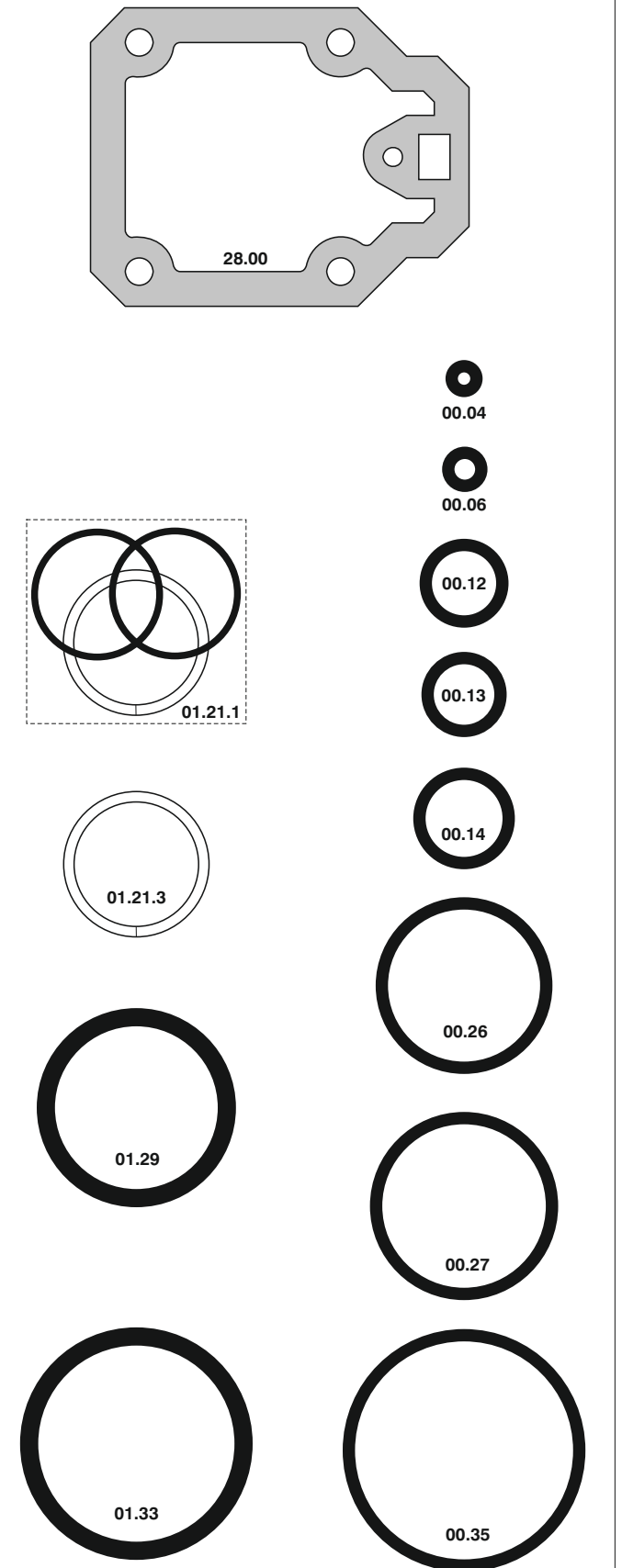
**80.16 CLC
MINI-REST**

cod. 11460510MR

Parti di ricambio - Spare parts - Ersatzteile - Pièces de rechange - Piezas de repuesto
Ανταλλακτικά - Partes sobresselentes - Tabel te raadplegen - Reservedele

Cod.	Descrizione	Description
00.04	O-Ring	O-Ring
00.06	O-Ring	O-Ring
00.12	O-Ring	O-Ring
00.13	O-Ring	O-Ring
00.14	O-Ring	O-Ring
00.26	O-Ring	O-Ring
00.27	O-Ring	O-Ring
00.35	O-Ring	O-Ring
01.21.1	Guarnizione	Gasket
01.21.3	Guarnizione	Gasket
01.29	O-Ring	O-Ring
01.33	O-Ring	O-Ring
04.10	Vite	Screw
04.12	Vite	Screw
04.16	Vite	Screw
04.20	Vite	Screw
04.25	Vite	Screw
04.35	Vite	Screw
05.00	Dado	Nut
05.14Z	Vite	Screw
07.30	Chiave esagonale	Hex. bar wrench
08.20Z	Vite	Screw
08.40Z	Vite	Screw
09.02	Anello elastico	Elastic ring
14.18.1	Spina	Pin
17.32.8	Raccordo	Connection
18.12	Tubi	Tube
18.21	Manometro	Manometer
18.22	Filtro riduttore lubrificatore	Reducer group
18.22	Staffa	Staff
18.33	Pedale pneumatico	Pneumatic foot valve
20.00	Corpo	Body
22.07	Testa	Head
24.00	Silenziatore	Silencer
25.04.3	Deflettore	Exhaust deflector
26.07	Cilindro	Cylinder
28.00	Guarnizione	Gasket
30.07.3	Pistone	Piston
32.05	Ammortizzatore	Bumper
39.00	Guarnizione scarico	Exhaust gasket
40.04.2	Valvola completa	Valve ass'y
45.04	Anello valvola	Ring
50.03	Pulsante completo	Trigger valve ass'y
54.04	Pulsante	Trigger valve
52.02	Boccola	Bush
55.06.1	Raccordo	Bush
64.05	Carter	Hold down
72.03.4	Reggicaricatore	Support
73.00	Perno	Pin
75.04.1	Sicura	Safety
76.04	Perno	Pin
76.15	Perno	Pin
77.03.1	Guida sicura	Safety guide
80.09	Grilletto chiusura	Trigger
91.05	Molla	Spring
91.80	Molla	Spring
91.08	Molla	Spring
92.01X	Molla	Spring
93.07	Molla	Spring
22.00.80	Battente	Driver
52.05.80	Caricatore	Magazine
61.05.80	Carrello	Slider
71.05.80	Spingipunto	Pusher
81.00.80	Controtestina	Nose
91.05.80	Testina	Nose plate
D01	Bocchetta olio	Oiler
MR01	Kit Supporto minirest	Minirest support kit
MR02	Base	Base
MR03	Stelo	Stem
MR04	Traversa	Cross bar

Guarnizioni - O-Rings - Dichtungen - Joints - Kit O-rings - Λοοτιγυακτια - Kit O-rings - Pakninger



11460510MR_8016CLC/MINI/REST_6_161013_IV

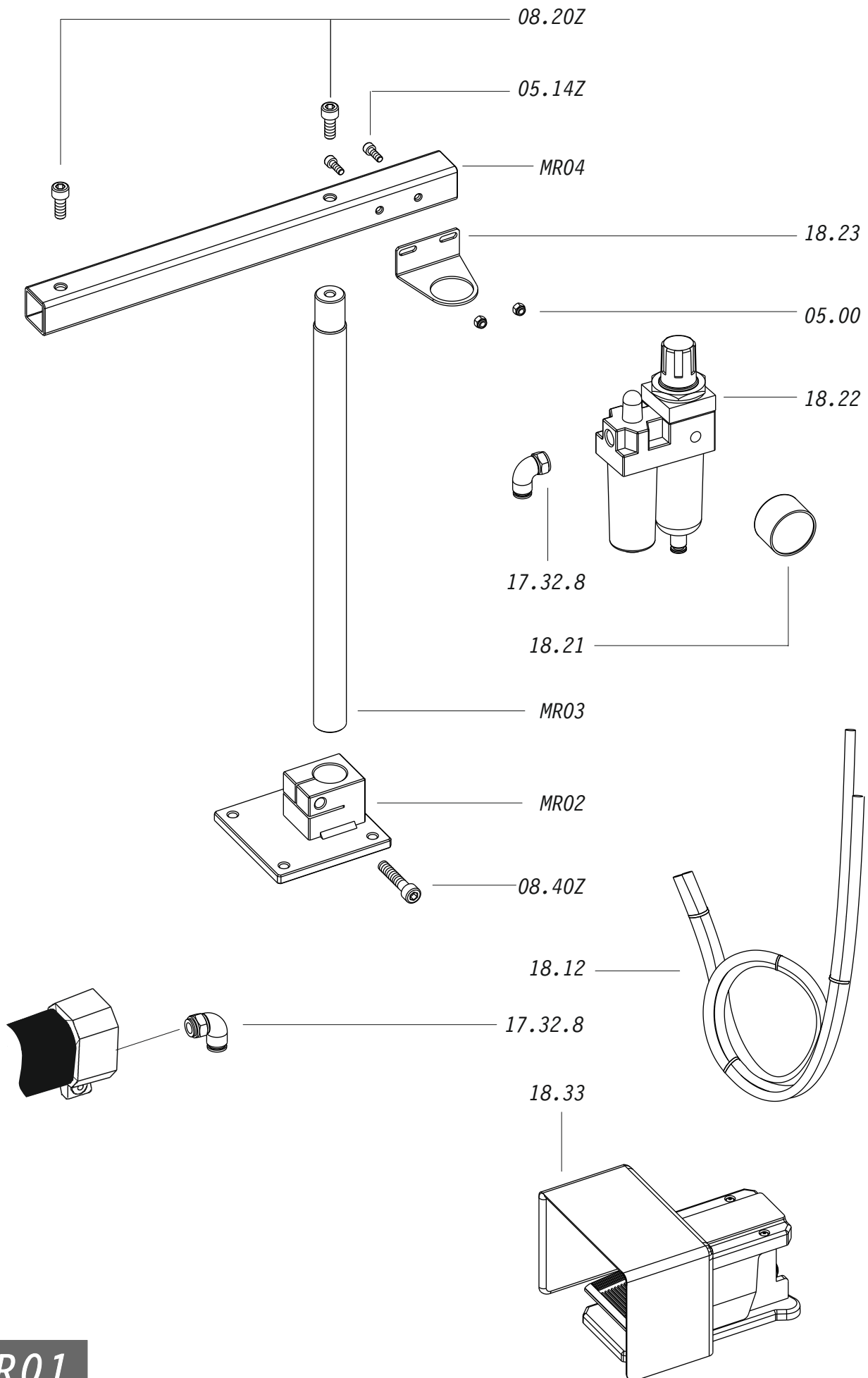
**80.16 CLC
MINI-REST**

cod. 11460510MR

Indice di modifica
Upgrade number

6

6268586



MR01