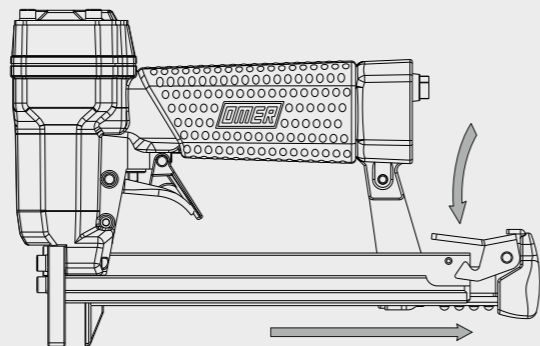


## Caricamento - Loading

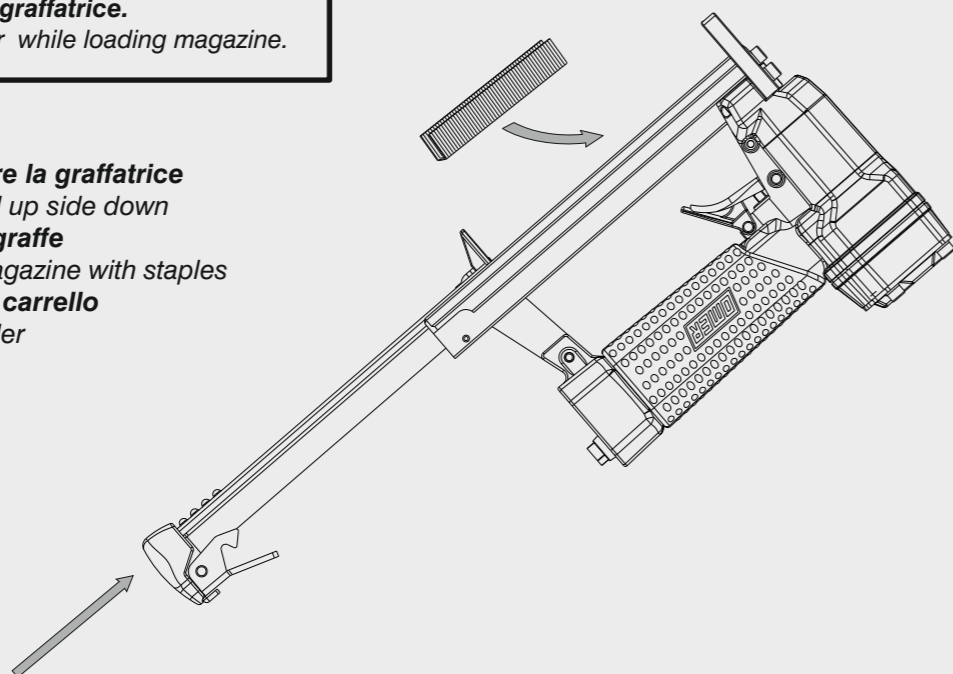
### Caricamento da sotto Bottom load magazine

- **Premere il grilletto chiusura**  
Press the magazine latch
- **Arretrare il carrello**  
Pull the slider

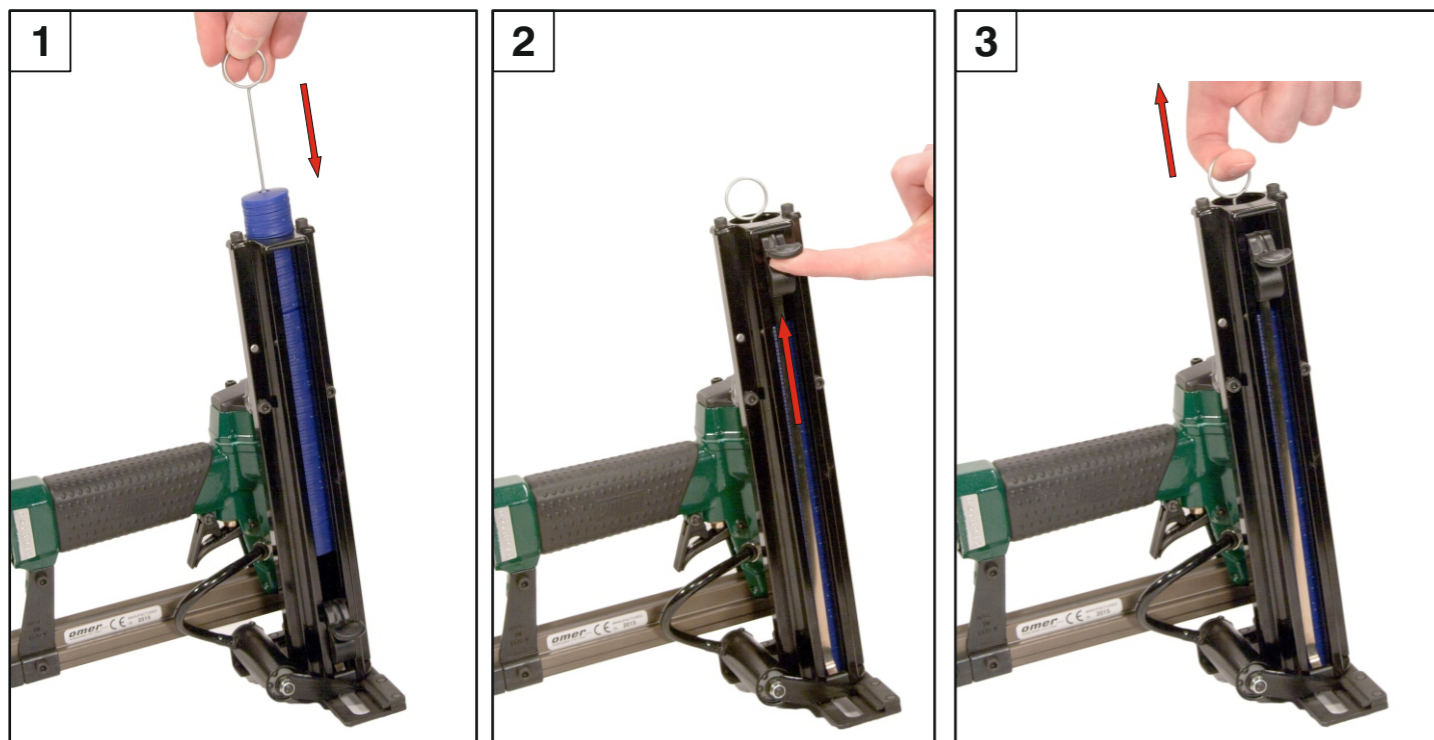


**Non azionare MAI il grilletto comando durante il caricamento della graffatrice.**  
NEVER pull the trigger while loading magazine.

- **Capovolgere la graffatrice**  
Turn the tool up side down
- **Inserire le graffe**  
Load the magazine with staples
- **Chiudere il carrello**  
Shut the slider



## Caricamento dischi - Disk loading



# OMER®

**Manuale d'uso, manutenzione e parti di ricambio**  
**Use, maintenance and spare parts manual**  
**Gebrauchsanweisung, Instandhaltungsrichtlinien und Ersatzteile**  
**Manuel d'utilisation, entretien et pièces de rechange**  
**Manual de uso, mantenimiento y repuestos**  
Εγχειρίδιο χρήσης, συντήρησης και ανταλλακτικών  
**Manual de utilização, manutenção e partes sobresselentes**  
**Handleiding voor gebruik, onderhoud en reservedelslste**  
**Brugsanvisning, vedligeholdelse og reservedelslste**

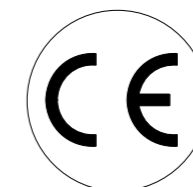
**Parte 2**  
**Part 2**  
**Teil 2**  
**Partie 2**  
**Part 2**  
2° Μερὸς  
**Parte 2**  
**Deel 2**  
**Del 2**



## 80.16 DK

cod. 1156000DK

1156000DK\_8016DK\_5 101019 IV



Dati tecnici Technical data Technische daten	Données techniques Datos tècnicos Τεχνικά χαρακτηριστικά	Dados tècnicos Technischegegevens Tecniske data
--	--	---

<b>Misure impiegabili mm</b> Usable lengths mm Gebrauchliche Längen mm	Mesures utilisable mm Medidas que se pueden emplear mm Διαστάσεις σε μμ	Medidas que se podem utilizar mm Te gebruiken engtes in mm Brugbare laengder i mm	<b>10 ÷ 16</b>
<b>Capacità caricatore n° punti</b> Magazine capacity No. of fasteners Magazinkapazität Nägel	Capacité chargeur n° de points Capacidad cargador n° puntos Δυνατότητα γεμιστέρα, σπινδότερες	Capacidade carregador n° pontos Capaciteit magazijn in aantal spijkers Kapacitet af magasin antal klemme	<b>145</b> <b>(100 disk)</b>
<b>Pressione d'esercizio</b> Working pressure Betriebsdruck	Pression de fonctionnement Presión de trabajo Πίεση λειτουργίας ατμ.	Pressao de trabalho Werkdruk Arbejds tryk bar	<b>5 ÷ 6,5 bar</b> <b>70 ÷ 95 psi</b>
<b>Consumo aria litri/colpo</b> Air consumption litres/shot Luftverbrauch Liter/Schlag	Consommation air litre/coup Consumo aire-litros/golpe Καταναόση αερα λ/ξτρωπημα	Consumo ar litro/golpe Luchtverbruik liter/schot Luftforbrug liter/skud	<b>0,18</b>
<b>Peso kg</b> Weight kg Gewicht kg	Poids kg Peso kg Βαρος κγ	Peso kg Gewicht in kg Vaegt kg	<b>1,60</b>
<b>Dimensioni (AxBxH) mm</b> Dimensions mm Größe mm	Dimension mm Dimensiones mm Δυνατότητα γεμιστέρα, σπινδότερες	Dimencoes mm Afmetingen in mm Dimensioner mm	<b>223x128x265</b>

**EN 12549 :1999 ISO 11201 :1995**

<b>Pressione sonora in pos. operatore</b> Sound pressure at the workstation Lärmintensität am Arbeitsplatz	Pression acoustique près de l'opérateur Presión sonora en posición encargado Ακουστική πίεση στη θέση χειριστού	Intensidade sonora perto do operador Geluidssterkte op de werkplek Lydstyrke på operatorposten	<b>84,3 dB(A)</b>
--	---	--	-------------------

**EN 12549 :1999 ISO 3744 :1994**

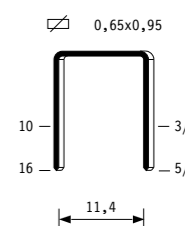
<b>Potenza sonora emessa</b> Emitted sound power Ausgestrahlte Lärmintensität	Puissance acoustique émise Potencia sonora emitida Ακουστική ισχυ	Potência sonora emitida Uitgestraalde geluidssterkte Udsendt lydstryrke	<b>93,7 dB(A)</b>
---	---	---	-------------------

**EN 28662 :1992 ISO 5349 :1986 ISO 8662 -11**

<b>Valore medio ponderato di vibrazione sull'impugnatura max.33 colpi</b> Weighted mean value of vibration on the grip max.33 shots Mitteler Vibrationswert, am Griff gemessen max.33 Schäge	Valeur moyenne pondérée de vibration mesurée sur la poignée max.33 coups Valor medio ponderado de vibracion medida en la empunadura max.33 golp Μεσος ορος μετρησης κραδασμον στη χειρολαβη μαξ.33 ξτρωπημα	Valor medio ponderado de vibracao medida no punho max.33 golpes Gewogen gemiddelde vibratiewaarde max.33 schot Middelvaerdi af vibrationer pa handtaget max.33 skud	<b>&lt;2,5 m/s<sup>2</sup></b>
--	---	---	--------------------------------

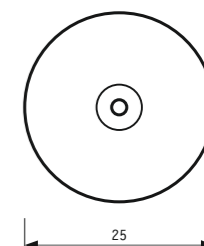
**Tipo di punto**  
Type of fastener  
Befestigungselement  
Type d'agrafe  
Tipo de punto  
Τυπος καρφιου  
Tipo de ponto  
Type nietjes  
Tilspændingstype

**80**

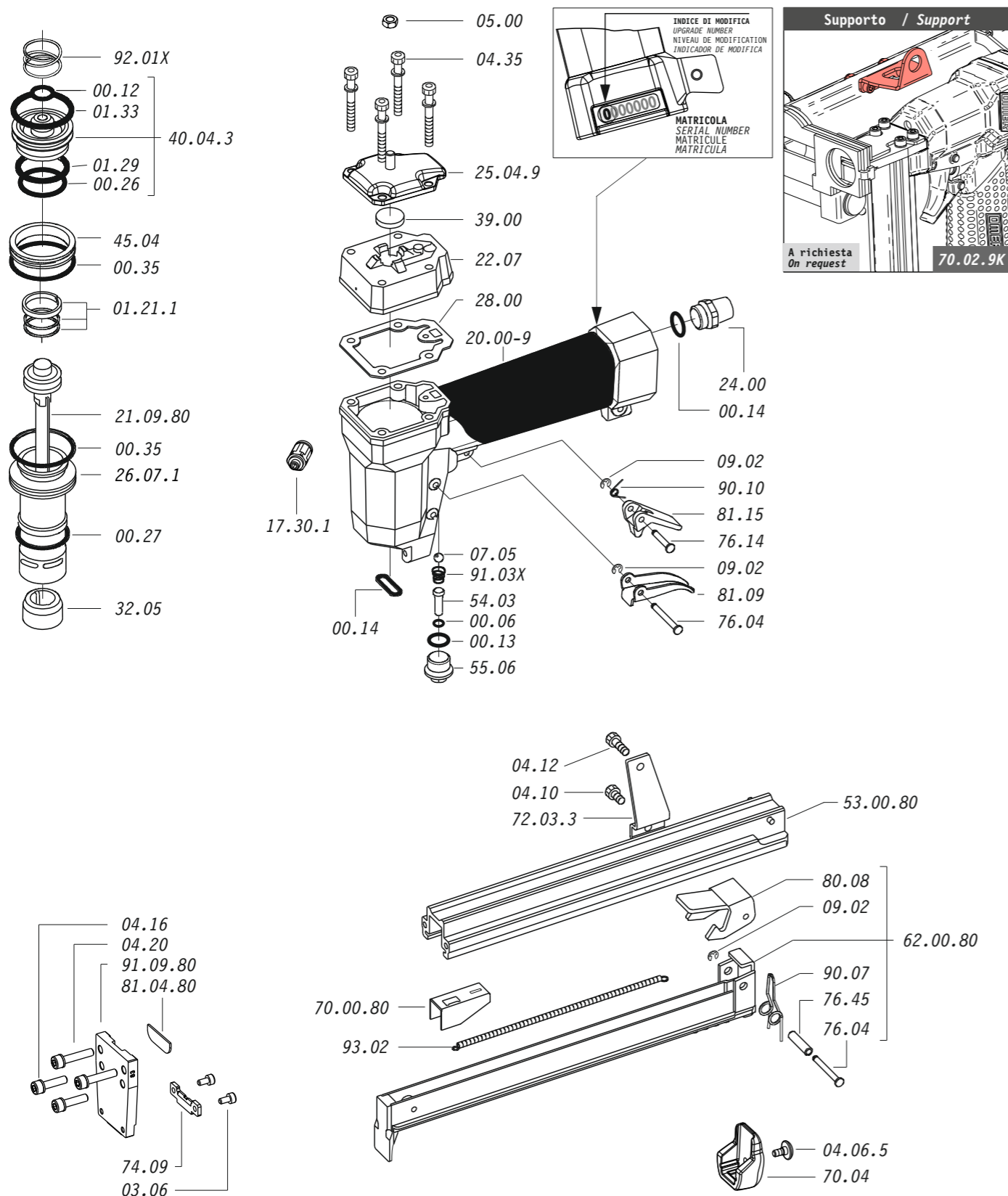


Crown: .500" (1/2")  
Gauge: 21

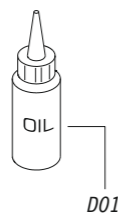
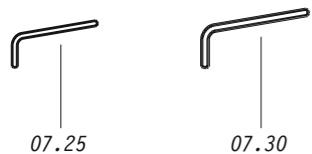
**DK25**



Parti di ricambio - Spare parts - Ersatzteile - Pièces de rechange - Piezas de repuesto  
Ανταλλακτικά - Partes sobresselentes - Tabel te raadplegen - Reservedele



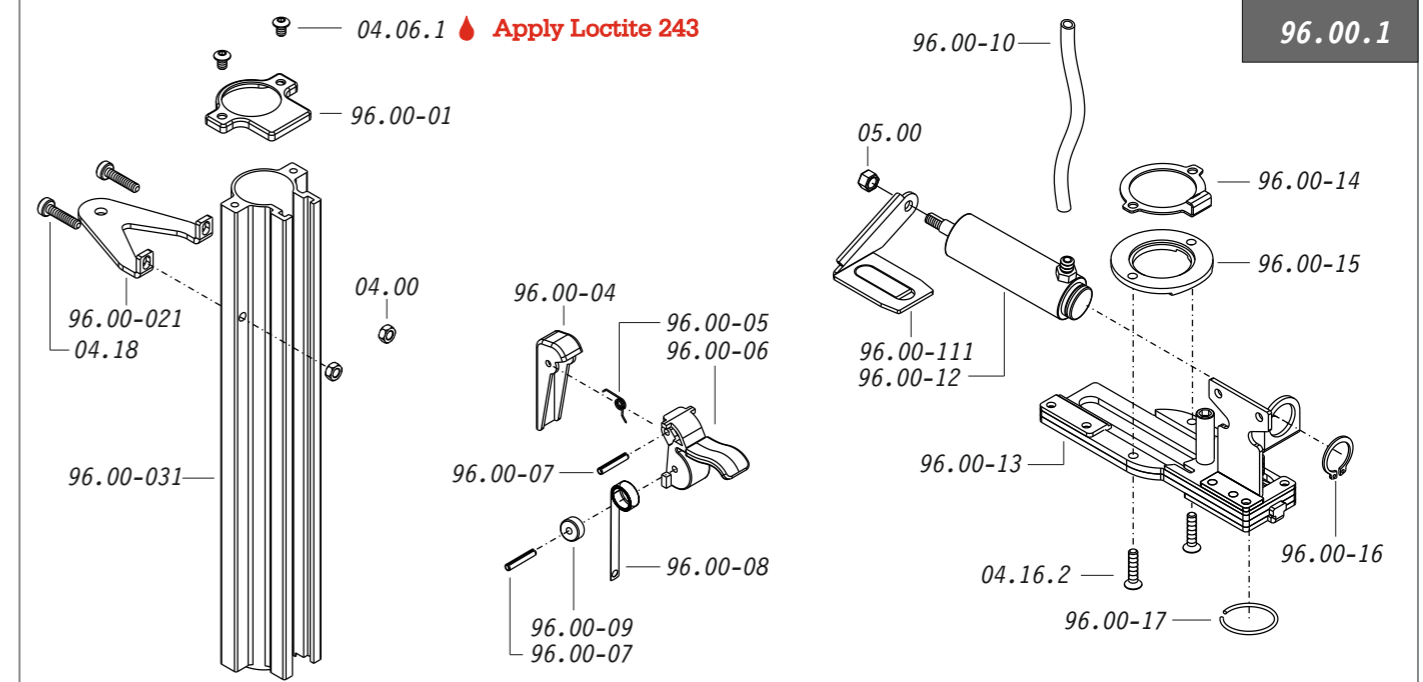
Dotazioni - Equipment - Ausrüstung - Équipements - Equipamiento - Παρεχόμενα  
Equipamento - Uitrusting - Udstyr



**80.16 DK**

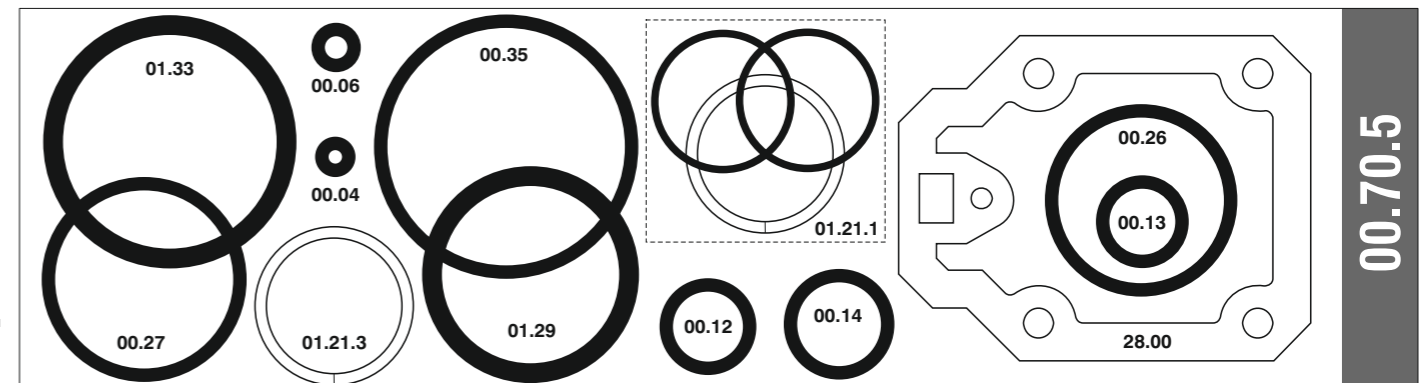
cod. 115600DK

Parti di ricambio - Spare parts - Ersatzteile - Pièces de rechange - Piezas de repuesto  
Ανταλλακτικά - Partes sobresselentes - Tabel te raadplegen - Reservedele



Cod.	Descrizione	Description	Cod.	Descrizione	Description	Cod.	Descrizione	Description
00.06	O-Ring	O-Ring	22.07	Testa	Head	96.00-031	Caricatore dischi	Disk magazine
00.12	O-Ring	O-Ring	24.00	Silenziatore	Silencer	96.00-04	Spingidisco	Pusher
00.13	O-Ring	O-Ring	25.04.9	Deflettore	Exhaust deflector	96.00-05	Molla	Spring
00.14	O-Ring	O-Ring	26.07.1	Cilindro	Cylinder	96.00-06	Leva	Latch
00.26	O-Ring	O-Ring	28.00	Guarnizione	Gasket	96.00-07	Perno	Pin
00.27	O-Ring	O-Ring	32.05	Ammortizzatore	Bumper	96.00-08	Molla	Spring
00.35	O-Ring	O-Ring	39.00	Guarnizione scarico	Exhaust gasket	96.00-09	Rullo molla	Roller
01.21.1	Guarnizione	Gasket	40.04.3	Valvola completa	Valve ass'y	96.00-10	Tubo	Tube
01.29	O-Ring	O-Ring	45.04	Anello valvola	Ring	96.00-111	Alimentatore dischi	Disk feeder
01.33	O-Ring	O-Ring	54.03	Pulsante	Trigger valve	96.00-12	Pistone	Piston
03.06	Vite	Screw	55.06	Raccordo	Bush	96.00-13	Piastra	Plate
04.00	Dado	Nut	70.02.9	Supporto bilanciare	Tool hangers supp.	96.00-14	Anello	Ring
04.06.1	Vite	Screw	70.04	Protezione	Guard	96.00-15	Anello	Ring
04.06.5	Vite	Screw	72.03.3	Reggicaricatore	Support	96.00-16	Anello elastico	Elastic ring
04.10	Vite	Screw	74.09	Piastrina	Plate	96.00-17	Anello	Ring
04.12	Vite	Screw	76.04	Perno	Pin	21.09.80	Battente	Driver
04.14	Vite	Screw	76.14	Perno	Pin	53.00.80	Caricatore	Magazine
04.16.2	Vite	Screw	76.45	Perno molla	Pin	62.00.80	Carrello	Slider
04.18	Vite	Screw	80.08	Grilletto chiusura	Trigger	70.00.80	Spingipunto	Pusher
04.20	Vite	Screw	81.09	Grilletto comando	Trigger	81.04.80	Controtestina	Nose
04.35	Vite	Screw	81.15	Controgrilletto	Safety	91.09.80	Testina	Nose plate
05.00	Dado	Nut	90.07	Molla	Spring	D01	Bocchetta olio	Oiler
07.05	Sfera	Ball	90.10	Molla	Spring			
07.25	Chiave esagonale	Hex. bar wrench	91.03X	Molla	Spring			
07.30	Chiave esagonale	Hex. bar wrench	92.01X	Molla	Spring			
09.02	Anello elastico	Elastic ring	93.02	Molla	Spring			
09.14	Rondella	Washer	96.00.1	Kit caricatore disc.	Magazine disk Kit			
17.30.1	Attacco	Connection	96.00-01	Tappo	Cap			
20.00-9	Corpo	Body	96.00-021	Supporto	Support			

Guarnizioni - O-Rings - Dichtungen - Joints - Empaquetadura de anillo - Λαστιχάκια - Kit de o-rings - O-ringen - Pakninger



115600DK\_8016DK\_5\_101019\_IV

**80.16 DK**

cod. 115600DK

Indice di modifica  
Upgrade number

**5**

5507881

**00.70.5**