



Manuale d'uso, manutenzione e parti di ricambio
Use, maintenance and spare parts manual
Gebrauchsanweisung, Instandhaltungsrichtlinien und Ersatzteile
Manuel d'utilisation, entretien et pièces de rechange
Manual de uso, mantenimiento y repuestos

Parte 2
Part 2
Teil 2
Partie 2
Part 2

Manual de utilização, manutenção e partes sobresselentes
Handleiding voor gebruik, onderhoud en reservedelslste
Brugsanvisning, vedligeholdelse og reservedelslste

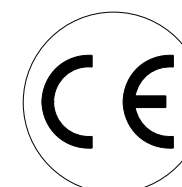
2°
Parte 2
Deel 2
Del 2



17.55P

cod. 1711790

1711790_1755P_1 031111 IV



| Dati tecnici Technical data Technische daten | Données techniques Datos tècnics | Dados tècnics Technischegegevens Tecniske data |
|--|-------------------------------------|--|
|--|-------------------------------------|--|

| | | | |
|--|---|---|----------------|
| Misure impiegabili mm Usable lengths mm Gebrauchliche Längen mm | Mesures utilisable mm Medidas que se pueden emplear mm | Medidas que se podem utilizar mm Te gebruiken engtes in mm Brugbare laengder i mm | 20 ÷ 63 |
|--|---|---|----------------|

| | | | |
|---|--|--|-----------|
| Capacità caricatore n° punti Magazine capacity No. of fasteners Magazinkapazität Nägel | Capacité chargeur n° de points Capacidad cargador n° puntos | Capacidade carregador n° pontos Capaciteit magazijn in aantal spijkers Kapacitet af magasin antal klemme | 75 |
|---|--|--|-----------|

| | | | |
|---|--|---|---|
| Pressione d'esercizio Working pressure Betriebsdruck | Pression de fonctionnement Presión de trabajo | Pressao de trabalho Werkdruk Arbejds tryk bar | 5 ÷ 7,5 bar 70 ÷ 105 psi |
|---|--|---|---|

| | | | |
|--|--|---|-------------|
| Consumo aria litri/colpo Air consumption litres/shot Luftverbrauch Liter/Schlag | Consommation air litre/coup Consumo aire-litros/golpe | Consumo ar litro/golpe Luchtverbruik liter/schot Luftforbrug liter/skud | 1,00 |
|--|--|---|-------------|

| | | | |
|---|---------------------|--------------------------------------|-------------|
| Peso kg Weight kg Gewicht kg | Poids kg Peso kg | Peso kg Gewicht in kg Vaegt kg | 1,90 |
|---|---------------------|--------------------------------------|-------------|

| | | | |
|---|--------------------------------|--|-------------------|
| Dimensioni (AxBxH) mm Dimensions mm Größe mm | Dimension mm Dimensiones mm | Dimencoes mm Afmetingen in mm Dimensioner mm | 290x77x250 |
|---|--------------------------------|--|-------------------|

| | | | |
|---|---|--|-------------------|
| EN 12549 :1999 ISO 11201 :1995 Pressione sonora in pos. operatore Sound pressure at the workstation Lärmintensität am Arbeitsplatz | Pression acoustique près de l'opérateur Presión sonora en posición encargado | Intensidade sonora perto do operador Geluidssterkte op de werkplek Lydstyrke på operatorposten | 87,8 dB(A) |
|---|---|--|-------------------|

| | | | |
|---|---|---|-------------------|
| EN 12549 :1999 ISO 3744 :1994 Potenza sonora emessa Emitted sound power Ausgestrahlte Lärmintensität | Puissance acoustique émise Potencia sonora emitida | Potência sonora emitida Uitgestraalde geluidssterkte Udsendt lydstryrke | 95,5 dB(A) |
|---|---|---|-------------------|

| | | | |
|---|---|--|--------------------------------|
| EN 28662 :1992 ISO 5349 :1986 ISO 8662 -11 Valore medio ponderato di vibrazione sull'impugnatura Weighted mean value of vibration on the grip Mittlerer Vibrationswert, am Griff Gemessen | Valeur moyenne pondérée de vibration mesurée sur la poignée Valor medio ponderado de vibracion medida en la empunadura | Valor medio ponderado de vibracao medida no punho Gewogen gemiddelde vibratiewaarde Middelvaerdi af vibrationer pa handtaget | <2,5 m/s² |
|---|---|--|--------------------------------|

Tipo di punto
Type of fastener
Befestigungselement
Type d'agrafe
Tipo de punto
Tipo de ponto
Type nietjes
Tilspændingstype

17P

1,80 x 1,80

3.1

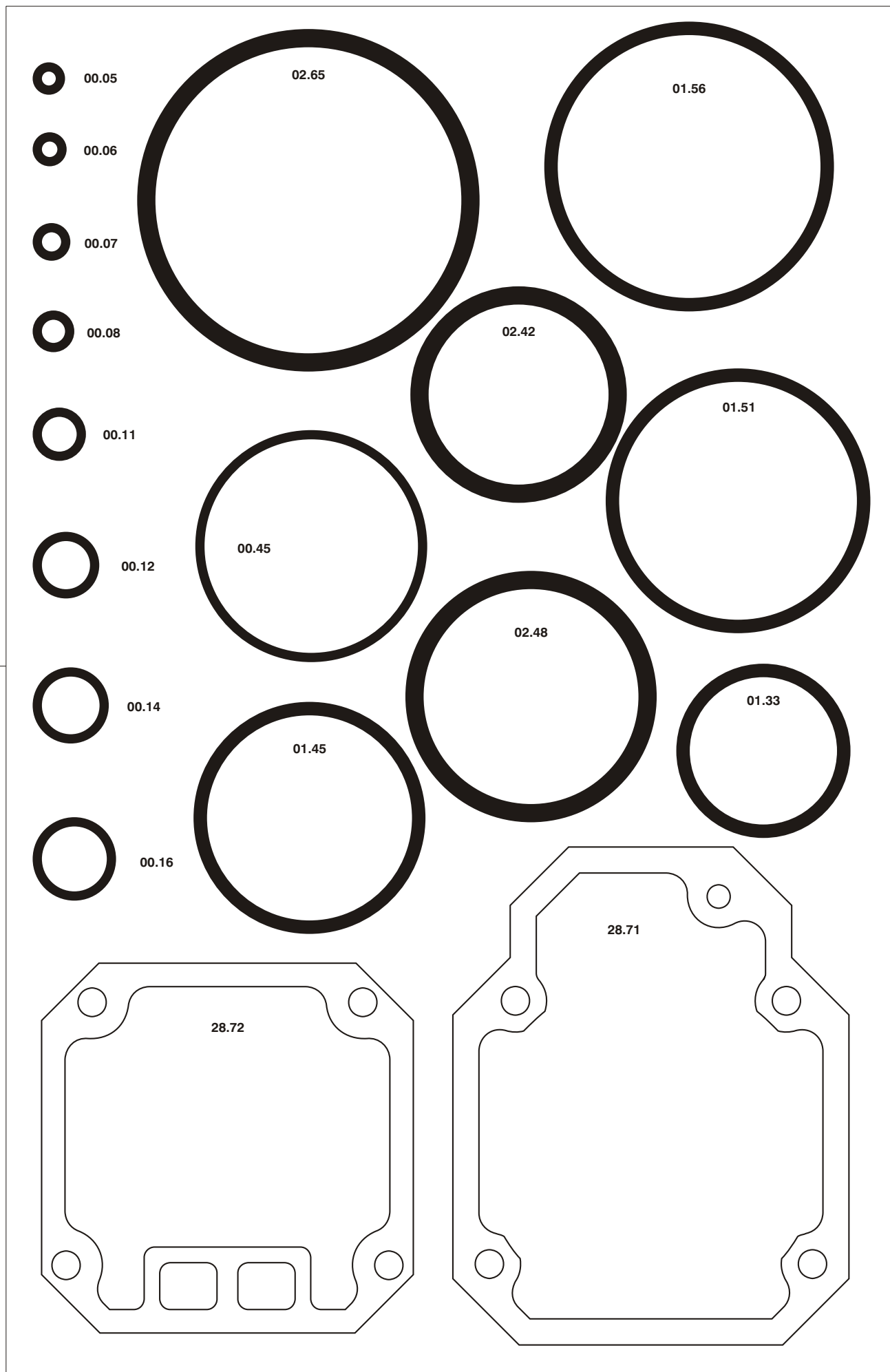
20 3/4"

63 2-1/2"

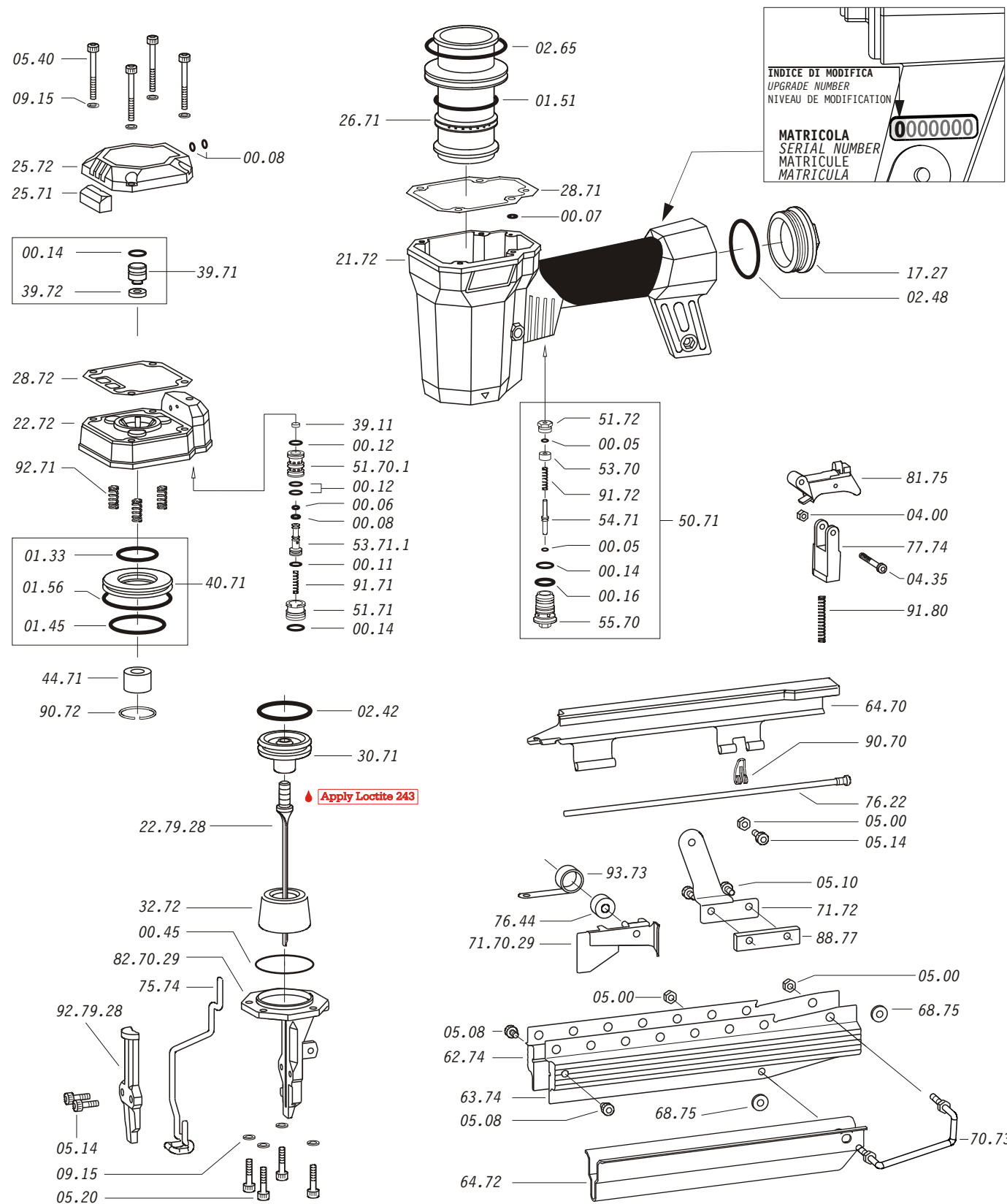
Head width: .122"

Gauge: 15

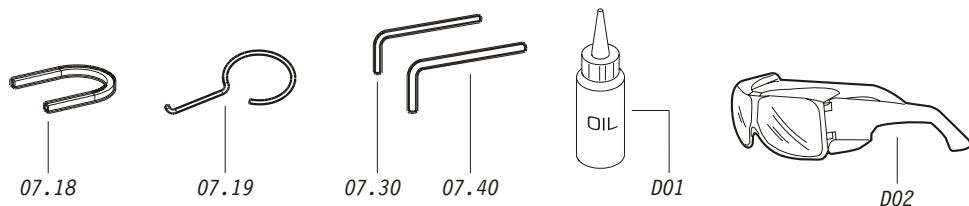
00.77.1



Parti di ricambio - Spare parts - Ersatzteile - Pièces de rechange - Piezas de repuesto
- Partes sobresselentes - Tabel te raadplegen - Reservedele



Dotazioni - Equipment - Ausrüstung - Équipements - Equipamiento - Equipamento - Uitrusting - Udstyr

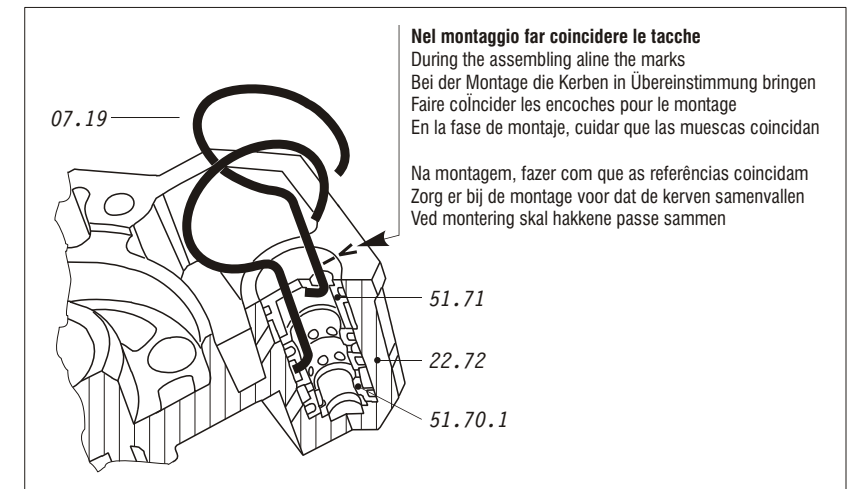


17.55P

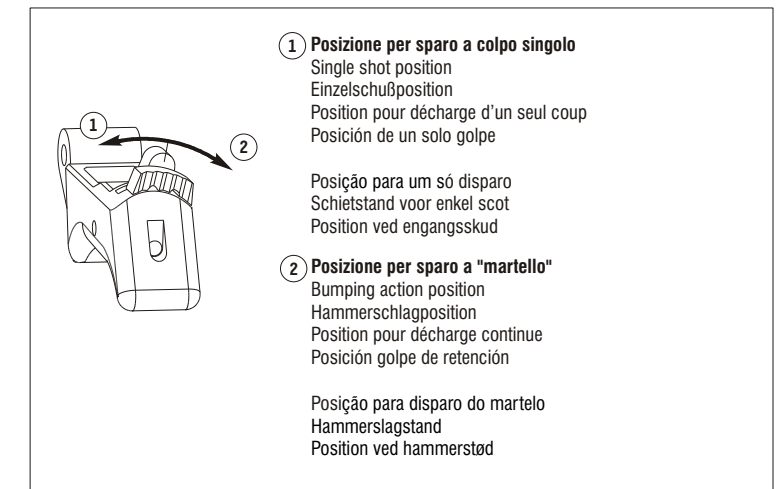
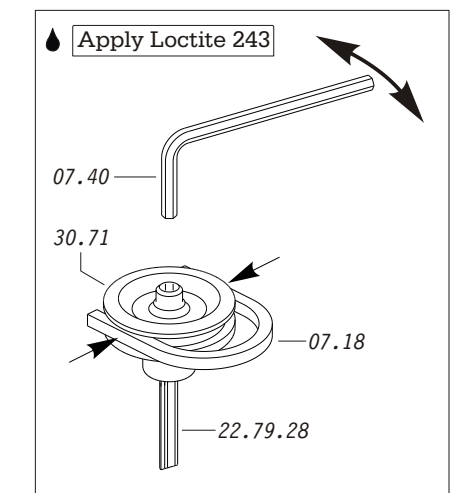
cod. 1711790

Parti di ricambio - Spare parts - Ersatzteile - Pièces de rechange - Piezas de repuesto
- Partes sobresselentes - Tabel te raadplegen - Reservedele

| Cod. | Descrizione | Description |
|----------|-----------------------------|-------------------------|
| 00.05 | O-Ring | O-Ring |
| 00.06 | O-Ring | O-Ring |
| 00.07 | O-Ring | O-Ring |
| 00.08 | O-Ring | O-Ring |
| 00.11 | O-Ring | O-Ring |
| 00.12 | O-Ring | O-Ring |
| 00.14 | O-Ring | O-Ring |
| 00.16 | O-Ring | O-Ring |
| 00.45 | O-Ring | O-Ring |
| 01.33 | O-Ring | O-Ring |
| 01.45 | O-Ring | O-Ring |
| 01.51 | O-Ring | O-Ring |
| 01.56 | O-Ring | O-Ring |
| 02.42 | O-Ring | O-Ring |
| 02.48 | O-Ring | O-Ring |
| 02.65 | O-Ring | O-Ring |
| 04.00 | Dado | Nut |
| 04.35 | Vite | Screw |
| 05.00 | Dado | Nut |
| 05.08 | Vite | Screw |
| 05.10 | Vite | Screw |
| 05.14 | Vite | Screw |
| 05.20 | Vite | Screw |
| 05.40 | Vite | Screw |
| 07.18 | Chiave pistone | Piston wrench |
| 07.19 | Estrattore | Extractor |
| 07.30 | Chiave esagonale | Hex. bar wrench |
| 07.40 | Chiave esagonale | Hex. bar wrench |
| 09.15 | Rondella | Washer |
| 17.27 | Tappo | Inlet cap |
| 21.72 | Corpo | Body |
| 22.72 | Testa | Head |
| 25.71 | Silenziatore | Silencer |
| 25.72 | Deflettore scarico | Exhaust deflector |
| 26.71 | Cilindro | Cylinder |
| 28.71 | Guarnizione testa | Head gasket |
| 28.72 | Guarnizione testa | Head gasket |
| 30.71 | Pistone | Piston |
| 32.72 | Ammortizzatore | Bumper |
| 39.11 | Guarnizione servovalvola | Servo valve gasket |
| 39.71 | Valvola scarico completa | Exhaust valve assembled |
| 39.72 | Guarnizione valvola scarico | Exhaust valve gasket |
| 40.71 | Valvola completa | Valve assembled |
| 44.71 | Ammortizzatore sup. | Upper bumper |
| 50.71 | Pulsante completo | Trigger valve assembled |
| 51.70.1 | Cilindro servovalvola | Servo valve cylinder |
| 51.71 | Boccola servovalvola | Servo valve bushing |
| 51.72 | Premistoppa | Stuffing box |
| 53.70 | Distanziale | Spacer |
| 53.71.1 | Pistone servovalvola | Servo valve piston |
| 54.71 | Pulsante | Trigger valve |
| 55.70 | Raccordo | Trigger valve bush |
| 62.74 | Banchina Sx | SX Guide |
| 63.74 | Banchina Dx | DX Guide |
| 64.70 | Carter | Hold down |
| 64.72 | Protezione | Guard |
| 68.75 | Distanziale | Spacer |
| 70.73 | Protezione | Guard |
| 71.72 | Reggicaricatore | Support |
| 75.74 | Sicura | Safety |
| 76.22 | Perno carter | Pin |
| 76.44 | Rullo molla | Roller |
| 77.74 | Guida sicura | Safety guide |
| 81.75 | Grilletto comando completo | Trigger assembled |
| 88.77 | Piastra | Plate |
| 90.70 | Molla | Spring |
| 90.72 | Molla | Spring |
| 91.71 | Molla | Spring |
| 91.72 | Molla | Spring |
| 91.80 | Molla | Spring |
| 92.71 | Molla | Spring |
| 93.73 | Molla | Spring |
| 22.79.28 | Battente | Driver |
| 71.70.29 | Spingipunto | Pusher |
| 82.70.29 | Controtestina | Nose |
| 92.79.28 | Testina | Nose plate |
| D01 | Bocchetta olio | Oiler |
| D02 | Occhiali protettivi | Protective goggles |



Nel montaggio far coincidere le tacche
During the assembling align the marks
Bei der Montage die Kerben in Übereinstimmung bringen
Faire coïncider les encoches pour le montage
En la fase de montaje, cuidar que las muescas coincidan
Na montagem, fazer com que as referências coincidam
Zorg er bij de montage voor dat de kerwen samenvallen
Ved monterig skal hakkene passe sammen



1 Posizione per sparo a colpo singolo
Single shot position
Einzelschußposition
Position pour décharge d'un seul coup
Posición de un solo golpe

Posição para um só disparo
Schietstand voor enkel scot
Position ved engangsskud

2 Posizione per sparo a "martello"
Bumping action position
Hammerschlagposition
Position pour décharge continue
Posición golpe de retención

Posição para disparo do martelo
Hammerlagstand
Position ved hammerstød

1711790_1755P_1 031111 IV

17.55P

cod. 1711790

Indice di modifica
Upgrade number

1