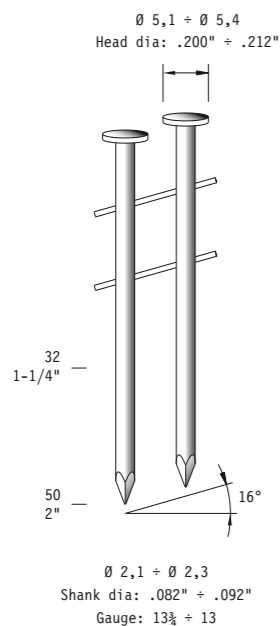


**CNW21**



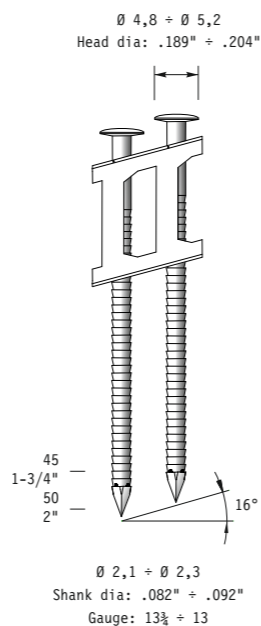
**CNW203**



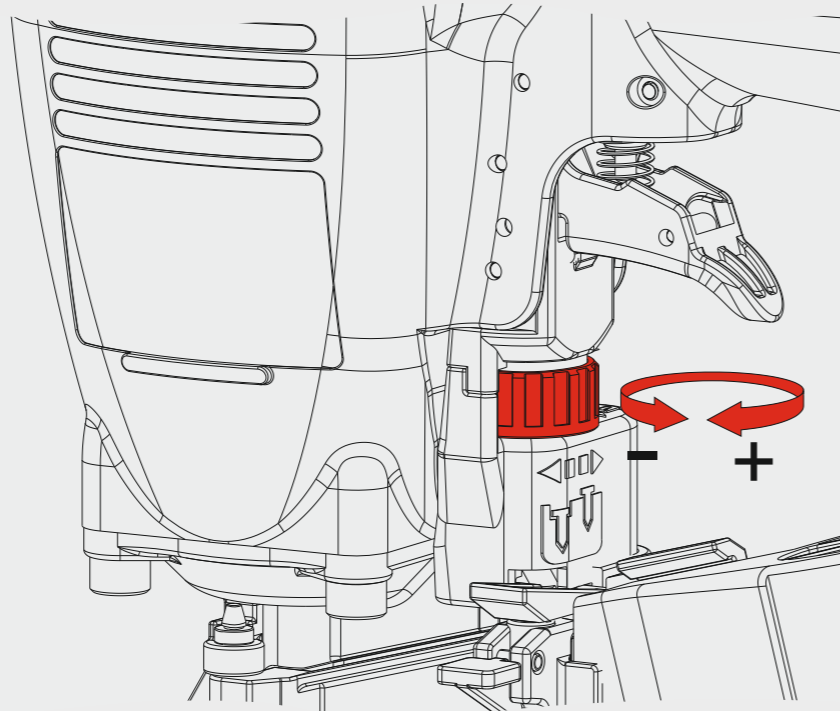
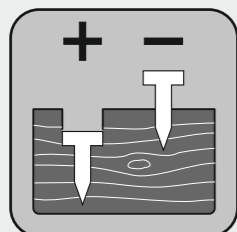
**CNP203**



**CNP23**



## Regolazione di profondità - Depth adjustment



**MORE**

**Manuale d'uso, manutenzione e parti di ricambio**  
**Use, maintenance and spare parts manual**  
**Gebrauchsanweisung, Instandhaltungsrichtlinien und Ersatzteile**  
**Manuel d'utilisation, entretien et pièces de rechange**  
**Manual de uso, mantenimiento y repuestos**  
 Εγχειρίδιο χρήσης, συντήρησης και ανταλλακτικών  
**Manual de utilização, manutenção e partes sobresselentes**  
**Handleiding voor gebruik, onderhoud en wisselstukken**  
**Brugsanvisning, vedligeholdelse og reservedelsliste**

**Parte 2**  
**Part 2**  
**Teil 2**  
**Partie 2**  
**Part 2**  
 2° Μερὸς  
**Parte 2**  
**Deel 2**  
**Del 2**



**CN25.50**

cod. 195MCN2550C1

195MCN2550C1\_CN2550\_060220 IV

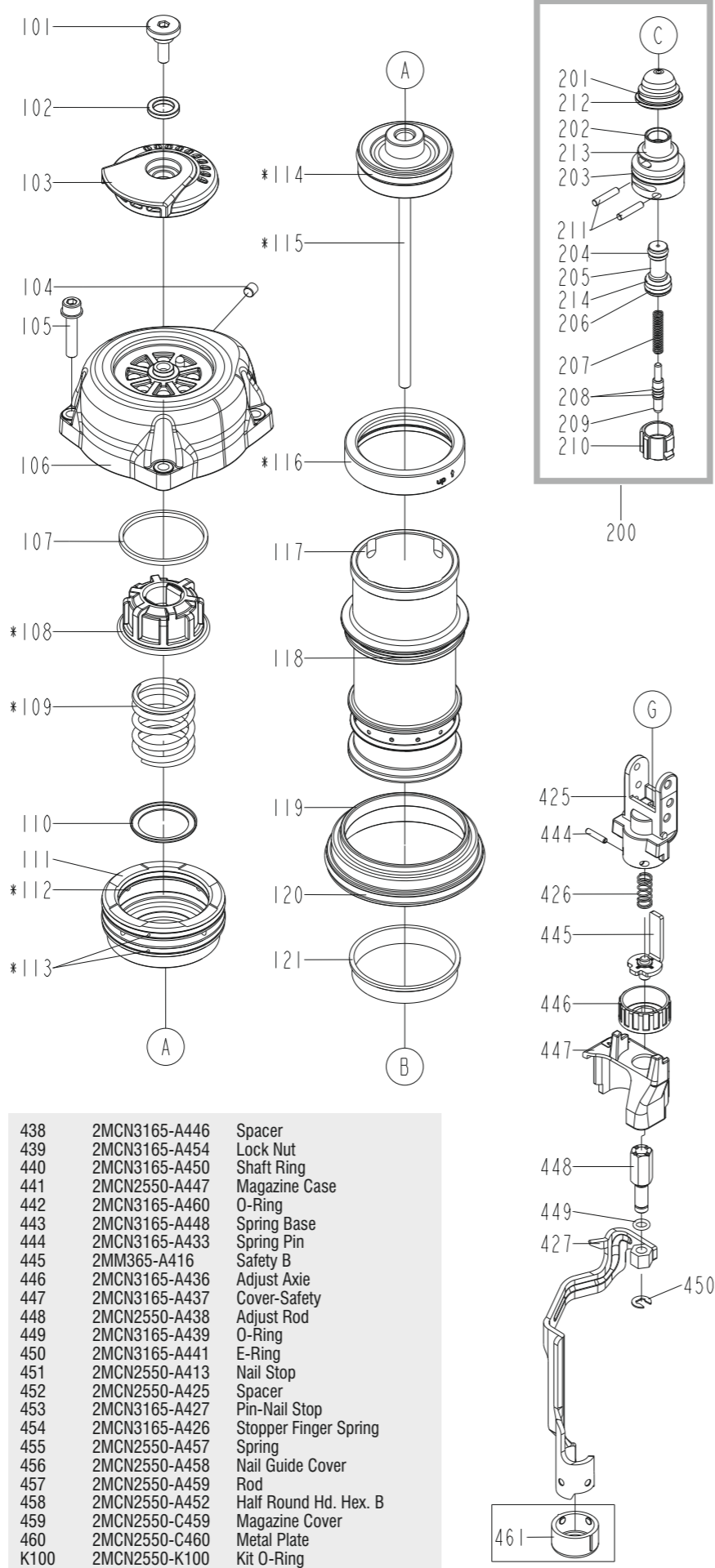


**Warning:** Please read the instructions and warnings for this tool carefully before use. Failure to do so could lead to serious injury.

Dati tecnici Technical data Technische daten	Données techniques Datos técnicos Τεχνικά χαρακτηριστικά	Dados técnicos Technische gegevens Teknische data	
<b>Misure impiegabili mm</b> Usable lengths mm Gebrauchliche Längen mm	Mesures utilisables mm Medidas que se pueden emplear mm Διαστάσεις σε μμ	Medidas que se podem utilizar mm Te gebruiken lengtes in mm Brugbare længder i mm	<b>32 ÷ 50</b>
<b>Capacità caricatore n° punti</b> Magazine capacity No. of fasteners Magazinkapazität Nägel	Capacité chargeur n° de points Capacidad cargador n° puntos Δυνατότητα γεμιστέρα, σπινδότερος	Capacidade carregador n° pontos Capaciteit magazijn in aantal spijkers Kapacitet af magasin antal klemme	<b>300 ÷ 350</b>
<b>Pressione d'esercizio</b> Working pressure Betriebsdruck	Pression de fonctionnement Presión de trabajo Πίεση λειτουργίας ατμ.	Pressao de trabalho Werkdruk Arbejds tryk bar	<b>5 ÷ 8 bar 70 ÷ 115 psi</b>
<b>Consumo aria litri/colpo</b> Air consumption litres/shot Luftverbrauch Liter/Schlag	Consommation air litre/coup Consumo aire-litros/golpe Καταναλοση αερα λ/ξτπημα	Consumo ar litro/golpe Luchtverbruik liter/schot Luftforbrug liter/skud	<b>1,65</b>
<b>Peso kg</b> Weight kg Gewicht kg	Poids kg Peso kg Βαρος κγ	Peso kg Gewicht in kg Vægt kg	<b>2,00</b>
<b>Dimensioni (AxBxH) mm</b> Dimensions mm Größe mm	Dimension mm Dimensiones mm Δυνατότητα γεμιστέρα, σπινδότερος	Dimencoes mm Afmetingen in mm Dimensioner mm	<b>305x128x285</b>
<b>EN 12549 :1999 ISO 11201 :1995</b> <b>Pressione sonora in pos. operatore</b> Sound pressure at the workstation Lärmintensität am Arbeitsplatz	Pression acoustique près de l'opérateur Presión sonora en posición encargado Ακουστική πίεση στη θέση χειριστού	Intensidade sonora perto do operador Geluidssterkte op de werkplek Lydstyrke på operatorposten	$L_{pA, 1s}$ (Rif. 20μPa) <b>87,1 dB(A)</b>
<b>EN 12549 :1999 ISO 3744 :1994</b> <b>Potenza sonora emessa</b> Emitted sound power Ausgestrahlte Lärmintensität	Puissance acoustique émise Potencia sonora emitida Ακουστική ισχυ	Potência sonora emitida Uitgestraalde geluidssterkte Udsendt lydstryrke	$L_{WA, 1s}$ (Rif. 1pW) <b>99,4 dB(A)</b>
<b>EN 28662 :1992 ISO 5349 :1986 ISO 8662 -11</b> <b>Valore medio ponderato di vibrazione sull'impugnatura max.33 colpi</b> Weighted mean value of vibration on the grip max.33 shots Mitteler Vibrationswert, am Griff gemessen max.33 Schäge	Valeur moyenne pondérée de vibration mesurée sur la poignée max.33 coups Valor medio ponderado de vibracion medida en la empunadura max.33 golp Μεσοσ ορος μετρησις κραδασιμων στη χειρολαβη μαξ.33 ξτπημα	Valor medio ponderado de vibracao medida no punho max.33 golpes Gewogen gemiddelde vibratiewaarde max.33 schot Middelvaerdi af vibrationer pa handtaget max.33 skud	<b>4,17 m/s²</b>

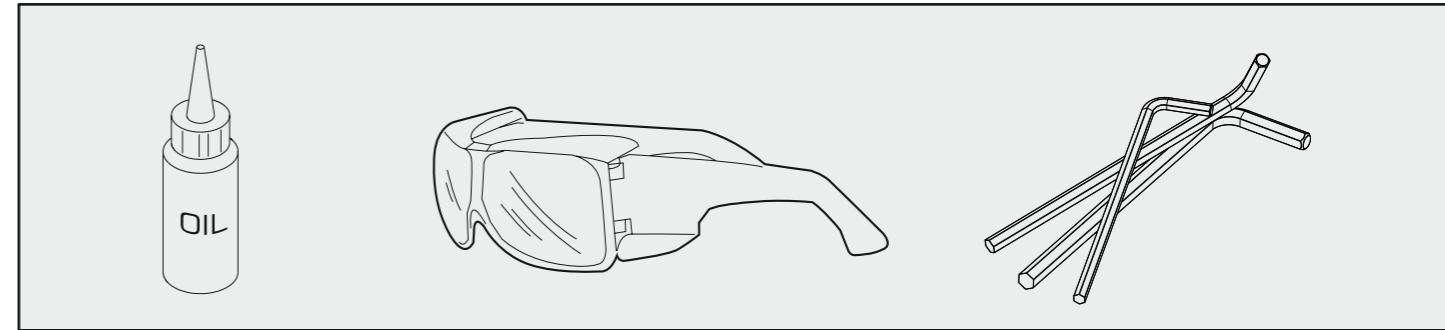
Ref. No. Part No. Description

101	2MDB1564-A101	Deflector Bolt
102	2MDB1564-A102	Rubber Pad
103	2MCN2550-C103	Deflector
104	2MCN2970-A104	Hex. Soc. Hd. Bolt
105	2MCN2550-C105	Bolt
106	2MCN2550-C106	Cap
107	2MCN2357-A111	Washer Seal
108	2MCN2357-A112	Seal
109	2MM365-A110	Compression Spring
110	2MCN2357-A116	Washer
111	2MCN2550-C111	Hd. Valve Piston
112	2MCN2357-A115	O-Ring
113	2MCN2357-A114	O-Ring
114	2MCN3165-A117	O-Ring
115	2MCN2550-C115	Driver Unit
116	2MCN2357-A121	Collar
117	2MCN2550-C117	Cylinder
118	2MCN3165-A120	O-Ring
119	2MCN2550-C119	Cylinder Spacer
120	2MCN3165-A122	O-Ring
121	2MCN3165-A123	Cylinder Ring
122	2MCN3165-A124	Bumper
123	2MCN3165-A116	Packing
200	2MCN2970-A200	Trigger Valve Unit
201	2MCN2970-A201	O-Ring
202	2MCN2970-A202	Plunger Cap
203	2MCN2970-A203	O-Ring
204	2MCN3165-A205	O-Ring
205	2MCN2970-A205	Valve Plunger
206	2MCN3165-A206	O-Ring
207	2MCN2970-A207	Spring
208	2MCN2970-A208	O-Ring
209	2MCN2357-A209	Plunger
210	2MCN2970-A210	Trigger Valve Head
211	2MCN2970-A211	Pin
212	2MCN2550-C212	Cover Plunger
213	2MCN2970-A213	O-Ring
214	2MCN2970-A214	O-Ring
215	2MCN2550-A215	Trigger Unit
216	2MM365-A412	Spiral Pins
217	2MCN2550-C217	Spiral Pins
218	2MCN2550-A214	Spring
301	2MCN2550-C301	Gun Body Unit
302	2MCN2550-A302	End Cap
303	2MCN3165-A303	O-Ring
304	2MCN3165-A304	Dusty Cover
305	2MCN3165-A305	Air Plug
401	2MCN2550-C401	Nose Piece
402	2MCN3165-A402	O-Ring
403	2MCN2550-C403	Feed Piston
404	2MCN3165-A404	O-Ring
405	2MCN3165-A405	O-Ring
406	2MCN2565-A410	Pusher Spring A
407	2MCN3165-A408	Feed Bumper
408	2MCN3165-A409	Feed Piston Cap
409	2MCN3165-A410	C-Ring
410	2MCN3165-A458	O-Ring
411	2MCN2550-A411	Feed Finger
412	2MCN3165-A412	Feed Finger Spring
413	2MCN3165-A418	Pin Feed Piston
414	2MCN3165-A414	Pu Retainer
415	2MCN3165-A415	First Stopper Finger
416	2MCN3165-A416	Urethane Retainer
417	2MCN2550-A417	Spring
418	2MCN3165-A428	Hex. Soc. Hd. Bolt
419	2MCN2550-A419	Pin-Nail Stop
420	2MCN3165-A449	Door Shaft Pin
421	2MCN2550-C421	Door
422	2MCN3165-A422	Latch Spring
423	2MCN3165-A423	Door Latch
424	2MCN3165-A424	Spring Pin
425	2MCN3165-A432	Safety Guide
426	2MCN3165-A434	Safety Spring
427	2MCN2550-C427	Safety A Unit
428	2MCN3165-A431	Bolt Cap
429	2MCN2565-A404	Hex. Soc. Hd. Bolt
430	2MCN2550-A430	Safety Cover
431	2MCN2550-A454	Muzzle Protector
432	2MCN3165-A456	Fixed Pin
433	2MCN2550-A456	Fixed Ring
434	2MCN3165-A452	Flat Washer
435	2MCN3165-A451	Hex. Soc. Hd. Bolt
436	2MCN3165-A444	Spring Base A
437	2MCN2550-C437	Pull Spring



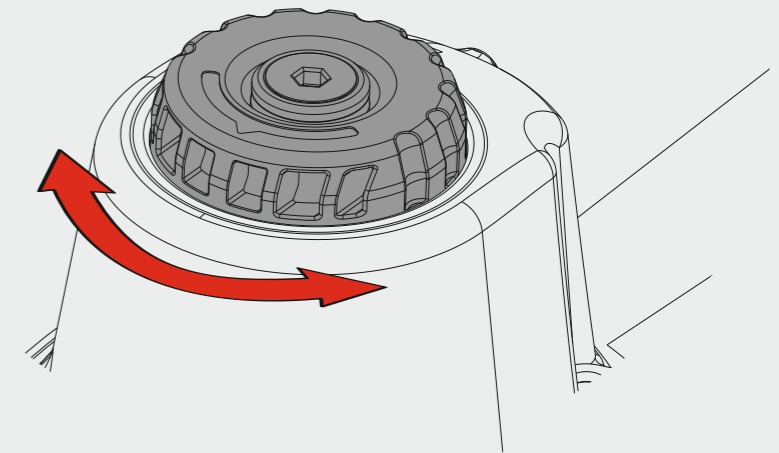
438	2MCN3165-A446	Spacer
439	2MCN3165-A454	Lock Nut
440	2MCN3165-A450	Shaft Ring
441	2MCN2550-A447	Magazine Case
442	2MCN3165-A460	O-Ring
443	2MCN3165-A448	Spring Base
444	2MCN3165-A433	Spring Pin
445	2MM365-A416	Safety B
446	2MCN3165-A436	Adjust Axie
447	2MCN3165-A437	Cover-Safety
448	2MCN2550-A438	Adjust Rod
449	2MCN3165-A439	O-Ring
450	2MCN3165-A441	E-Ring
451	2MCN2550-A413	Nail Stop
452	2MCN2550-A425	Spacer
453	2MCN3165-A427	Pin-Nail Stop
454	2MCN3165-A426	Stopper Finger Spring
455	2MCN2550-A457	Spring
456	2MCN2550-A458	Nail Guide Cover
457	2MCN2550-A459	Rod
458	2MCN2550-A452	Half Round Hd. Hex. B
459	2MCN2550-C459	Magazine Cover
460	2MCN2550-C460	Metal Plate
K100	2MCN2550-K100	Kit O-Ring

## Dotazioni - Equipment



## Caratteristiche - Feature

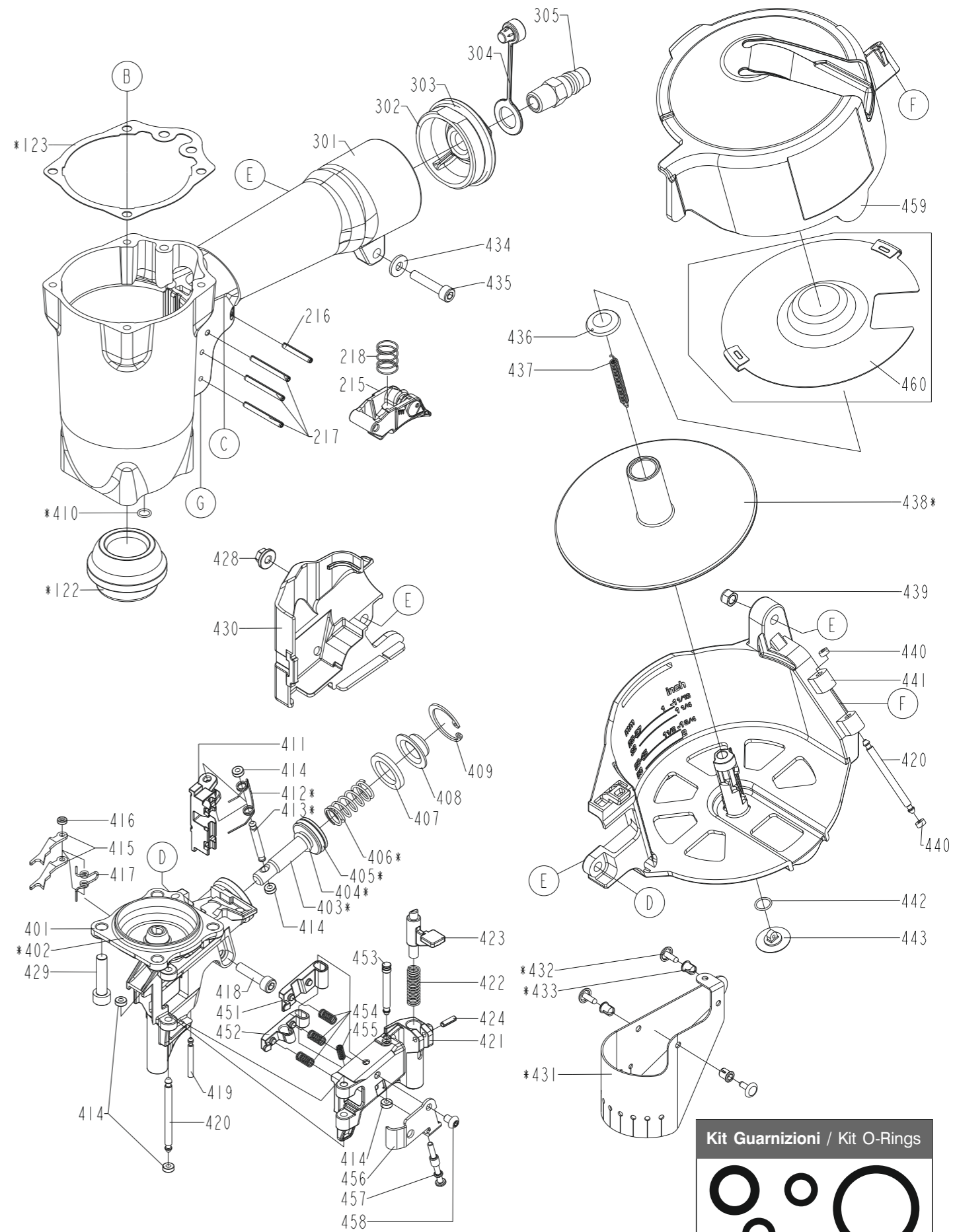
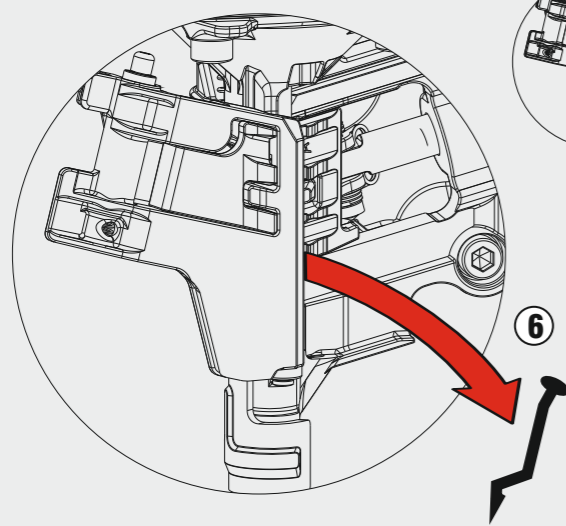
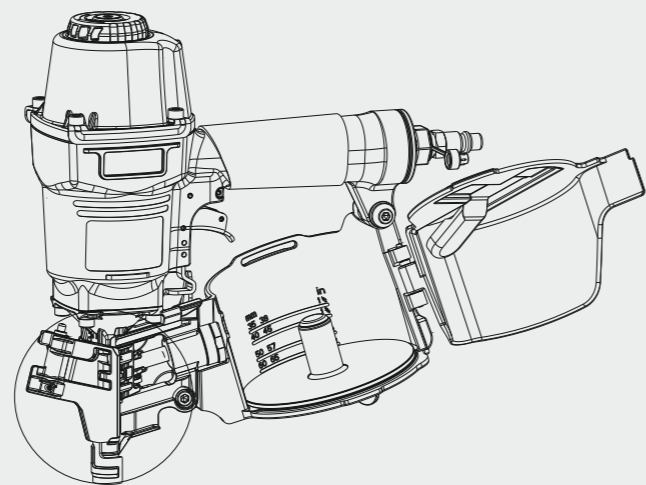
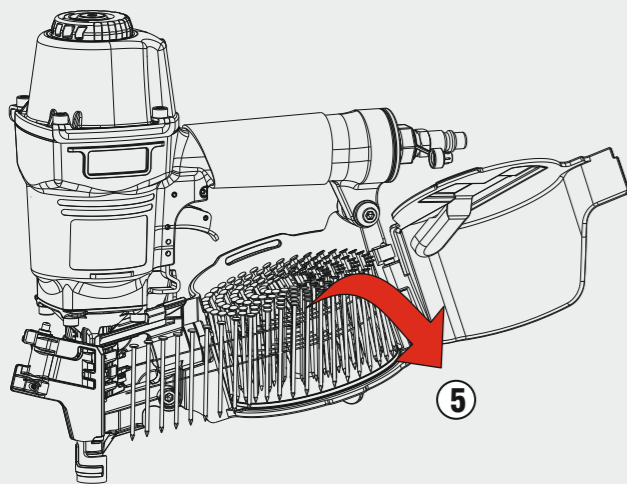
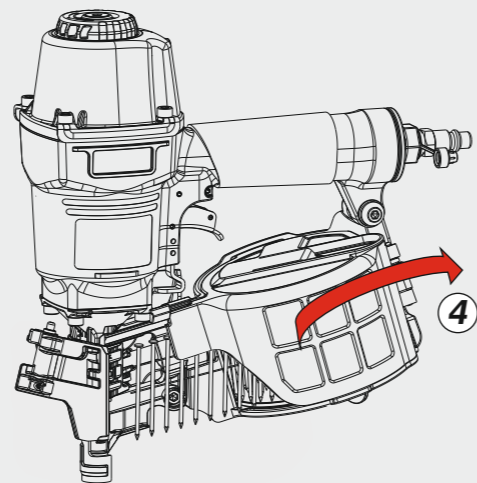
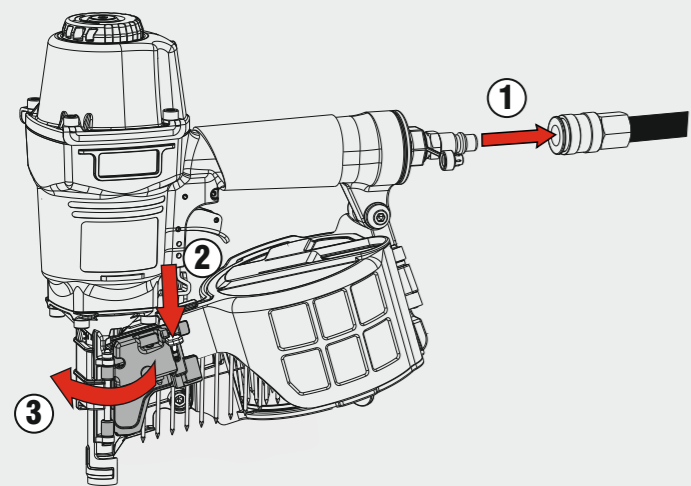
**Scarico orientabile a 360°**  
360° adjustable exhaust



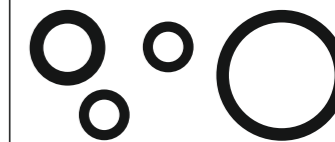
## Note - Notes

Parti di ricambio - Spare parts - Ersatzteile - Pièces de rechange - Piezas de repuesto  
Ανταλλακτικά - Partes sobresselentes - Wisselstukken - Reservedele

# Disinceppamento - Jam clearing



Kit Guarnizioni / Kit O-Rings



2MCN2550-K100

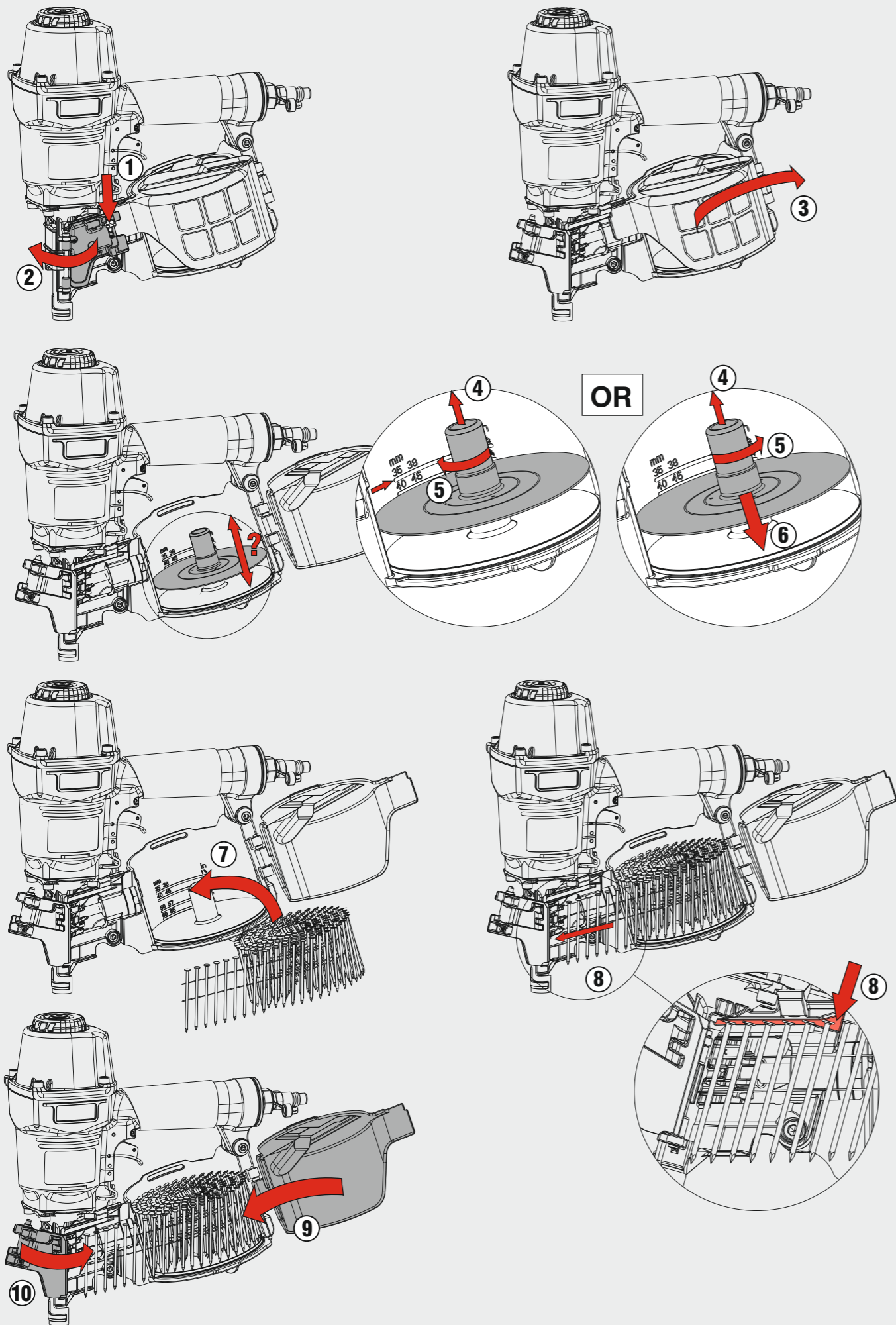
CN25.50

cod. 195MCN2550C1

Indice di modifica  
Upgrade number

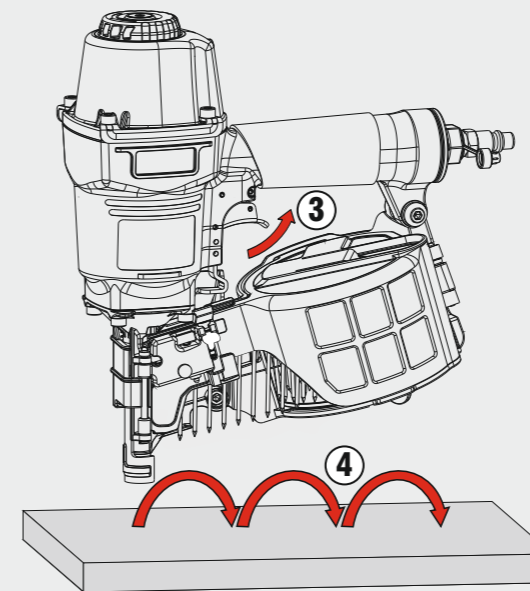
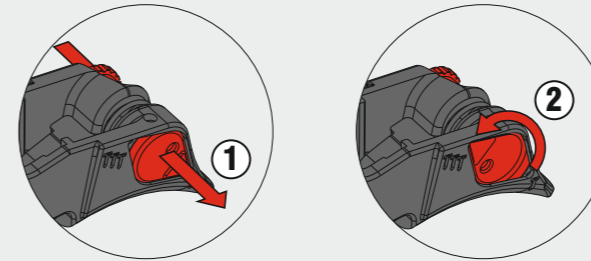
C1

## Caricamento - Loading

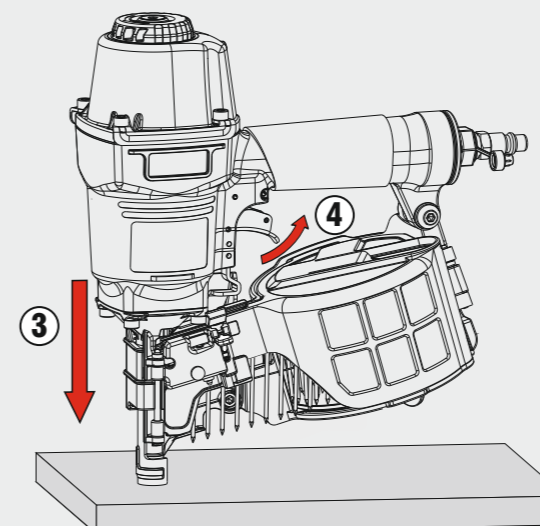


## Azionamento - Actuation

**Azionamento a contatto**  
Contact actuation



**Oppure - Or**



**Azionamento sequenziale singolo**  
Single sequential actuation

