

Dati tecnici

Lubrificazione consigliata:

Olio per utensili pneumatici

Applicazioni:

Rivestimento tetti

Sistema di funzionamento:

Grilletto-Duo
(sparo sequenziale singolo / azionamento a contatto)

Caricamento

1. Sbloccare la chiusura per aprire porta e caricatore.
2. Regolare il livello del caricatore in modo che i chiodi siano allineati con la linea guida.
3. Caricare i chiodi dall'alto del caricatore dentro il sistema di alimentazione.
4. Chiudere il caricatore e assicurarsi che il chiavistello sia chiuso correttamente.

Technical data

Recommended lubrications:

Pneumatic tool oil

Applications & suitability:

Roofing applications

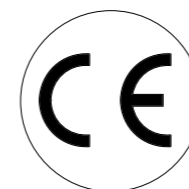
Actuating system:

Combi-Trigger
(single sequential actuation / contact actuation)

Filling the magazine

1. Release latch to open the door and magazine.
2. Adjust the level of the magazine base so that the nails will feed in line with guides.
3. Load nails onto pivot in the magazine and pull forward so that the nails are inserted into the feeder mechanism.
4. On closing the magazine ensure the latch is closed properly.

195MCN3145A2_CN3145_181119_IV



Manuale d'uso, manutenzione e parti di ricambio Parte 2

Use, maintenance and spare parts manual Part.2

CN31.45

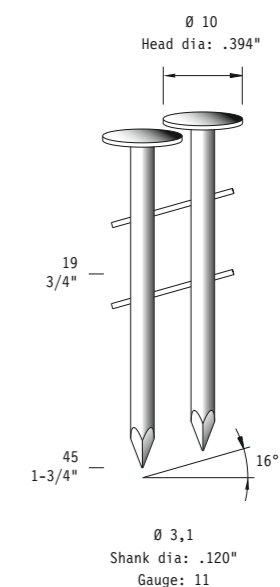
cod. 195MCN3145A2

Indice di modifica
Upgrade number

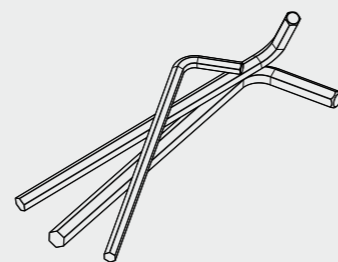
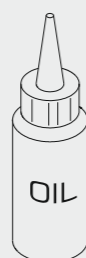
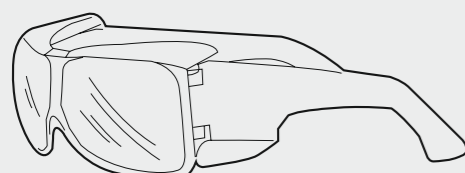
A2

Misure impiegabili mm (inch) Usable lengths mm (inch)	19 ÷ 45 (3/4" ÷ 1-3/4")
Capacità caricatore n° punti Magazine capacity No. of fasteners	120
Pressione d'esercizio bar (psi) Working pressure bar (psi)	5 ÷ 8 (70 ÷ 115)
Consumo aria litri/colpo a 7 bar Air consumption litres/shot at 7 bar	1,21
Peso kg Weight kg	2,25
Dimensioni (AxBxH) mm Dimensions mm	287x116x273
Pressione sonora Max A-Weighted surface impulse sound pressure level	99,9 dBA
Potenza sonora emessa Max A-Weighted impulse sound power level	102,9 dBA
Vibrazione Vibration	2,53 m/s²

Tipo di punto Type of fastener



Dotazioni - Equipment

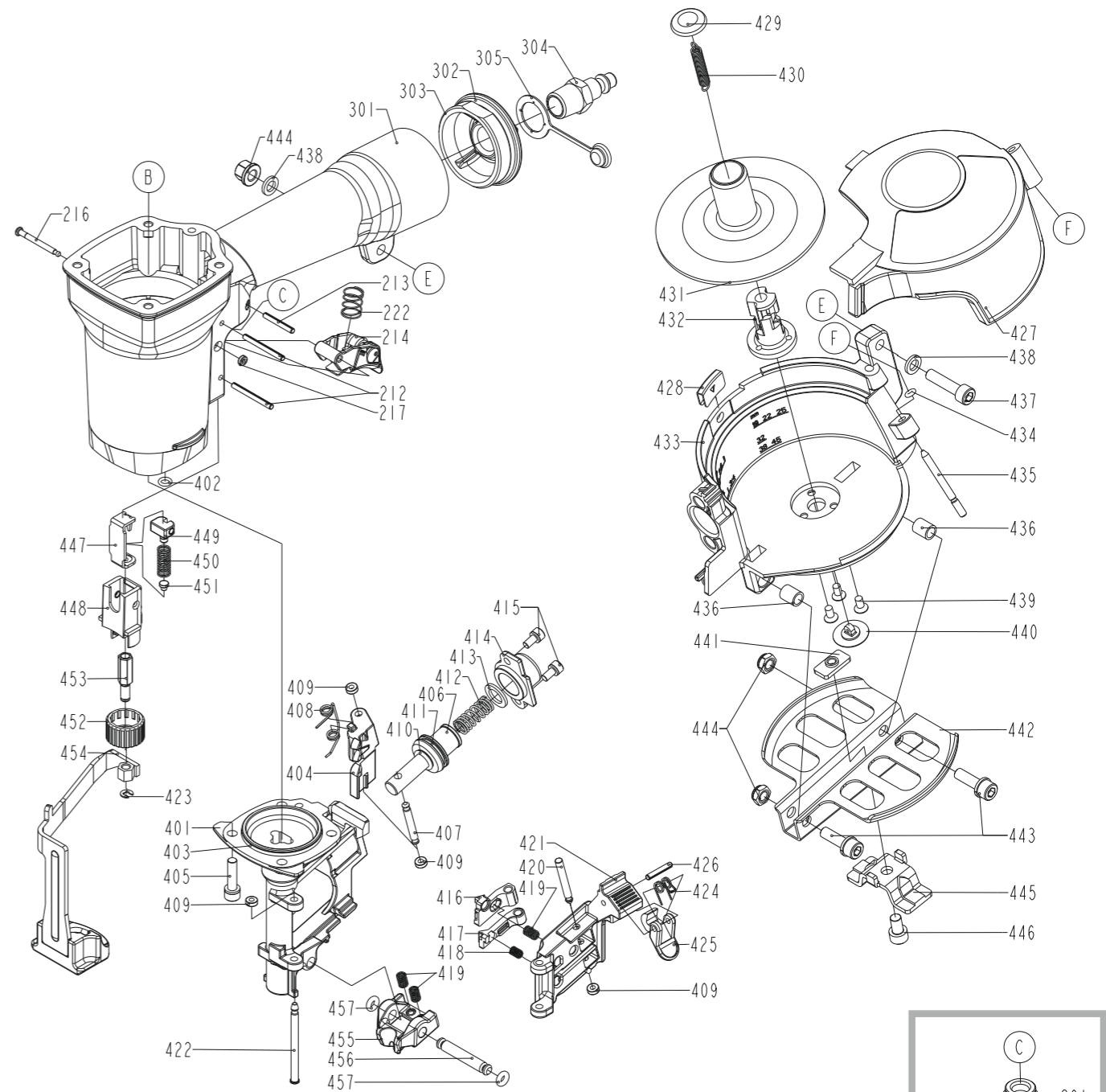
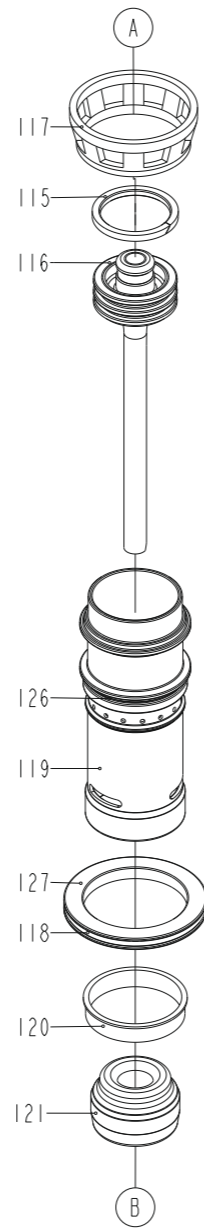
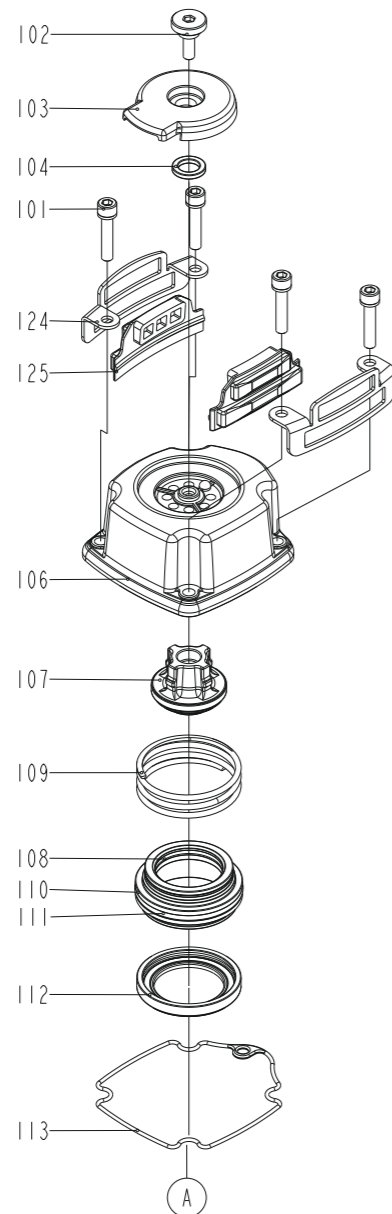


omer s.p.a.

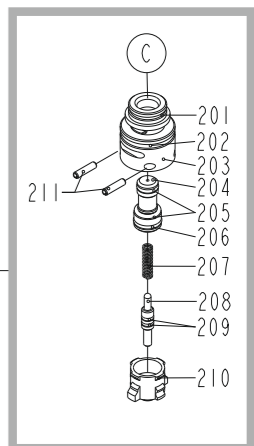
Via Foresto, 42 - 31058 SUSEGANA (TV) ITALY
Tel. 0438 455 318 Fax 0438 455 530
e-mail: omer@omer.it www.omer.it

Ref. No. Part No. Description

101	2MDB1564-A105	Bolt Assy
102	2MDB1564-A101	Deflector Bolt
103	2MA2890-A115	Collar
104	2MDB1564-A102	Rubber Pad
106	2MCN3145-A106	Cap
107	2MCN3145-A107	Seal
108	2MCN3145-A108	O-Ring
109	2MCN3145-A109	Compression Spring
110	2MCN3145-A110	Hd. Valve Piston
111	2MCN3145-A111	O-Ring
112	2MCN3145-A112	Collar
113	2MCN3145-A113	Packing
115	2MCN3145-A115	Piston Ring
116	2MCN3145-A116	Driver Unit
117	2MCN3145-A117	Cylinder Press Ring
118	2MCN3145-A118	O-Ring
119	2MCN3145-A119	Cylinder
120	2MCN3145-A120	Cylinder Ring
121	2MCN3145-A121	Bumper
124	2MCN3145-A124	Guide Cover
125	2MCN3145-A125	Protective Cushion
126	2MCN3145-A126	O-Ring
127	2MCN3145-A127	Cylinder Spacer
200	2MCN3165-A200	Trigger Valve Unit
201	2MCN3165-A201	O-Ring
202	2MCN3165-A202	O-Ring
203	2MCN3165-A203	Plunger Cap
204	2MCN3165-A204	Valve Plunger
205	2MCN3165-A205	O-Ring
206	2MCN3165-A206	O-Ring
207	2MCN3165-A207	Spring
208	2MCN2550-A208	Plunger
209	2MCN3165-A209	O-Ring
210	2MCN3165-A210	Trigger Valve Head
211	2MCN3165-A211	Spring Pin
212	2MCN3165-A212	Spring Pin
213	2MCN3165-A213	Spring Pin
214	2MCN3145-A214	Trigger Unit
216	2MCN3390-A216	Trigger Pivot Pin
217	2MCN3165-A416	Urethane Retainer
222	2MCN2550-A214	Spring
301	2MCN3145-A301	Gun Body Unit
302	2MCN3165-A303	O-Ring
303	2MCN2550-C302	End Cap
401	2MCN3145-A401	Nose Piece
402	2MCN3165-A439	O-Ring
403	2MCN3145-A403	O-Ring
404	2MCN3145-A404	Feed Finger
405	2MA2890-A305	Bolt Assy
406	2MCN3145-A406	Feed Piston
407	2MCN3165-A418	Pin Feed Piston
408	2MCN3145-A408	Feed Finger Spring
409	2MCN3165-A414	Pu Retainer
410	2MCN3165-A404	O-Ring
411	2MCN3145-A411	O-Ring
412	2MCN2132-A407	Feed Piston Spring
413	2MCN3145-A413	Feed Bumper
414	2MCN3145-A414	Feed Piston Cap
415	2MDB1564-A429	Bolt Assy
416	2MCN3145-A416	First Stopper Finger
417	2MCN3145-A417	Second Stopper Finger
418	2MCN3145-A418	Spring
419	2MCN3165-A426	Stopper Finger Spring
420	2MCN3145-A420	Pin-nail Stop
421	2MCN3145-A421	Door
422	2MCN3145-A422	Door Shaft Spring
423	2MS29130-A435	E-Ring
424	2MCN3145-A424	Latch Spring
425	2MCN3145-A425	Lock Lever
426	2MDA64-A428	Spring Pin
427	2MCN3145-A427	Magazine Cover
428	2MCN3145-A428	Protection
429	2MCN3145-A429	Spring Base A
430	2MCN3145-A430	Pull Spring
431	2MCN3145-A431	Spacer
432	2MCN3145-A432	Adjust Post
433	2MCN3145-A433	Magazine Case
434	2MCN2132-A430	O-Ring
435	2MCN2132-A420	Pin
436	2MCN3390-A439	Latch Spring Bushing
437	2MCN3145-A437	Hex. Soc. Hd. Bolt
438	2MCN2970-A440	Flat Washer
439	2MCN3145-A439	Tap Bolt
440	2MCN3165-A448	Spring Base
441	2MCN3145-A441	Adjusting Unit



442	2MCN3145-A442	Magazine Guard
443	2MCN3145-A443	Bolt Assy
444	2MSN2210-A439	Lock Nut
445	2MCN3145-A445	Adjusting Plate
446	2MCN3145-A446	Hex. Soc. Hd. Bolt
447	2MCN3145-A447	Safety B
448	2MCN3145-A448	Safety Guide
449	2MCN3145-A449	Safety Stopper
450	2MCN3145-A450	Safety Spring
451	2MCN3145-A451	Feed Bumper
452	2MCN3145-A452	Adjust Axie
453	2MCN3145-A453	Adjust Rod
454	2MCN3145-A454	Safety Unit
455	2MCN3145-A455	Guide Block
456	2MCN3145-A456	Fixed Pin
457	2MCN3145-A457	O-Ring



Parti di ricambio - Spare parts

CN31.45

cod. 195MCN3145A2

Indice di modifica Upgrade number

A2

15040051