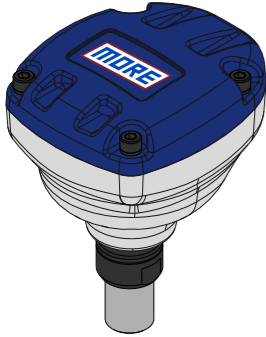
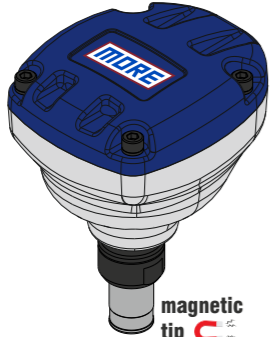
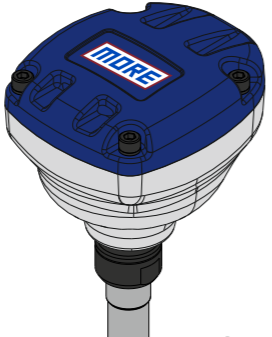
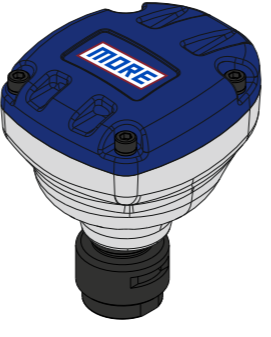


Configurazioni disponibili - Available configurations

a1	a2	a3	b
			
LARGE NAILS	MEDIUM NAILS	FINISH NAILS	FLAT HAMMER
Parts used:	Parts used:	Parts used:	Parts used:
<div style="border: 1px dashed black; padding: 2px; display: inline-block;">119</div> <div style="border: 1px dashed black; padding: 2px; display: inline-block;">120</div> <div style="border: 1px dashed black; padding: 2px; display: inline-block;">121</div> <div style="border: 1px dashed black; padding: 2px; display: inline-block;">130</div> <div style="border: 1px dashed black; padding: 2px; display: inline-block;">128</div>	<div style="border: 1px dashed black; padding: 2px; display: inline-block;">119</div> <div style="border: 1px dashed black; padding: 2px; display: inline-block;">120</div> <div style="border: 1px dashed black; padding: 2px; display: inline-block;">121</div> <div style="border: 1px dashed black; padding: 2px; display: inline-block;">143</div> <div style="border: 1px dashed black; padding: 2px; display: inline-block;">129</div>	<div style="border: 1px dashed black; padding: 2px; display: inline-block;">119</div> <div style="border: 1px dashed black; padding: 2px; display: inline-block;">120</div> <div style="border: 1px dashed black; padding: 2px; display: inline-block;">121</div> <div style="border: 1px dashed black; padding: 2px; display: inline-block;">144</div> <div style="border: 1px dashed black; padding: 2px; display: inline-block;">129</div>	<div style="border: 1px dashed black; padding: 2px; display: inline-block;">125</div> <div style="border: 1px dashed black; padding: 2px; display: inline-block;">126</div> <div style="border: 1px dashed black; padding: 2px; display: inline-block;">124</div> <div style="border: 1px dashed black; padding: 2px; display: inline-block;">122</div> <div style="border: 1px dashed black; padding: 2px; display: inline-block;">127</div> <div style="border: 1px dashed black; padding: 2px; display: inline-block;">123</div>

Dati tecnici

Lubrificazione consigliata:
Olio per utensili pneumatici

Sistema di funzionamento:
Sparo con sicura senza grilletto

Technical data

Recommended lubrications:
Pneumatic tool oil

Actuating system:
Contact safety without trigger

Dichiarazione CE di conformità

(Conforme all' allegato II parte 1 sez. A direttiva 2006/42/CE.)

OMER spa con sede in Via Foresto, 42 - 31058 SUSEGANA (TV) ITALY dichiara sotto la propria responsabilità che l'utensile a cui si riferisce il presente libretto con modello, matricola e anno di costruzione indicati in copertina, è conforme ai requisiti essenziali di sicurezza indicati dalla Direttiva 2006/42/CE.

Susegana 28-07-2020

Il Legale Rappresentante



CE Declaration of conformity

(Conforms to appendix II part 1 section A Directive 2006/42/CE.)

OMER spa, registered office in Via Foresto, 42 - 31058 SUSEGANA (TV) ITALY, declares under its own responsibility that the tool described in this manual, the cover of which shows the model, serial number and year of construction, complies with the essential safety requirements included in Directive 2006/42/CE.

Susegana 28-07-2020

Legal Representative




Manuale d'uso, manutenzione e parti di ricambio
Manual for use, maintenance and spare parts
Bedienungs- und Wartungshandbuch sowie Ersatzteilliste
Mode d'emploi, de maintenance et pièces de rechange
Manual de uso, mantenimiento y recambios
Εγχειρίδιο χρήσης, συντήρησης και ανταλλακτικών
Manual de uso, manutenção e peças sobresselentes
Handleiding voor gebruik, onderhoud en wisselstukken
Kullanım, bakım ve yedek parça kılavuzu



PNC1

cod. 195MPNC1

Indice di modifica
Upgrade number

0

Misure impiegabili mm (inch)
Usable lengths mm (inch)

a1 102 ÷ 178
(4" ÷ 7")

a2 50 ÷ 90
(2" ÷ 3-9/16")

a3 32 ÷ 64
(1-1/4" ÷ 2/1-2")

Pressione d'esercizio bar (psi)
Working pressure bar (psi)

5 ÷ 8
(70 ÷ 115)

Consumo aria litri/colpo a 7 bar
Air consumption litres/shot at 7 bar

0,22

Peso kg
Weight kg

1,32

Dimensioni (AxBxH) mm
Dimensions mm

142x90x30

Pressione sonora

Max A-Weighted surface impulse sound pressure level

100 dBA

Potenza sonora emessa

Max A-Weighted impulse sound power level

104 dBA

Vibrazione

Vibration

23 m/s²

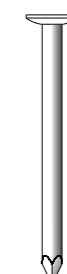
omer s.p.a.

Via Foresto, 42 - 31058 SUSEGANA (TV) ITALY
Tel. 0438 455 318 Fax 0438 455 530
e-mail: omer@omer.it www.omer.it

195MPNC1_PNC1_0_rev20_01/12/2021_FL

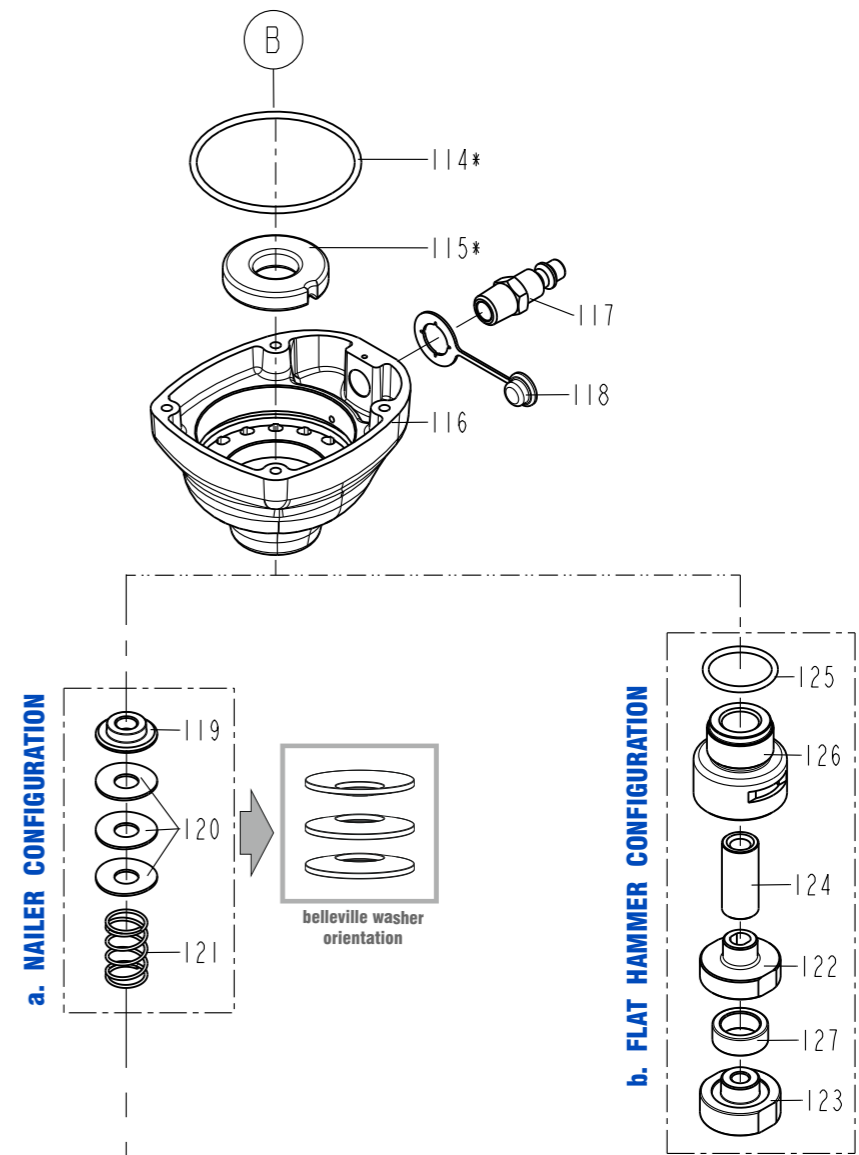
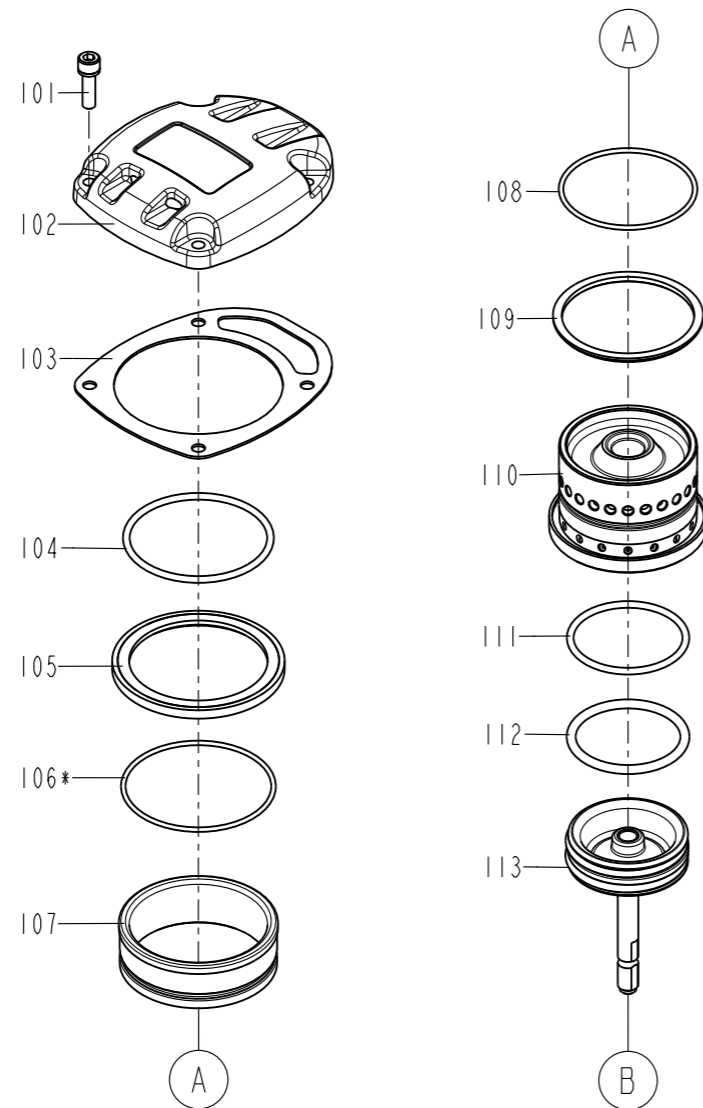
Configuration	Nail Head Ø
a1. LARGE NAILS	< 15,2 mm 0,6"
a2. MEDIUM NAILS (magnetic)	< 8,7 mm 0,344"
a3. FINISH NAILS (magnetic)	< 4,9 mm 0,193"
b. FLAT HAMMER	ANY

a1 a2 a3



Ref. No. Part No. Description

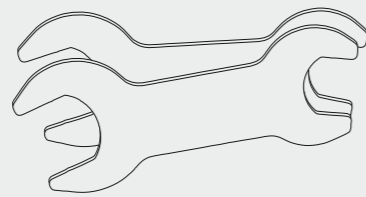
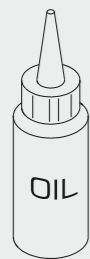
101	2MDB1564-A101	Bolt Assy
102	2MPNC1-A102	Cap
103	2MPNC1-A103	Packing
104	2MPNC1-A104	O-Ring
105	2MPNC1-A105	Collar
106	2MPNC1-A106	O-Ring
107	2MPNC1-A107	Cylinder Spacer
108	2MPNC1-A108	O-Ring
109	2MPNC1-A109	Seal
110	2MPNC1-A110	Cylinder
111	2MPNC1-A111	O-Ring
112	2MPNC1-A112	O-Ring
113	2MPNC1-A113	Driver Unit
114	2MPNC1-A114	O-Ring
115	2MPNC1-A115	Bumper
116	2MPNC1-A116	Body
117	2MPNC1-A117	Air Plug
118	2MCN3165-A304	Dust Cover
119	2MPNC1-A119	Driver Guide
120	2MPNC1-A120	Belleville Washer
121	2MPNC1-A121	Spring
122	2MPNC1-A122	Guide Block
123	2MPNC1-A123	Hammer Tip
124	2MPNC1-A124	Spacer Rod
125	2MPNC1-A125	O-Ring
126	2MPNC1-A126	Driver Guide
127	2MPNC1-A127	Packing
128	2MPNC1-A128	Driver Guide
129	2MPNC1-A129	Driver Guide
130	2MPNC1-A130	Rod
143	2MPNC1-A143	Magnetic tip
144	2MPNC1-A144	Magnetic tip (Finish nail)



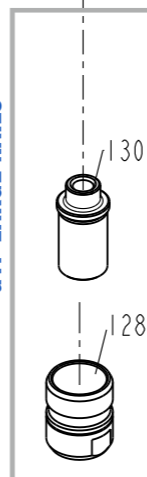
a. NAILER CONFIGURATION

b. FLAT HAMMER CONFIGURATION

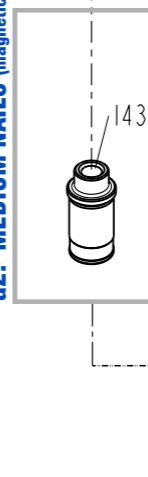
Dotazioni - Equipment - Ausstattung - Outillage - Dotaciones - Εξοπλισμός
Dotações - Uitrusting - Donanımlar



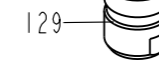
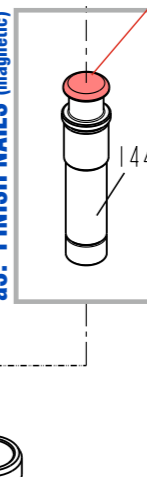
a1. LARGE NAILS



a2. MEDIUM NAILS (magnetic)



a3. FINISH NAILS (magnetic)



Parti di ricambio - Spare parts - Ersatzteile - Pièces de rechange - Recambios
Ανταλλακτικά - Partes sobresselentes - Wisselstukken - Yedek parçalar

PNC1

cod. 195MPNC1

Indice di modifica
Upgrade number

0