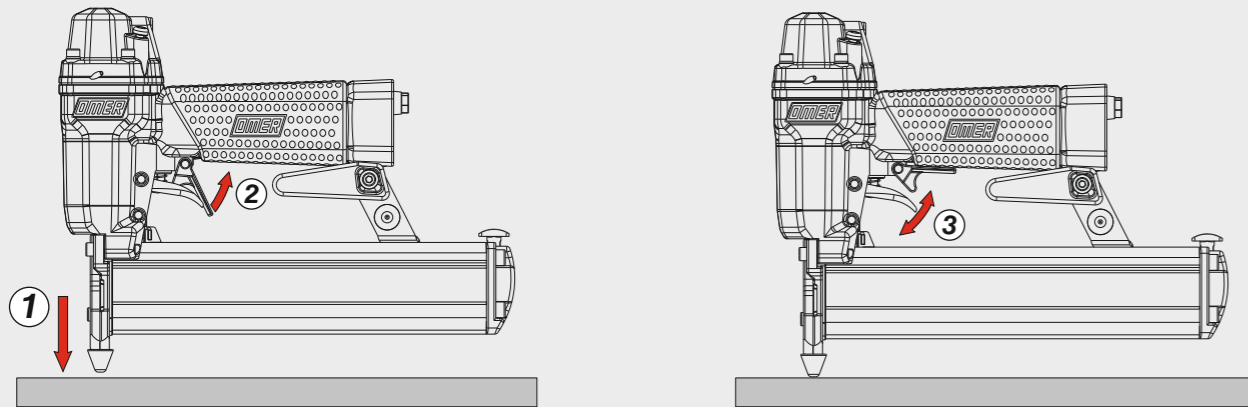
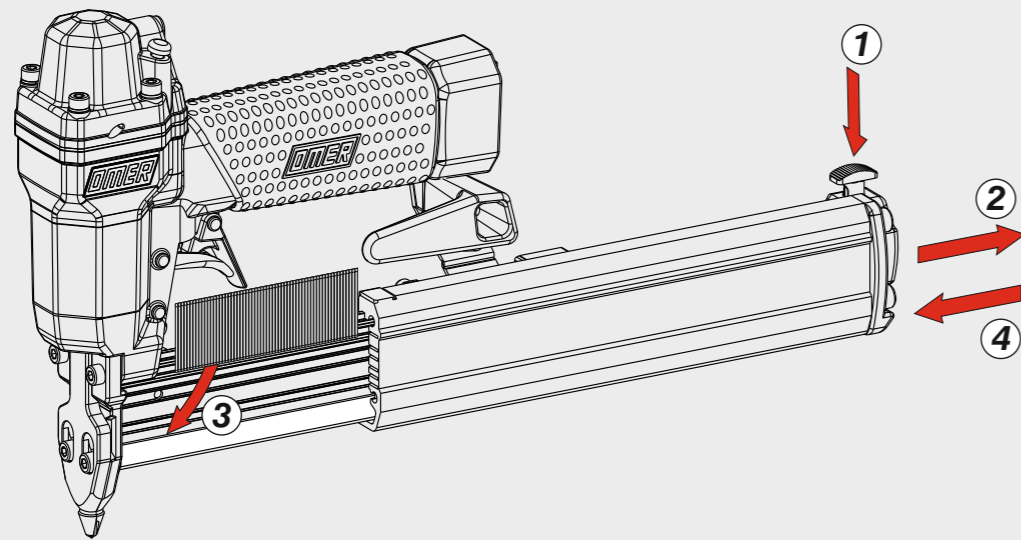


**Azionamento singolo con doppia attivazione**  
 Single actuation with dual activation

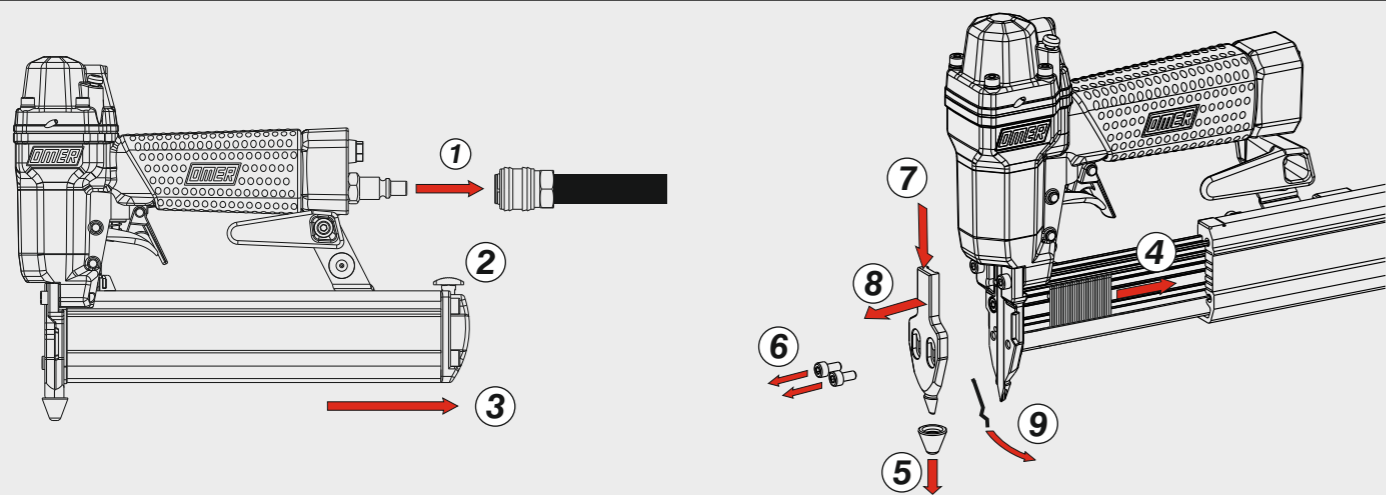


Caricamento - Loading - Laden - Chargement - Carga - Γέμισμα - Carregamento - Laden - Yükleme - Laddning

**Caricamento dal fianco**  
 Side load magazine



Disincerramento - Jam clearing - Staubeseitigung - Décoincement - Desatascamiento - Απεμπλοκή  
 Desencravamento - Deblokkering bij vastlopen - Sıkışma giderme - Rensning av igensättningar



Manuale d'uso, manutenzione e parti di ricambio	Parte 2
Manual for use, maintenance and spare parts	Part 2
Bedienungs- und Wartungshandbuch sowie Ersatzteilliste	Teil 2
Mode d'emploi, de maintenance et pièces de rechange	Partie 2
Manual de uso, mantenimiento y recambios	Part 2
Εγχειρίδιο χρήσης, συντήρησης και ανταλλακτικών	Μέρος 2
Manual de uso, manutenção e peças sobresselentes	Parte 2
Handleiding voor gebruik, onderhoud en wisselstukken	Deel 2
Kullanım, bakım ve yedek parça kılavuzu	Kısım 2
Användar-, underhålls- och reservdelshandbok	Del 2



**B6.35**

cod. 1140240



Dati tecnici Technical data Technische Daten Tekniska data	Caractéristiques techniques Datos técnicos Τεχνικά χαρακτηριστικά	Dados técnicos Technische gegevens Teknik veriler
---	---	---

<b>Misure impiegabili</b> Lengths Verwendbare Nagellänge Dimensioner som kan användas	Dimensions utiles Medidas de longitud Μήκος Αναλωσίμου	Medidas utilizáveis Toepasbare afmetingen Boy	<b>12 ÷ 35</b>
<b>Capacità caricatore n° punti</b> Magazine capacity Magazinkapazität: Nägel Magasinkapacitet: Antal punkter	Capacité chargeur n° de points Capacidad cargador n° puntos Δυνατότητα γεμιστέρα	Capacidade carregador n° pontos Capaciteit magazijn in aantal spijkers Dergi kapasitesi	<b>200</b>
<b>Pressione d'esercizio</b> Operating pressure Betriebsdruck Drifttryck	Pression d'exercice Presión de servicio Πίεση λειτουργίας	Pressão de serviço Werkdruk Çalışma basıncı	<b>4,5 ÷ 6 bar 65 ÷ 90 psi</b>
<b>Consumo aria</b> Air consumption Luftverbrauch Luftförbrukning	Consommation d'air Consumo aire Κατανάλωση αέρα	Consumo ar Luchtverbruik Hava tüketimi	<b>0,15</b>
<b>Peso</b> Weight Gewicht Vikt	Poids Peso Βάρος	Peso Gewicht Ağırlık	<b>1,07</b>
<b>Dimensioni</b> Dimensions Abmessungen Dimensioner (AxBxH)	Dimensions Διαστάσεις	Dimensões Afmetingen Boyutlar	<b>240x43x192</b> (LxWxH)

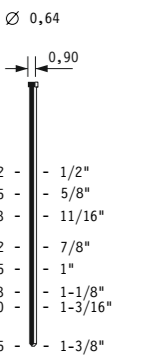
<b>EN 12549 :2009 EN ISO 4871 :2009</b>	<b>Pressione sonora in pos. operatore</b> Sound pressure in operator's position Schalldruck am Arbeitsplatz Ljudtryck på operatörsplatsen	Pression sonore poste Opérateur Presión sonora en la pos. del operador Ηχητική πίεση στη θέση του χειριστή Operatör pozisyonunda ses basıncı	<b>78 dB(A)</b> (K= 4 dB)
---	--	---	------------------------------

<b>EN 12549 :2009 EN ISO 3746 :2011 EN ISO 4871 :2009</b>	<b>Potenza sonora emessa</b> Sound power emitted Emitierte Schalleistung Avgiven ljudeffekt	Puissance sonore émise Potencia sonora emitida Εκπεμπόμενη ηχητική ισχύς	<b>86 dB(A)</b> (K= 4 dB)
---	--	--	------------------------------

<b>CEN ISO/TS 8662-11 :2006 EN ISO 5349-2 :2004 EN 12096 :1999</b>	<b>Emissione vibratoria sull'impugnatura</b> Vibratory emissions on handle Vibrationsemission am Griff Vibrationsemission på handtaget	Émission vibratoire sur la prise en main Emisión de vibraciones en la empuñadura Εκπεμπόμενες δονήσεις στη λαβή Tutamak üzerindeki vibrasyon emisyonları	<b>&lt;2,5 m/s<sup>2</sup></b> (K= 2 m/s <sup>2</sup> )
--	---	---	--

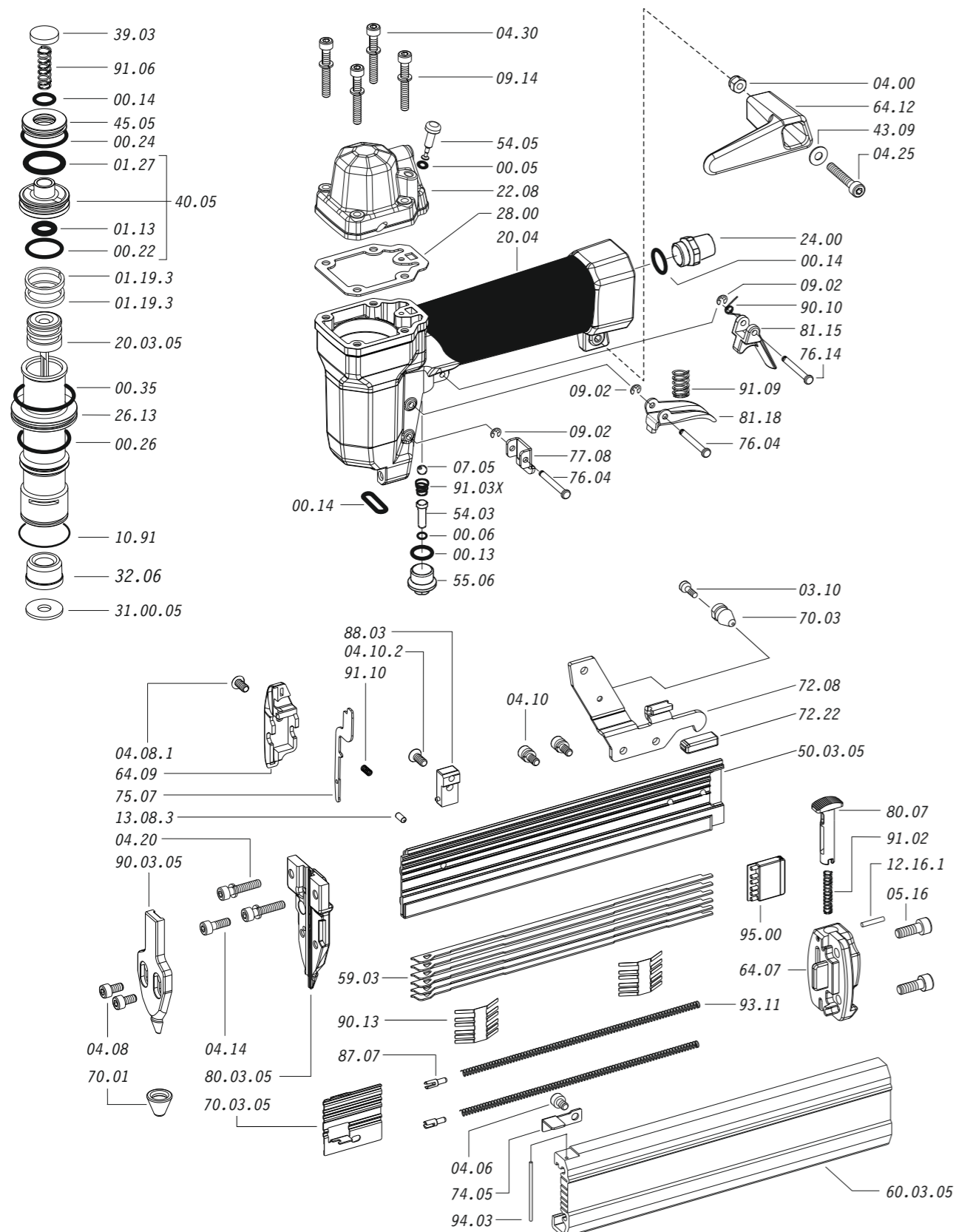
**Tipo di punto**  
Type of fastener  
Befestigungsmittel  
Type de rivet  
Tipo de punto  
Τύπος αναλωσίμου  
Tipo de agrafó  
Type nietjes  
Zimba ve çivi tipleri  
Typ av stygn

**Brads B6**

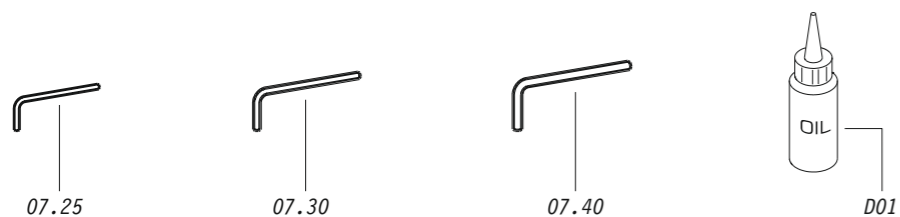


Head width: .035"  
Shank dia: .025"  
Gauge: 23

Parti di ricambio - Spare parts - Ersatzteile - Pièces de rechange - Recambios  
Ανταλλακτικά - Partes sobresselentes - Wisselstukken - Yedek parçalar - Reservdelar



Dotazioni - Equipment - Ausstattung - Outillage - Dotaciones - Εξοπλισμός  
Dotações - Uitrusting - Donanımlar - Utrustning



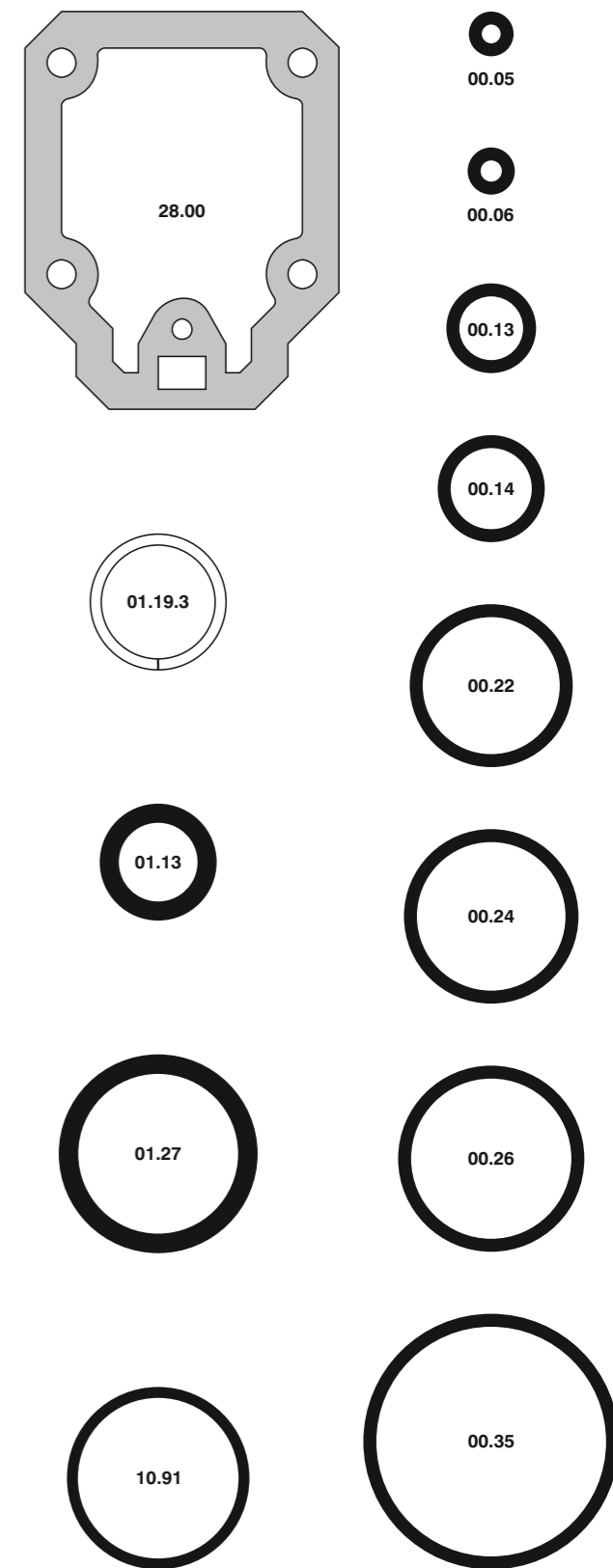
**B6.35**

cod. 1140240

Parti di ricambio - Spare parts - Ersatzteile - Pièces de rechange - Recambios  
Ανταλλακτικά - Partes sobresselentes - Wisselstukken - Yedek parçalar - Reservdelar

Cod.	Descrizione	Description
00.05	O-Ring	O-Ring
00.06	O-Ring	O-Ring
00.13	O-Ring	O-Ring
00.14	O-Ring	O-Ring
00.22	O-Ring	O-Ring
00.24	O-Ring	O-Ring
00.26	O-Ring	O-Ring
00.35	O-Ring	O-Ring
01.13	O-Ring	O-Ring
01.19.3	Guarnizione	Gasket
01.27	O-Ring	O-Ring
03.10	Vite	Screw
04.00	Dado	Nut
04.06	Vite	Screw
04.08	Vite	Screw
04.08.1	Vite	Screw
04.10	Vite	Screw
04.10.2	Vite	Screw
04.14	Vite	Screw
04.20	Vite	Screw
04.25	Vite	Screw
04.30	Vite	Screw
05.16	Vite	Screw
07.05	Sfera	Ball
07.25	Chiave esagonale	Hex. bar wrench
07.30	Chiave esagonale	Hex. bar wrench
07.40	Chiave esagonale	Hex. bar wrench
09.02	Anello elastico	Elastic ring
09.14	Rondella	Washer
10.91	O-Ring	O-Ring
12.16.1	Spina	Pin
13.08.3	Spina	Pin
20.04	Corpo	Body
22.08	Testa	Head
24.00	Silenziatore	Silencer
26.13	Cilindro	Cylinder
28.00	Guarnizione	Gasket
32.06	Ammortizzatore	Bumper
39.03	Guarnizione scarico	Exhaust gasket
40.05	Valvola completa	Valve ass'y
43.09	Rondella	Washer
45.05	Anello valvola	Ring
54.03	Pulsante sparo	Trigger valve
54.05	Pulsante soffio	Air button
55.06	Raccordo	Bush
59.03	Distanziale	Spacer
64.07	Fondello	Cap
64.09	Carter	Carter
64.12	Gancio	Hanging-Hook
70.01	Puntale	Contact tip
70.03	Supporto puntale	Contact tip support
72.08	Reggicaricatore	Support
72.22	Fermo carrello	Slider-stop
74.05	Fermo perno	Pin-stop
75.07	Blocco grilletto	Trigger lock
76.04	Perno	Pin
76.14	Perno	Pin
77.08	Guida sicura	Safety guide
80.07	Grilletto chiusura	Trigger lock
81.15	Controgrilletto	Safety
81.18	Grilletto comando	Trigger
87.07	Portamolla	Spring bearing
88.03	Supporto	Support
90.10	Molla	Spring
90.13	Molla	Spring
91.02	Molla	Spring
91.03X	Molla	Spring
91.06	Molla	Spring
91.09	Molla	Spring
91.10	Molla	Spring
93.11	Molla	Spring
94.03	Perno	Pin
95.00	Scatola molle	Spring box
20.03.05	Battente	Driver
31.00.05	Rondella	Washer
50.03.05	Caricatore	Magazine
60.03.05	Carrello	Slider
70.03.05	Spingipunto	Pusher
80.03.05	Controtestina	Nose
90.03.05	Testina	Nose plate
D01	Bocchetta olio	Oiler

Guarnizioni - O-Rings - Dichtungen - Joints toriques - Juntas - Δοκτύλιος στεγανοποίησης - Vedantes - O-ringen - Contalar - O-ringar



00.70.9

**B6.35**

cod. 1140240

Indice di modifica  
Upgrade number

**1**