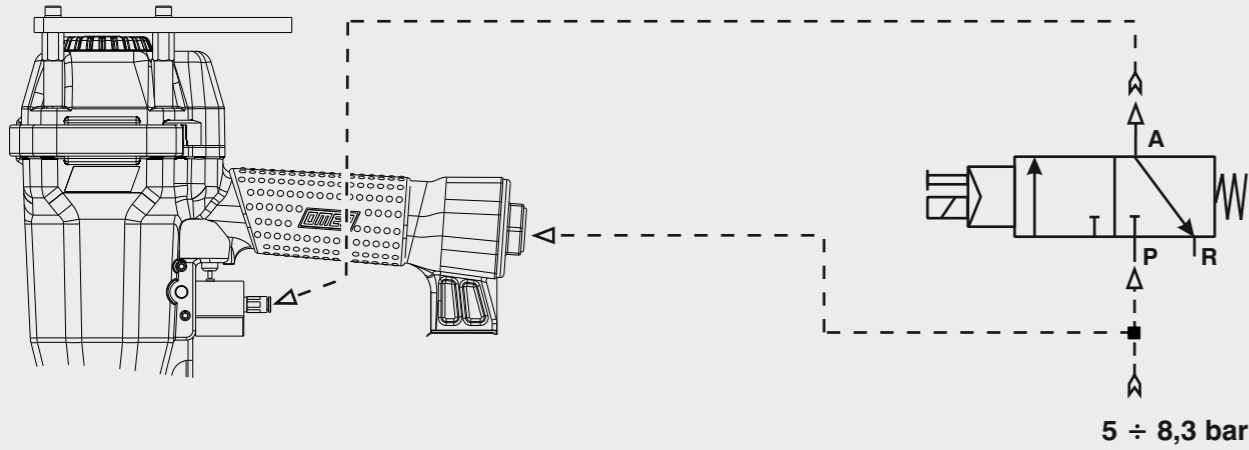


Schema di collegamento - Connecting diagram

Collegamento per valvola 3/2 NC
Connection for valve 3/2 NC



Manuale d'uso, manutenzione e parti di ricambio	Parte 2
Manual for use, maintenance and spare parts	Part 2
Bedienungs- und Wartungshandbuch sowie Ersatzteilleiste	Teil 2
Mode d'emploi, de maintenance et pièces de rechange	Partie 2
Manual de uso, mantenimiento y recambios	Part 2
Εγχειρίδιο χρήσης, συντήρησης και ανταλλακτικών	Μέρος 2
Manual de uso, manutenção e peças sobresselentes	Parte 2
Handleiding voor gebruik, onderhoud en wisselstukken	Deel 2
Kullanım, bakım ve yedek parça kılavuzu	Kısım 2

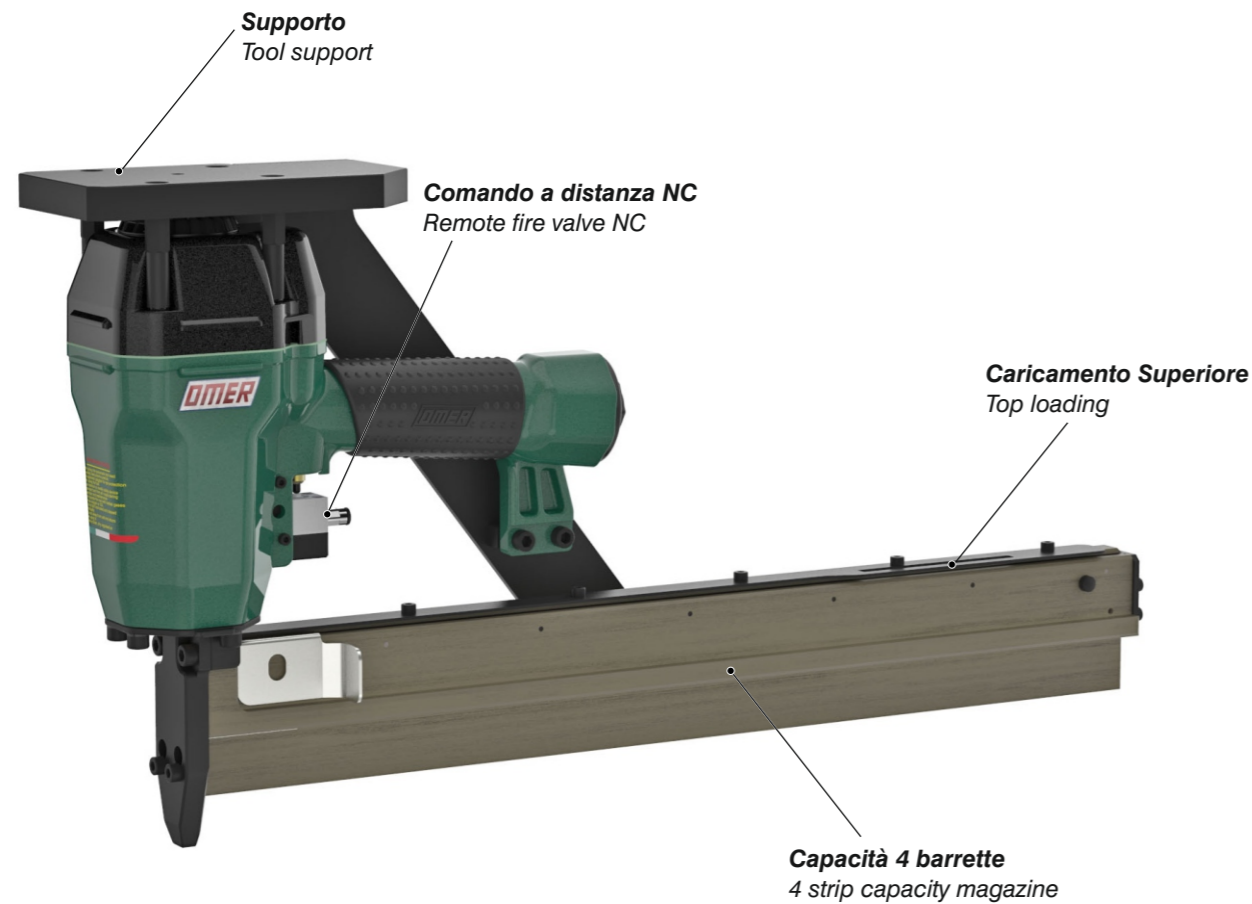


B17.70 CL4-4



cod. 1841750-4

Caratteristiche - Features - Merkmale - Caractéristiques - Características - Χαρακτηριστικά - Características - Kenmerken - Özellikler

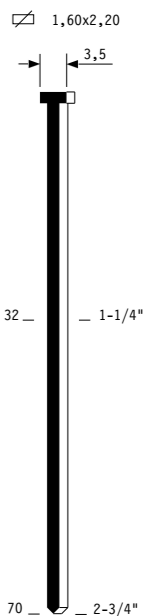


Dati tecnici Technical data Technische Daten	Caractéristiques techniques Datos técnicos Τεχνικά χαρακτηριστικά	Dados técnicos Technische gegevens Teknik veriler
--	---	---

Misure impiegabili mm Lengths mm Verwendbare Nagellänge mm	Dimensions utiles mm Medidas de longitud mm Μήκος Αναλωσίμου - mm	Medidas utilizáveis mm Toepasbare afmetingen mm Boy mm	32 ÷ 70
Capacità caricatore n° punti Magazine capacity Magazinkapazität Nägel	Capacité chargeur n° de points Capacidad cargador n° puntos Δωνατοτητα γεμιστερα	Capacidade carregador n° pontos Capaciteit magazijn in aantal spijkers Dergi kapasitesi	160
Pressione d'esercizio Operating pressure Betriebsdruck	Pression d'exercice Presión de servicio Πίεση λειτουργίας	Pressão de serviço Werkdruk Çalışma basıncı	5 ÷ 8,3 bar 70 ÷ 120 psi
Consumo aria litri/colpo Air consumption litres/stroke Luftverbrauch Liter/Schuss	Consumation d'air litres/coup Consumo aire litros/golpe Κατανάλωση αέρα - λίτρα/βολή	Consumo ar litros/disparo Luchtverbruik liter/slag Litre/vuruş hava tüketimi	1,40
Peso kg Weight kg Gewicht kg	Poids kg Peso kg Βάρος - kg	Peso kg Gewicht in kg Ağırlık kg	4,46
Dimensioni mm Dimensions mm Abmessungen mm	Dimensions mm Dimensiones mm Διαστάσεις mm	Dimensões mm Afmetingen mm Boyutlar mm	586x92x303 (LxWxH)
UNI EN 12549 :2009	UNI EN ISO 3746 :2011	UNI EN ISO 4871 :2009	
Potenza sonora emessa Sound power emitted Emittierte Schalleistung	Puissance sonore émise Potencia sonora emitida Εκπεμπόμενη ηχητική ισχύς	Potência sonora emitida Geëmitteerd geluidsvermogen Çıkan ses gücü (ses desibeli)	99 dB(A) (K= 4 dB)

Tipo di punto
Type of fastener
Befestigungsmittel
Type de rivet
Tipo de punto
Τύπος αναλωσίμου
Tipo de agrafó
Type nietjes
Zimba ve çivi tipleri

Brads 17

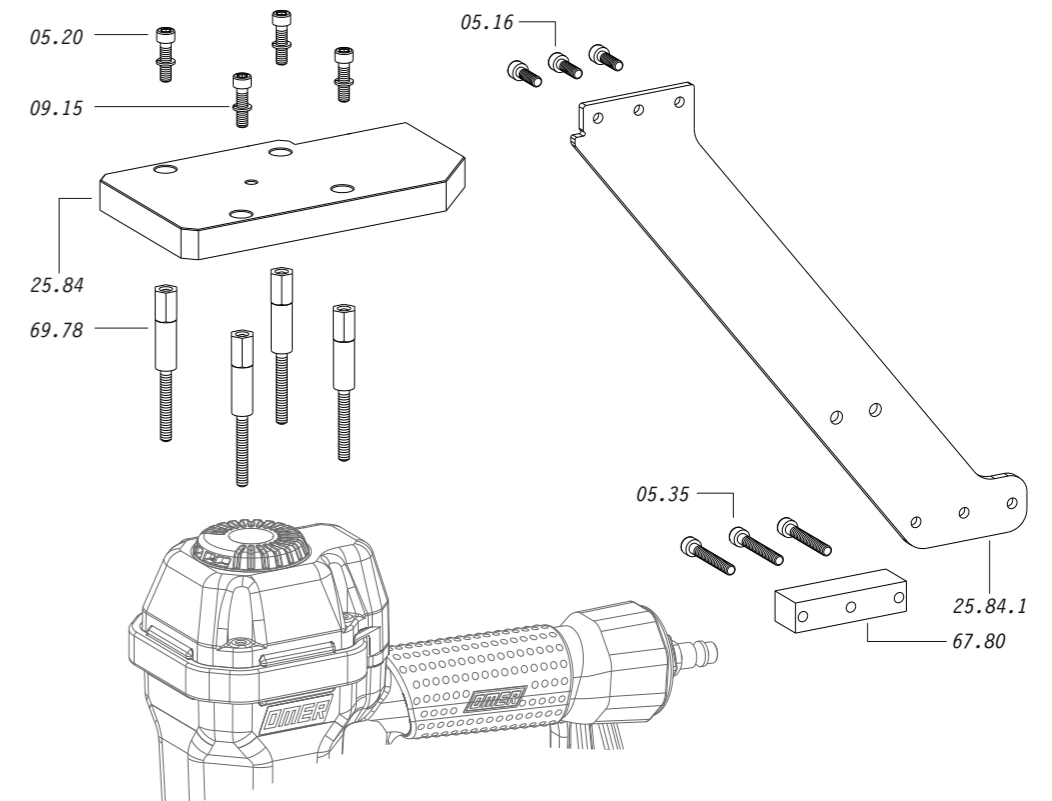
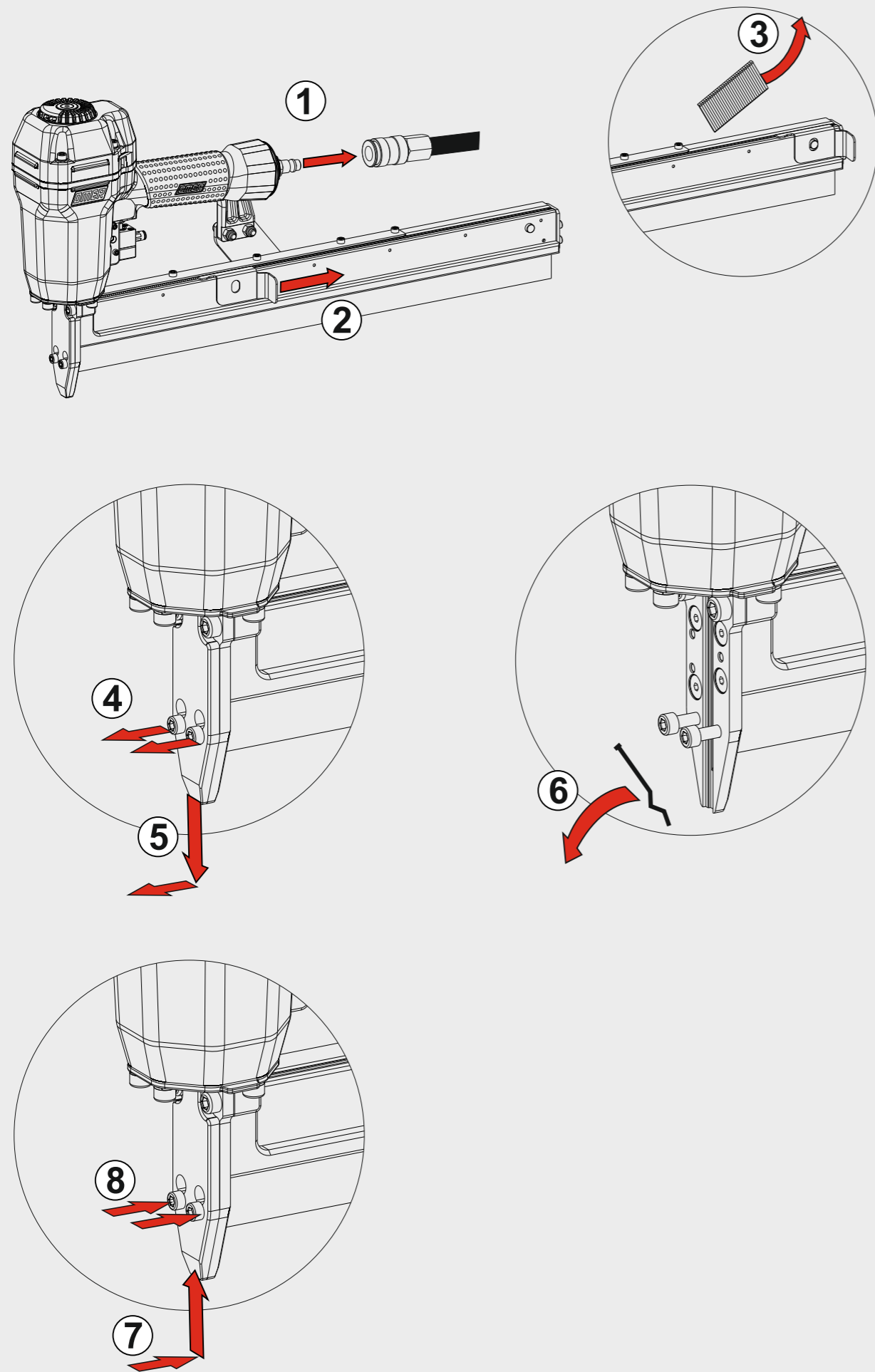


Head width: .137"
Gauge: 14

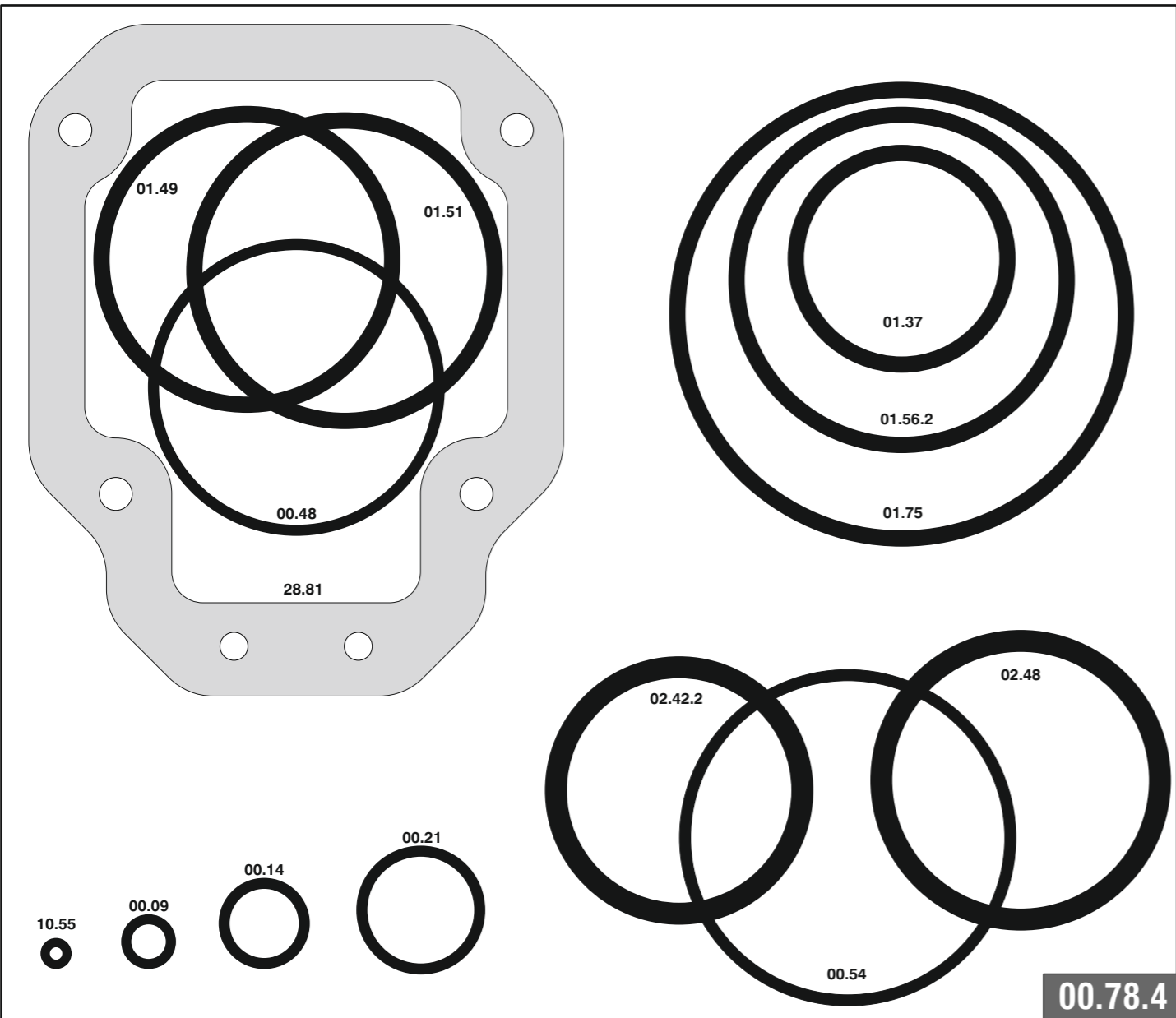
**DO NOT
HANDHELD
THIS TOOL**



1841750-4_B1770CL4-4_4_reb20_24/11/2020 IV



Cod.	Descrizione	Description	Cod.	Descrizione	Description
00.09	O-Ring	O-Ring	21.83	Corpo	Body
00.12	O-Ring	O-Ring	22.82	Testa	Head
00.14	O-Ring	O-Ring	25.81	Deflettore	Deflector
00.21	O-Ring	O-Ring	25.84	Piastra superiore	Top plate
00.37	O-Ring	O-Ring	25.84.1	Supporto	Support
00.48	O-Ring	O-Ring	26.83	Cilindro	Cylinder
00.54	O-Ring	O-Ring	27.82	Anello cilindro	Cylinder ring
01.37	O-Ring	O-Ring	28.81	Guarnizione testa	Head gasket
01.49	O-Ring	O-Ring	30.82.1	Pistone	Piston
01.51	O-Ring	O-Ring	32.85	Ammortizzatore	Bumper
01.56.2	O-Ring	O-Ring	40.83	Valvola completa	Valve ass'y
01.75	O-Ring	O-Ring	43.16.4	Rondella	Washer
02.40.1	Guarnizione	Gasket	44.73	Guarnizione cilindro	Cylinder gasket
02.48	O-Ring	O-Ring	44.80	Ammortizzatore	Bumper
03.00	Dado	Nut	44.82	Distanziale	Spacer
03.12.1	Vite	Screw	50.83	Pulsante completo	Trigger valve ass'y
03.20	Vite	Screw	50.83.3	Comando a distanza	Remote fire valve
03.31	Vite	Screw	51.83	Boccola pulsante	Trigger valve housing
04.10	Vite	Screw	53.83	Pistone servovalvola	Valve piston
04.14	Vite	Screw	54.83	Pulsante	Trigger valve
04.16.5	Vite	Screw	55.83	Raccordo pulsante	Bush
05.00	Dado	Nut	60.83	Guida sx	Left guide
05.12	Vite	Screw	61.83	Guida dx	Right guide
05.16	Vite	Screw	64.83	Carter	Carter
05.16.2	Vite	Screw	67.80	Distanziale	Spacer
05.35	Vite	Screw	67.81	Distanziale	Spacer
06.00.1	Dado	Nut	68.80	Fondello	Backplate
06.20	Vite	Screw	69.78	Distanziale	Spacer
06.25.2	Vite	Screw	73.71.2	Perno	Pin
06.35	Vite	Screw	86.17.3	Carrucola	Pulley
07.25	Chiave esagonale	Hex. bar wrench	86.80	Boccola	Bush
07.30	Chiave esagonale	Hex. bar wrench	91.00	Molla	Spring
07.40	Chiave esagonale	Hex. bar wrench	91.73	Molla	Spring
07.50	Chiave esagonale	Hex. bar wrench	92.73	Molla	Spring
09.15	Rondella	Washer	93.47.2	Molla	Spring
09.16	Rondella	Washer	21.80.29	Battente	Driver
09.21	Anello elastico	Elastic ring	70.80.29	Spingipunto	Pusher
10.55	O-Ring	O-Ring	80.80.00	Flangia	Flange
17.27	Tappo	Inlet cap	80.80.29	Controtestina	Nose
17.30.5	Attacco	Connection	90.80.29	Testina	Nose plate
18.04	Pistoncino	Piston	D01	Bocchetta olio	Oiler
			D02	Occhiali protettivi	Protective goggles



Dotazioni - Equipment - Ausstattung - Outillage - Dotaciones - Εξοπλισμός
Dotações - Uitrusting - Donanımlar

