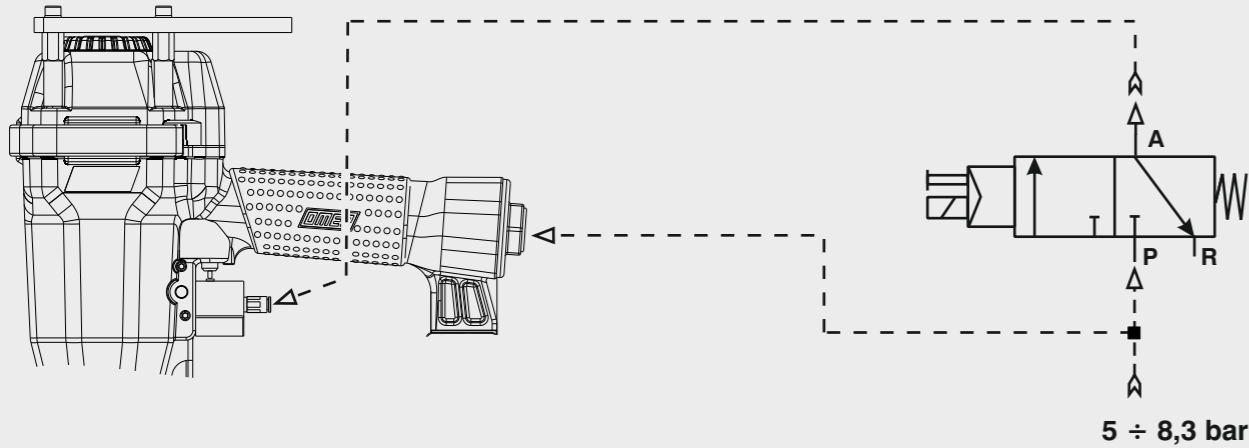
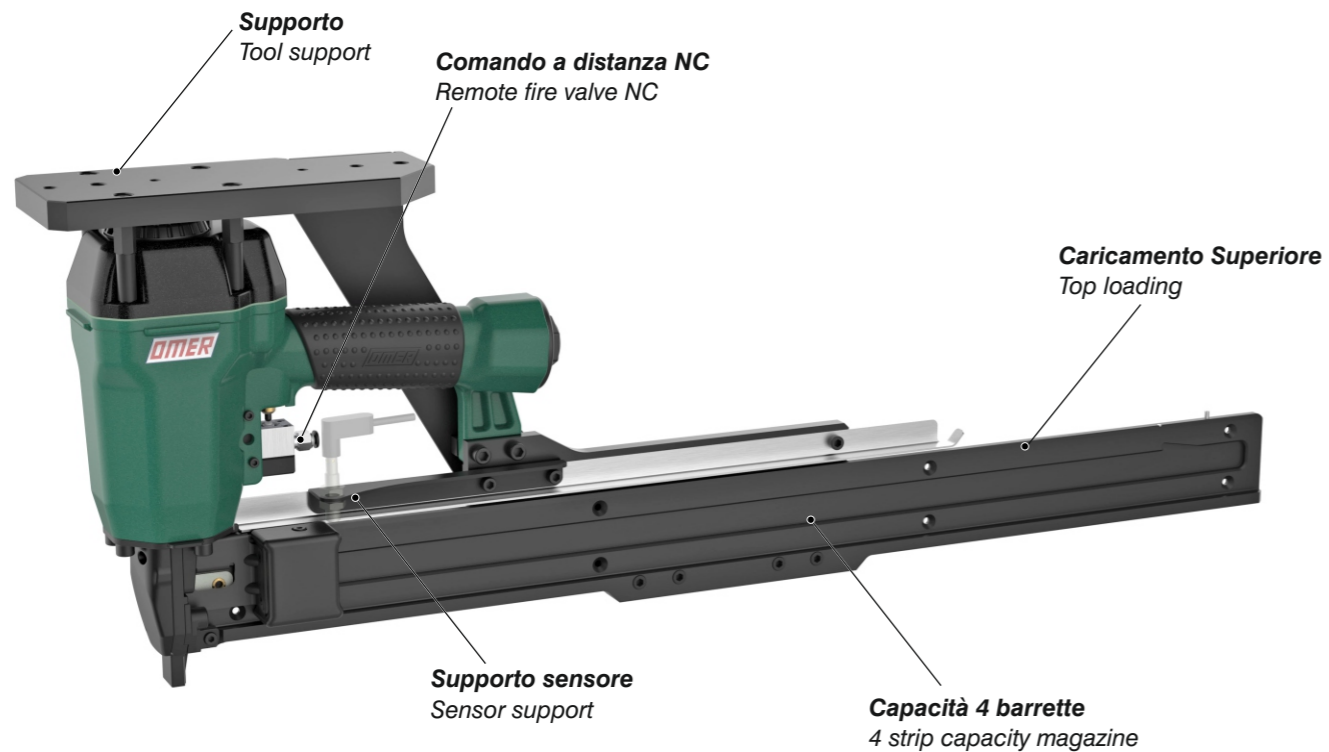


Schema di collegamento - Connecting diagram

Collegamento per valvola 3/2 NC
Connection for valve 3/2 NC

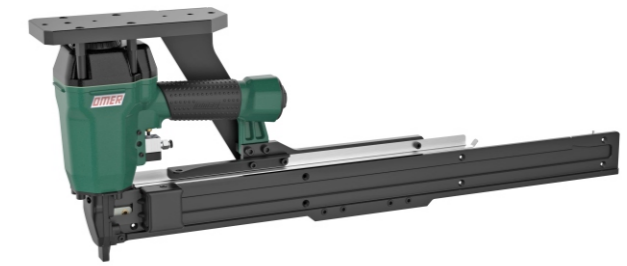


Caratteristiche - Features - Merkmale - Caractéristiques - Características - Χαρακτηριστικά - Características - Kenmerken - Özellikler



OMER®

Manuale d'uso, manutenzione e parti di ricambio	Parte 2
Manual for use, maintenance and spare parts	Part 2
Bedienungs- und Wartungshandbuch sowie Ersatzteilleiste	Teil 2
Mode d'emploi, de maintenance et pièces de rechange	Partie 2
Manual de uso, mantenimiento y recambios	Part 2
Εγχειρίδιο χρήσης, συντήρησης και ανταλλακτικών	Μέρος 2
Manual de uso, manutenção e peças sobresselentes	Parte 2
Handleiding voor gebruik, onderhoud en wisselstukken	Deel 2
Kullanım, bakım ve yedek parça kılavuzu	Kısım 2



1016.50 CL4-42



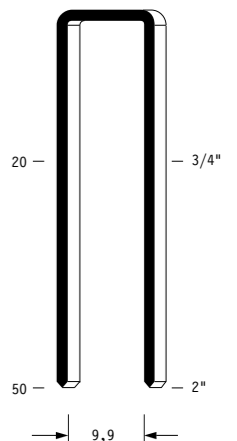
cod. 1858650-42

Dati tecnici Technical data Technische Daten	Caractéristiques techniques Datos técnicos Τεχνικά χαρακτηριστικά	Dados técnicos Technische gegevens Teknik veriler
Misure impiegabili mm Lengths mm Verwendbare Nagellänge mm	Dimensions utiles mm Medidas de longitud mm Μήκος Αναλώσιμου - mm	Medidas utilizáveis mm Toepasbare afmetingen mm Boy mm
Capacità caricatore n° punti Magazine capacity Magazinkapazität Nägel	Capacité chargeur n° de points Capacidad cargador n° puntos Δωνατοτητα γεμιστερα	Capacidade carregador n° pontos Capaciteit magazijn in aantal spijkers Dergi kapasitesi
Pressione d'esercizio Operating pressure Betriebsdruck	Pression d'exercice Presión de servicio Πίεση λειτουργίας	Pressão de serviço Werkdruk Çalışma basıncı
Consumo aria litri/colpo Air consumption litres/stroke Luftverbrauch Liter/Schuss	Consumation d'air litres/coup Consumo aire litros/golpe Κατανάλωση αέρα - λίτρα/βολή	Consumo ar litros/disparo Luchtverbruik liter/slag Litre/vuruş hava tüketimi
Peso kg Weight kg Gewicht kg	Poids kg Peso kg Βάρος - kg	Peso kg Gewicht in kg Ağırlık kg
Dimensioni mm Dimensions mm Abmessungen mm	Dimensions mm Dimensiones mm Διαστάσεις mm	Dimensões mm Afmetingen mm Boyutlar mm
UNI EN 12549 :2009	UNI EN ISO 3746 :2011	UNI EN ISO 4871 :2009
Potenza sonora emessa Sound power emitted Emittierte Schalleistung	Puissance sonore émise Potencia sonora emitida Εκπεμπόμενη ηχητική ισχύς	Potência sonora emitida Geëmitteerd geluidsvermogen Çıkan ses gücü (ses desibeli)

Tipo di punto
Type of fastener
Befestigungsmittel
Type de rivet
Tipo de punto
Τύπος αναλώσιμου
Tipo de agrafó
Type nietjes
Zimba ve çivi tipleri

1016

1,40x1,60



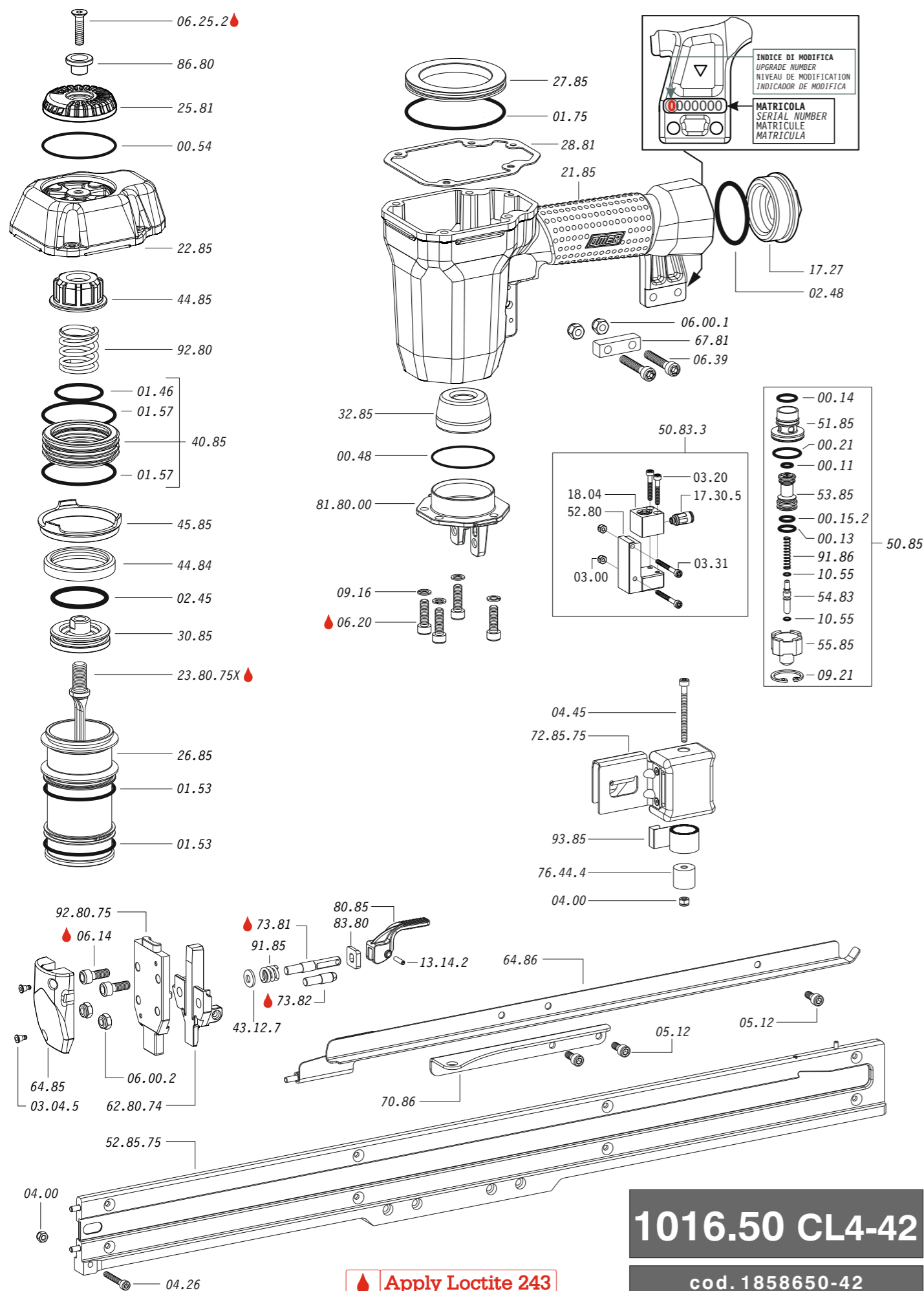
Crown: .500 (1/2")
Gauge: 16

**DO NOT
HANDHELD
THIS TOOL**



1858650-42_101650CL4-42_4_rev20_28/12/2021 FL

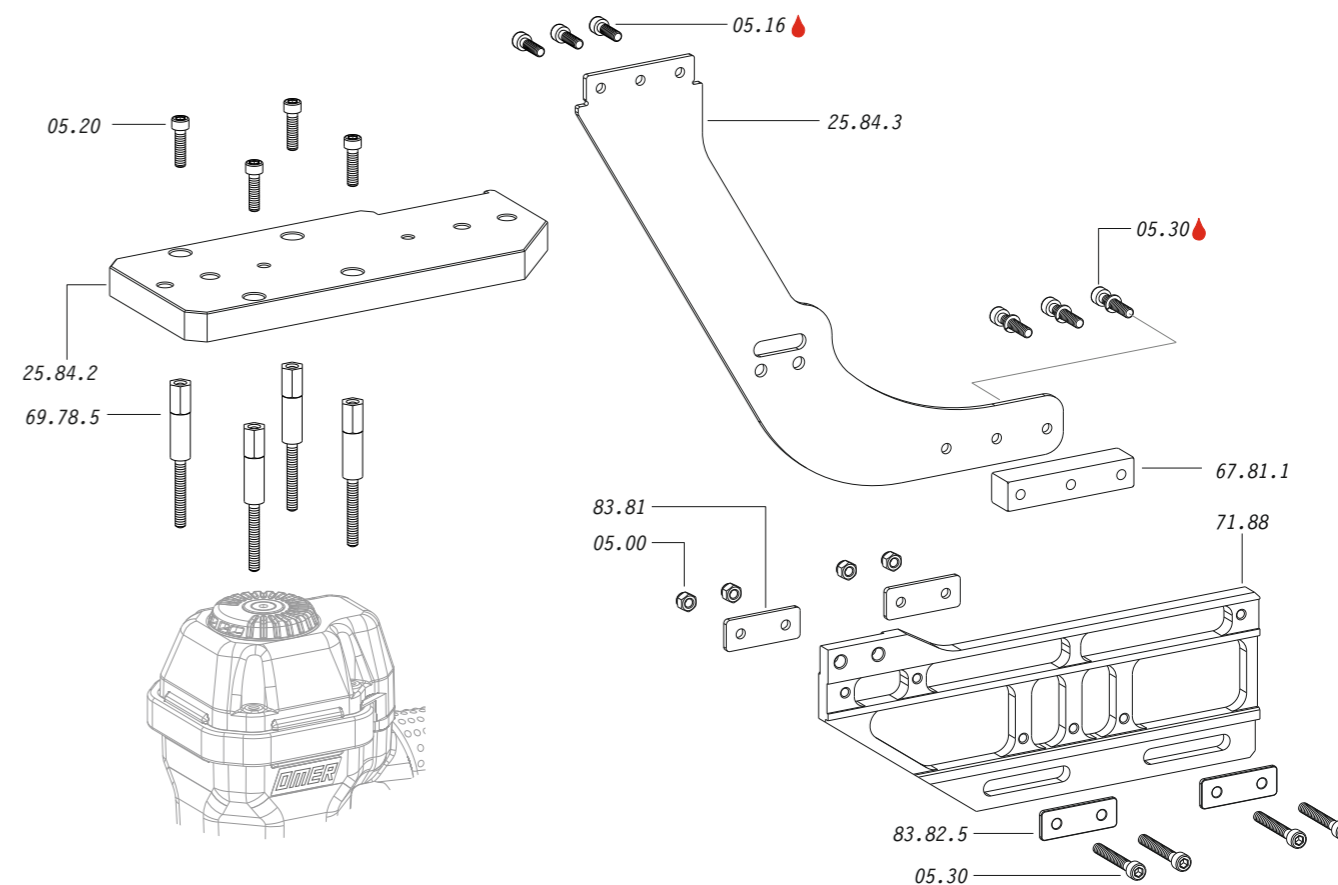
Parti di ricambio - Spare parts - Ersatzteile - Pièces de rechange - Recambios
Ανταλλακτικά - Partes sobresselentes - Wisselstukken - Yedek parçalar



1016.50 CL4-42

cod. 1858650-42

Parti di ricambio - Spare parts - Ersatzteile - Pièces de rechange - Recambios
Ανταλλακτικά - Partes sobresselentes - Wisselstukken - Yedek parçalar



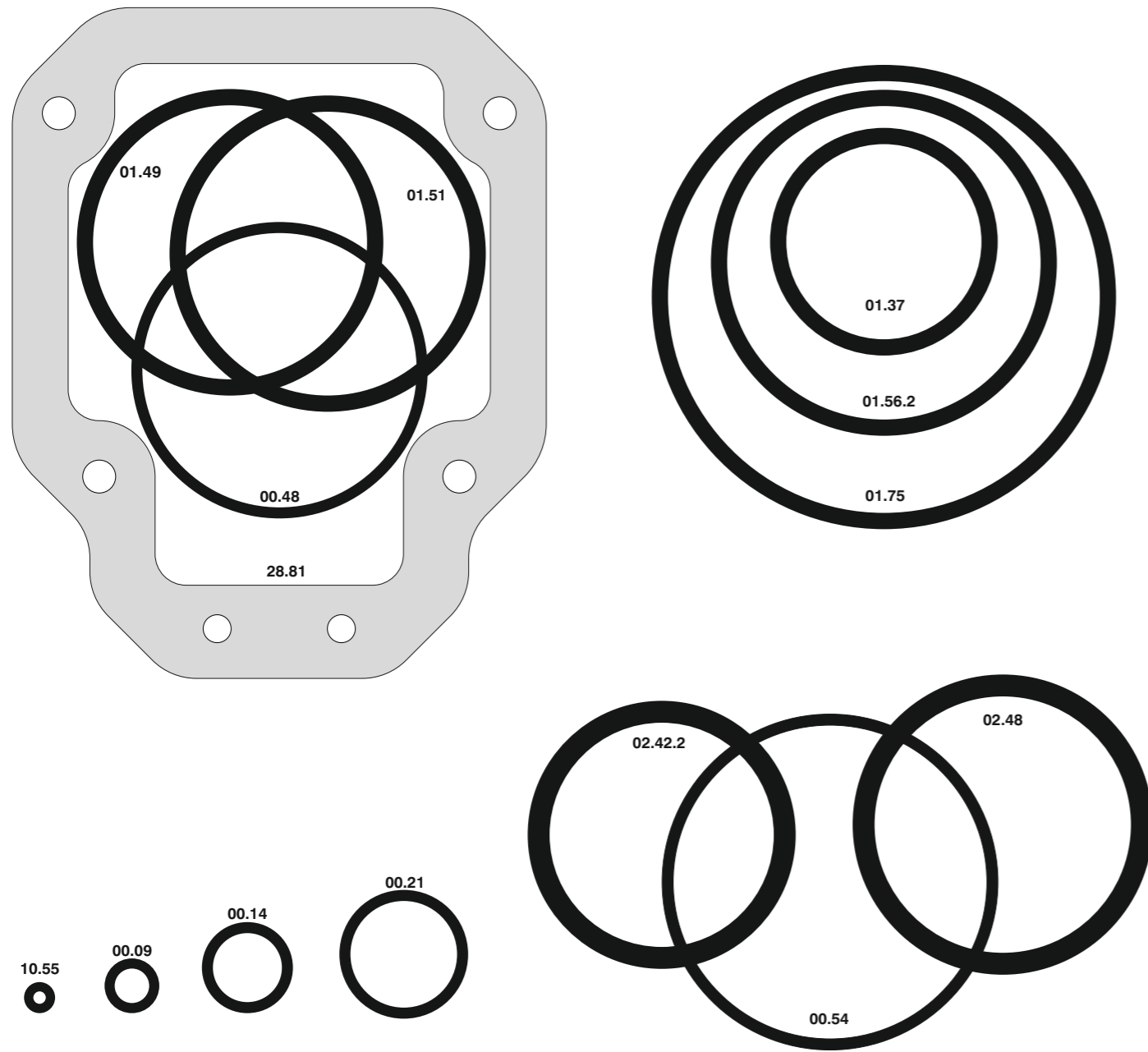
Cod.	Descrizione	Description	Cod.	Descrizione	Description
00.11	O-Ring	O-Ring	25.84.3	Supporto	Support
00.13	O-Ring	O-Ring	26.85	Cilindro	Cylinder
00.14	O-Ring	O-Ring	27.85	Anello cilindro	Cylinder ring
00.15.2	O-Ring	O-Ring	28.81	Guarnizione testa	Head gasket
00.21	O-Ring	O-Ring	30.85	Pistone	Piston
00.48	O-Ring	O-Ring	32.85	Ammortizzatore	Bumper
00.54	O-Ring	O-Ring	40.85	Valvola completa	Valve ass'y
01.46	O-Ring	O-Ring	43.12.7	Rondella	Washer
01.53	O-Ring	O-Ring	44.84	Guarnizione cilindro	Cylinder gasket
01.57	O-Ring	O-Ring	44.85	Ammortizzatore	Bumper
01.75	O-Ring	O-Ring	45.85	Distanziale	Spacer
02.48	O-Ring	O-Ring	50.85	Pulsante completo	Trigger valve ass'y
03.00	Dado	Nut	50.83.3	Comando a distanza	Remote fire valve
03.04.5	Vite	Screw	51.85	Boccola pulsante	Trigger valve housing
03.20	Vite	Screw	52.80	Supporto	Support
03.31	Vite	Screw	53.85	Pistone servovalvola	Valve piston
04.00	Dado	Nut	54.83	Pulsante	Trigger valve
04.26	Vite	Screw	55.85	Raccordo pulsante	Bush
04.45	Vite	Screw	64.85	Carter sicura	Safety Guard
05.00	Dado	Nut	64.86	Carter	Carter
05.12	Vite	Screw	67.81	Distanziale	Spacer
05.16	Vite	Screw	67.81.1	Distanziale	Spacer
05.20	Vite	Screw	69.78.5	Distanziale	Spacer
05.30	Vite	Screw	70.86	Supporto	Support
06.00.1	Dado	Nut	71.88	Reggicaricatore	Support
06.00.2	Dado	Nut	73.81	Perno	Pin
06.14	Vite	Screw	73.82	Perno	Pin
06.20	Vite	Screw	76.44.4	Rullo molla	Roller spring
06.25.2	Vite	Screw	80.85	Grilletto	Trigger
06.39	Vite	Screw	83.80	Rondella	Washer
07.25	Chiave esagonale	Hex. bar wrench	83.81	Piastrina	Plate
07.30	Chiave esagonale	Hex. bar wrench	83.82.5	Piastrina	Plate
07.40	Chiave esagonale	Hex. bar wrench	86.80	Boccola	Bush
07.50	Chiave esagonale	Hex. bar wrench	91.85	Molla	Spring
09.16	Rondella	Washer	91.86	Molla	Spring
09.21	Anello elastico	Elastic ring	92.80	Molla	Spring
10.55	O-Ring	O-Ring	93.85	Molla	Spring
13.14.2	Spina	Pin	23.80.75X	Battente	Driver
17.09	Tappo	Inlet cap	52.85.75	Caricatore	Magazine
17.27	Tappo	Inlet cap	62.80.74	Nasello	Nose
17.30.5	Attacco	Connection	72.85.75	Spingipunto	Pusher
18.04	Pistoncino	Piston	81.80.00	Flangia	Flange
21.85	Corpo	Body	92.80.75	Testina	Nose plate
22.85	Testa	Head	D01	Bocchetta olio	Oiler
25.81	Deflettore	Deflector	D02	Occhiali protettivi	Protective goggles
25.84.2	Piastra superiore	Top plate			

1016.50 CL4-42

cod. 1858650-42

Indice di modifica
Upgrade number

5



00.78.4

Dotazioni - Equipment - Ausstattung - Outillage - Dotaciones - Εξοπλισμός
Dotações - Uitrusting - Donanımlar

