

Manuale d'uso, manutenzione e parti di ricambio
Manual for use, maintenance and spare parts
Bedienungs- und Wartungshandbuch sowie Ersatzteilleiste
Mode d'emploi, de maintenance et pièces de rechange
Manual de uso, mantenimiento y recambios
Εγχειρίδιο χρήσης, συντήρησης και ανταλλακτικών
Manual de uso, manutenção e peças sobresselentes
Handleiding voor gebruik, onderhoud en wisselstukken
Kullanım, bakım ve yedek parça kılavuzu

Parte 2
Part 2
Teil 2
Partie 2
Part 2
Μέρος 2
Parte 2
Deel 2
Kısım 2



CN21.32 CD1

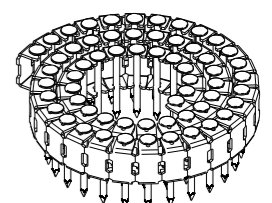
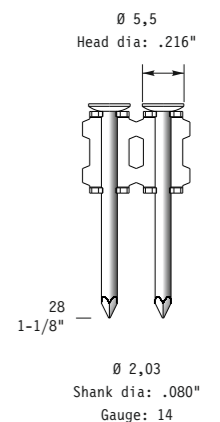
cod. 195MCN2132CD1



Dati tecnici Technical data Technische Daten	Caractéristiques techniques Datos técnicos Τεχνικά χαρακτηριστικά	Dados técnicos Technische gegevens Teknik veriler
---	--	--

Misure impiegabili mm Lengths mm Verwendbare Nagellänge mm	Dimensions utiles mm Medidas de longitud mm Μήκος Αναλωσίμου - mm	Medidas utilizáveis mm Toepasbare afmetingen mm Boy mm	16 ÷ 32
Capacità caricatore n° punti Magazine capacity Magazinkapazität Nägel	Capacité chargeur n° de points Capacidad cargador n° puntos Δωνατοτητα γεμιστερα	Capacidade carregador n° pontos Capaciteit magazijn in aantal spijkers Dergi kapasitesi	150
Pressione d'esercizio Operating pressure Betriebsdruck	Pression d'exercice Presión de servicio Πίεση λειτουργίας	Pressão de serviço Werkdruk Çalışma basıncı	5 ÷ 7 bar 70 ÷ 100 psi
Consumo aria litri/colpo Air consumption litres/stroke Luftverbrauch Liter/Schuss	Consommation d'air litres/coup Consumo aire litros/golpe Κατανάλωση αέρα - λίτρα/βολή	Consumo ar litros/disparo Luchtverbruik liter/slag Litre/vuruş hava tüketimi	0,73
Peso kg Weight kg Gewicht kg	Poids kg Peso kg Βάρος - kg	Peso kg Gewicht in kg Ağırlık kg	1,15
Dimensioni mm Dimensions mm Abmessungen mm	Dimensions mm Dimensiones mm Διαστάσεις mm	Dimensões mm Afmetingen mm Boyutlar mm	255x100x238 (LxWxH)
Potenza sonora emessa Sound power emitted Emittierte Schallleistung	Puissance sonore émise Potencia sonora emitida Εκπεμπόμενη ηχητική ισχύς	Potência sonora emitida Geëmitteerd geluidsvermogen Çıkan ses gücü (ses desibeli)	92.1 dB(A) (K = 4 dB)

CNP21



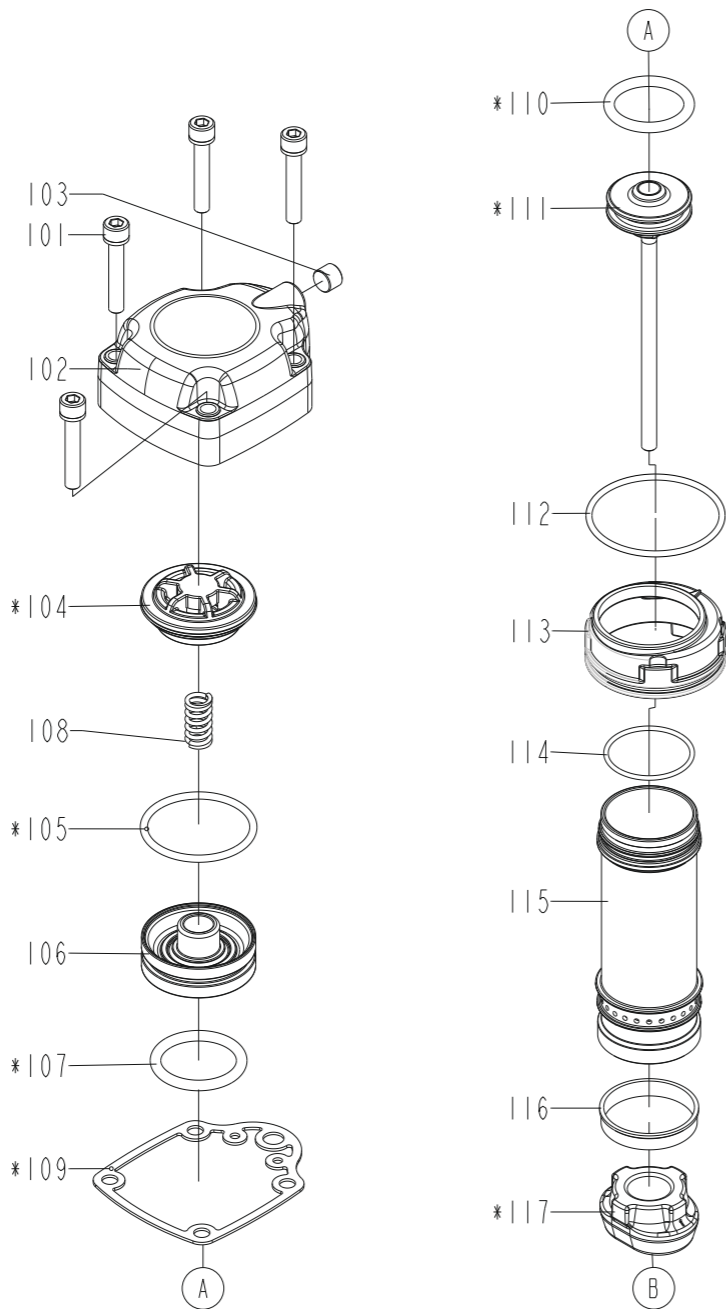
**DO NOT
HANDHELD
THIS TOOL**



195MCN2132CD1_CN2132CD1_A1_rev20_09/01/2023 DV

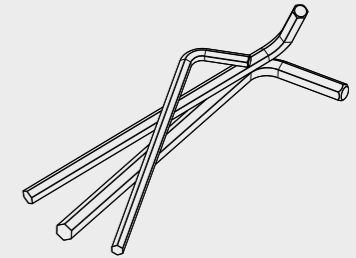
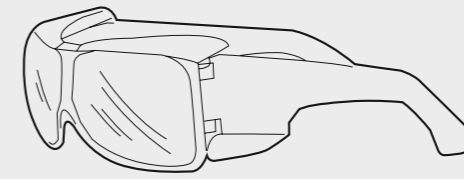
Ref. No. Part No. Description

101	2MCN2132-A101	Bolt assy
102	2MCN2132-A102	Cap
103	2MCN2132-A103	Hex. Soc. Hd. Screw
104	2MCN2132-A104	Collar
105	2MCN2132-A105	O-Ring
106	2MCN2132-A106	Hd. Valve Piston
107	2MCN2132-A107	O-Ring
108	2MCN2132-A108	Compression Spring
109	2MCN2132-A109	Cylinder Cap Seal
110	2MCN2132-A110	O-Ring
111	2MCN2132A511	Driver unit
112	2MCN2132-A112	O-Ring
113	2MCN2132-A113	Cylinder spacer
114	2MCN2132-A114	O-Ring
115	2MCN2132-A115	Cylinder
116	2MCN2132-A116	Cylinder ring
117	2MCN2132-A117	Bumper
201	2MCN2132-A201	Spring
202	2MCN3165-A209	O-Ring
202A	2MCN2132-A202A	O-Ring
203	2MCN2132-A203	Plunger
204	2MCN2132-A204	Cap
205	2MCN2132-A205	O-Ring
208	2MCN2132-A208	Spring pin
209	2MCN2132-A209	Spring pin
301	2MCN2132-A301	Gun Body Unit
302	2MCN2132-A302	O-Ring
303	2MCN2132-A303	Link rod
304	2MCN2132-A304	Gasket
306	2MCN2132-A306	Gasket
307	2MCN2132-A307	Spring retainer
308	2MCN2132-A308	Rubber pad
309	2MCN2132-A309	End cap
310	2MCN3165-A107	Hex. Soc. Hd. Bolt
311	2MCN2132-A311	Muffler
312	2MCN2132-A312	Guide plate
313	2MCN3165-A304	Dusty cover
314	2MCN3165-A305	Air plug
401	2MCN2132-A401	O-Ring
403	2MCN3390-A402	O-Ring
404	2MCN3165-A206	O-Ring
405	2MCN2132-A405	Feed piston
406	2MCN2132-A406	O-Ring
407	2MCN2132-A407	Feed piston spring
408	2MCN2132-A408	Feed bumper
409	2MCN2132-A409	Feed piston cap
410	2MCN2132-A410	C-ring
411	2MCN2132-A411	Feed finger
412	2MCN2132-A412	Spring pin
413	2MCN2132-A413	Door
414	2MCN2132-A414	Latch spring
415	2MCN2132-A415	Door latch
416	2MCN2132-A416	Spiral pins
417	2MCN2132-A417	Door shaft pin
418	2MCN2132-A418	Magazine case
419	2MCN2132-A419	Magazine cover
420	2MCN2132-A420	Pin
421	2MCN2132-A421	Hex. Soc. Hd. Bolt
422	2MCN2132-A422	Flat washer
423	2MCN2132-A423	Bolt cap
425	2MCN2132-A425	Adjust axie
427	2MCN2132-A427	Safety
428	2MCN2132-A428	Safety Spring
429	2MCN2132-A429	Safety guide
430	2MCN2132-A430	O-Ring
432	2MCN2132-A432	Bolt Assy
435	2MCN2132-A435	O-Ring
500	2MCN2132A500	Nose piece
501	2MCN2132A501	Spacer
502	2MCN2132A502	Jaw
503	2MCN2132A503	Safety Plate
504	2MCN2132A504	Safety A unit
509	2MCN2132A509	Spacer
510	13.66	Pin



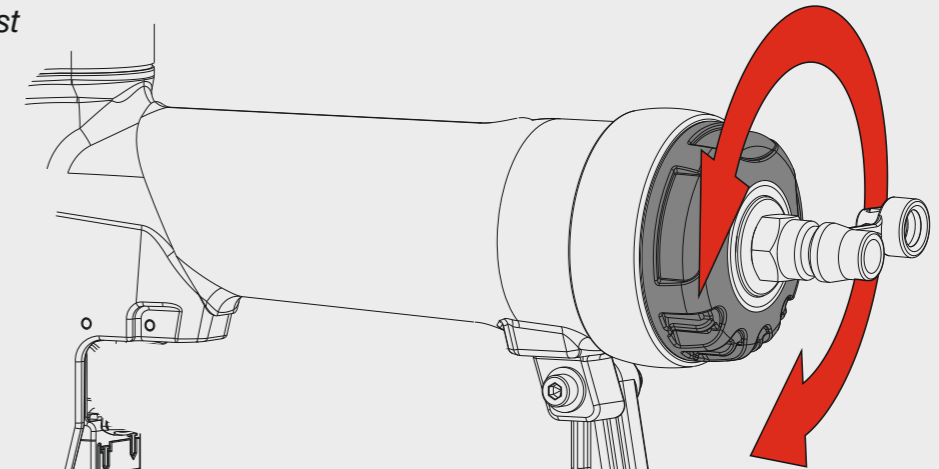
513	04.20	Screw
514	06.05.4	Screw
515	39.13	Cushion
516	92.04	Spring
520	2MCN2132A520	Remote Fire Valves
521	2MCN2132A521	Cylinder
522	03.00	Nut
523	03.45	Screw
524	81.26	Piston
525	17.30.5	Air Plug

Dotazioni - Equipment - Ausstattung - Outillage - Dotaciones - Εξοπλισμός
Dotações - Uitrusting - Donanımlar

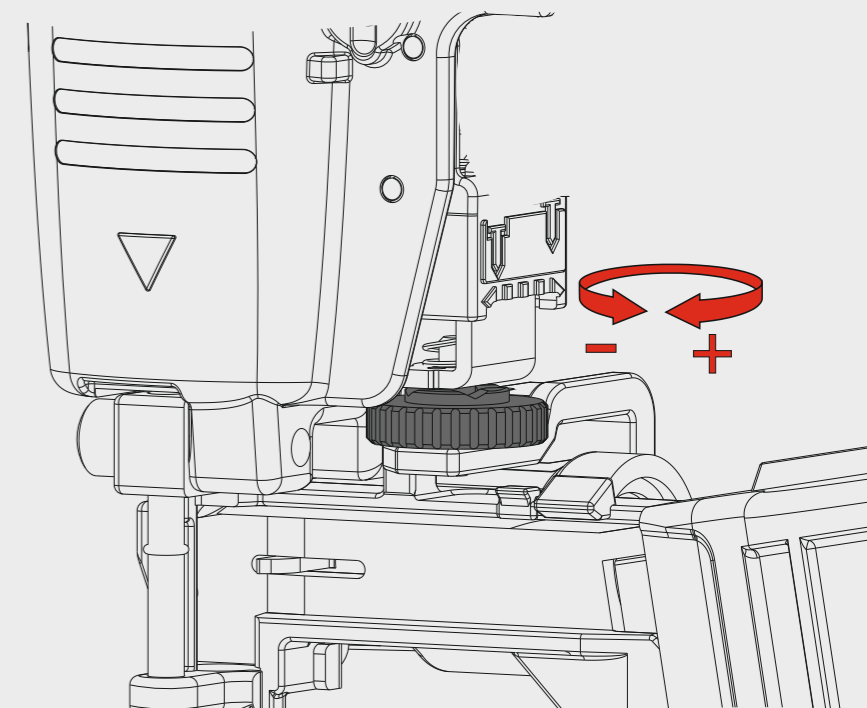
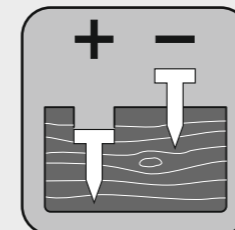


Caratteristiche - Features - Merkmale - Caractéristiques - Características - Χαρακτηριστικά - Características - Kenmerken - Özellikler

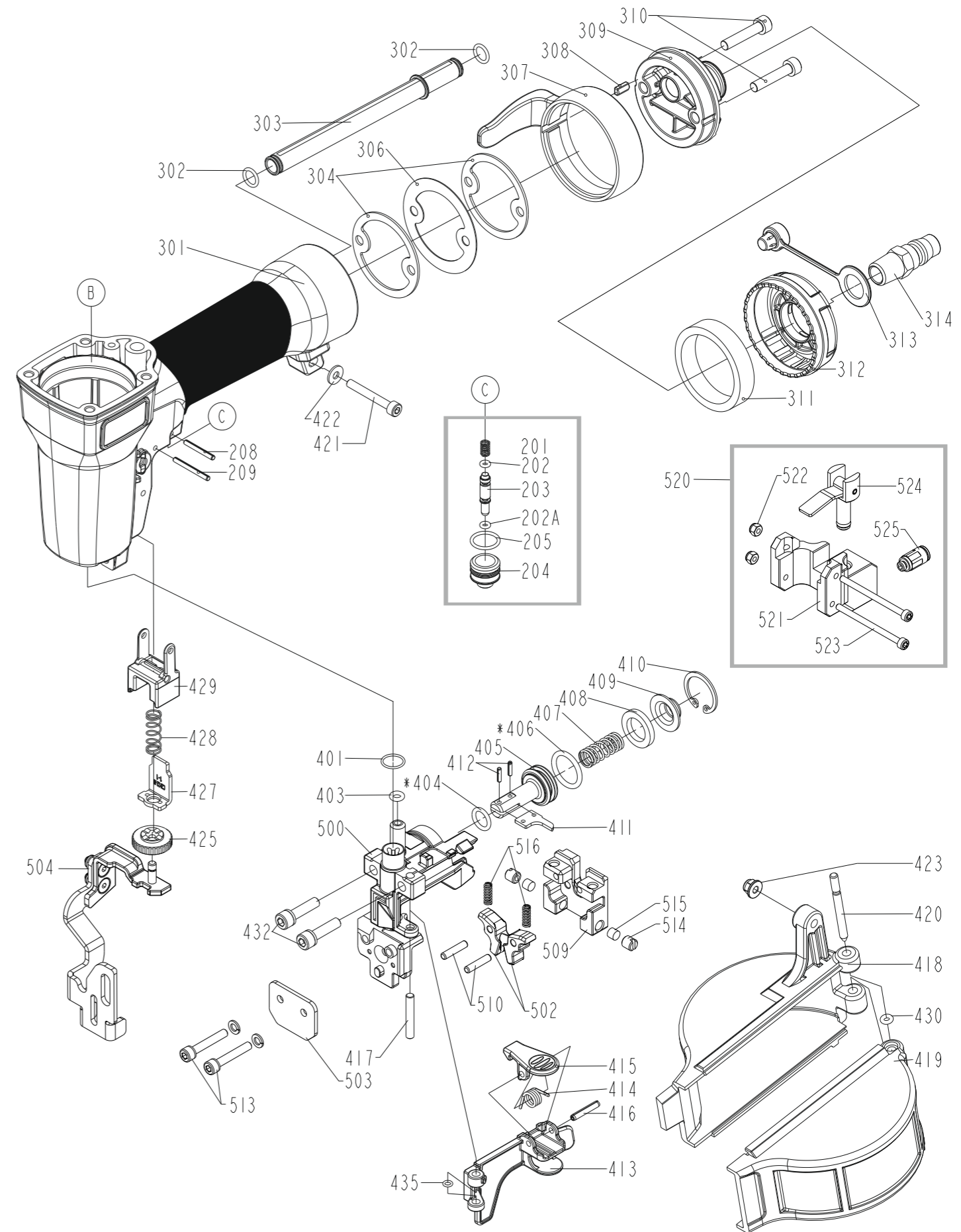
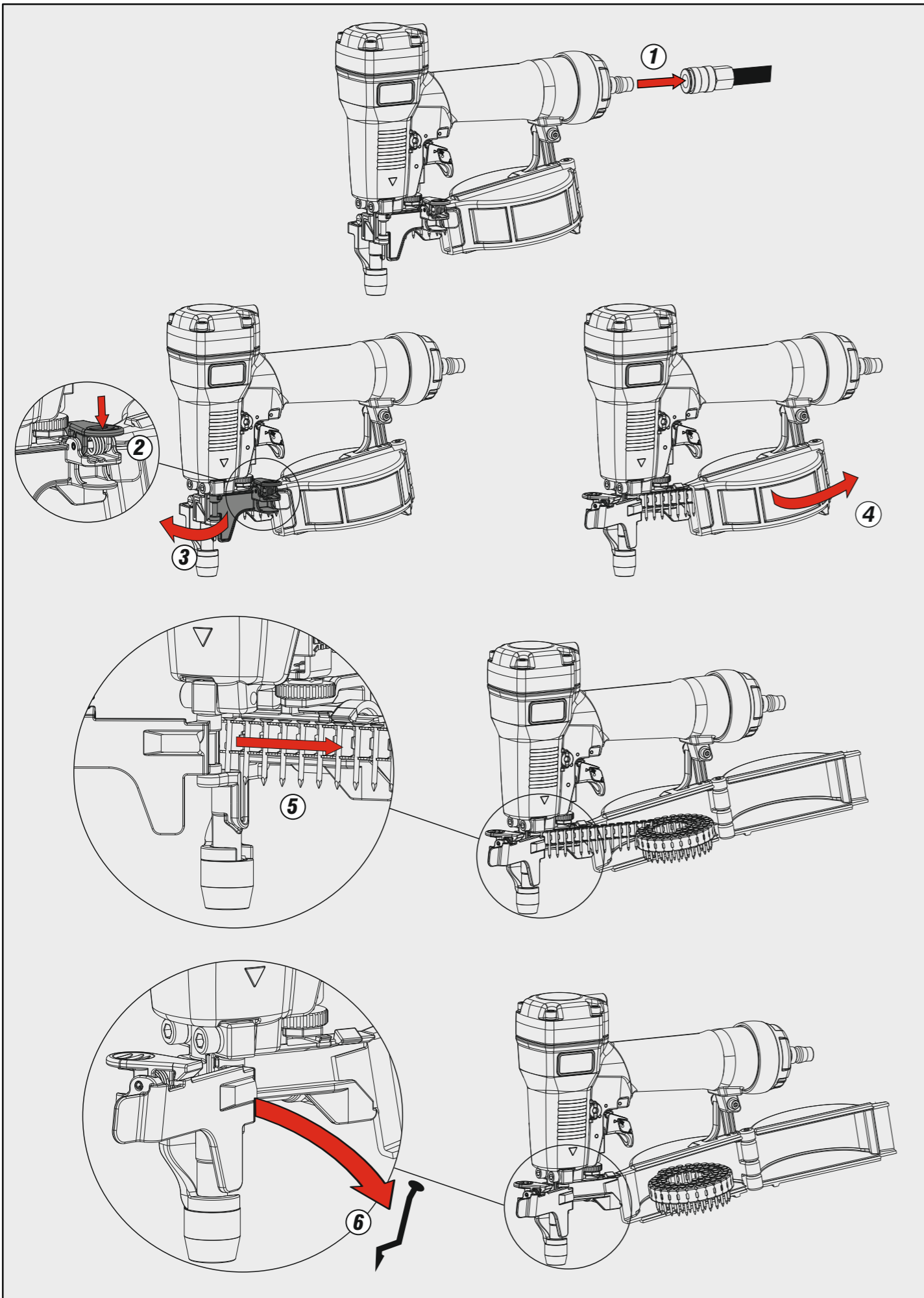
Scarico orientabile a 360°
360° adjustable exhaust



Regolazione di profondità - Depth adjustment - Tiefeneinstellung - Réglage des dimensions - Réglage des dimensions
Ρύθμιση βάθους - Regulação de profundidade - Diepte afstelling - Derinlik ayarı



Parti di ricambio - Spare parts - Ersatzteile - Pièces de rechange - Recambios
Ανταλλακτικά - Partes sobresselentes - Wisselstukken - Yedek parçalar

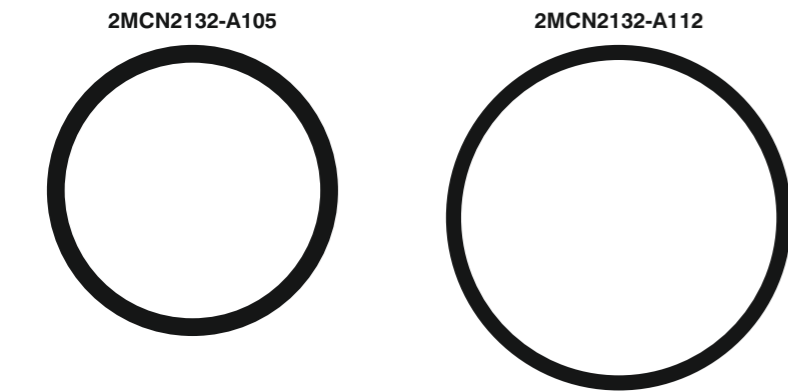
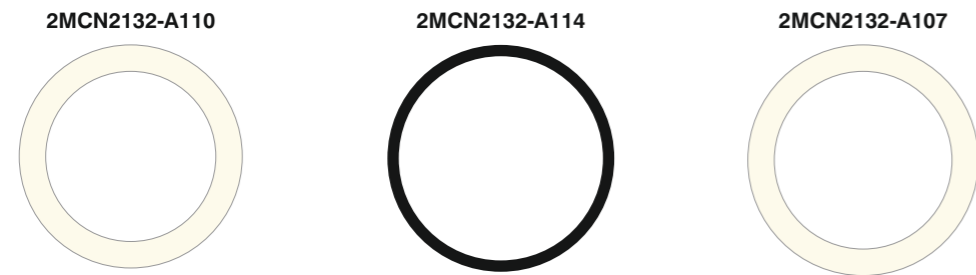


CN21.32 CD1

cod. 195MCN2132CD1

Indice di modifica
 Upgrade number

A1



Collegamento per valvola 3/2 NC
 Connection for valve 3/2 NC

