



<b>Manuale d'uso, manutenzione e parti di ricambio</b>	<b>Parte 2</b>
<b>Manual for use, maintenance and spare parts</b>	<b>Part 2</b>
<b>Bedienungs- und Wartungshandbuch sowie Ersatzteilliste</b>	<b>Teil 2</b>
<b>Mode d'emploi, de maintenance et pièces de rechange</b>	<b>Partie 2</b>
<b>Manual de uso, mantenimiento y recambios</b>	<b>Part 2</b>
<b>Εγχειρίδιο χρήσης, συντήρησης και ανταλλακτικών</b>	<b>Μέρος 2</b>
<b>Manual de uso, manutenção e peças sobresselentes</b>	<b>Parte 2</b>
<b>Handleiding voor gebruik, onderhoud en wisselstukken</b>	<b>Deel 2</b>
<b>Kullanım, bakım ve yedek parça kılavuzu</b>	<b>Kısım 2</b>

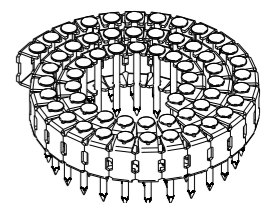
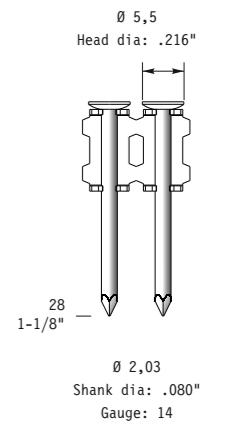


# CN21.32 D1

cod. 195MCN2132D1

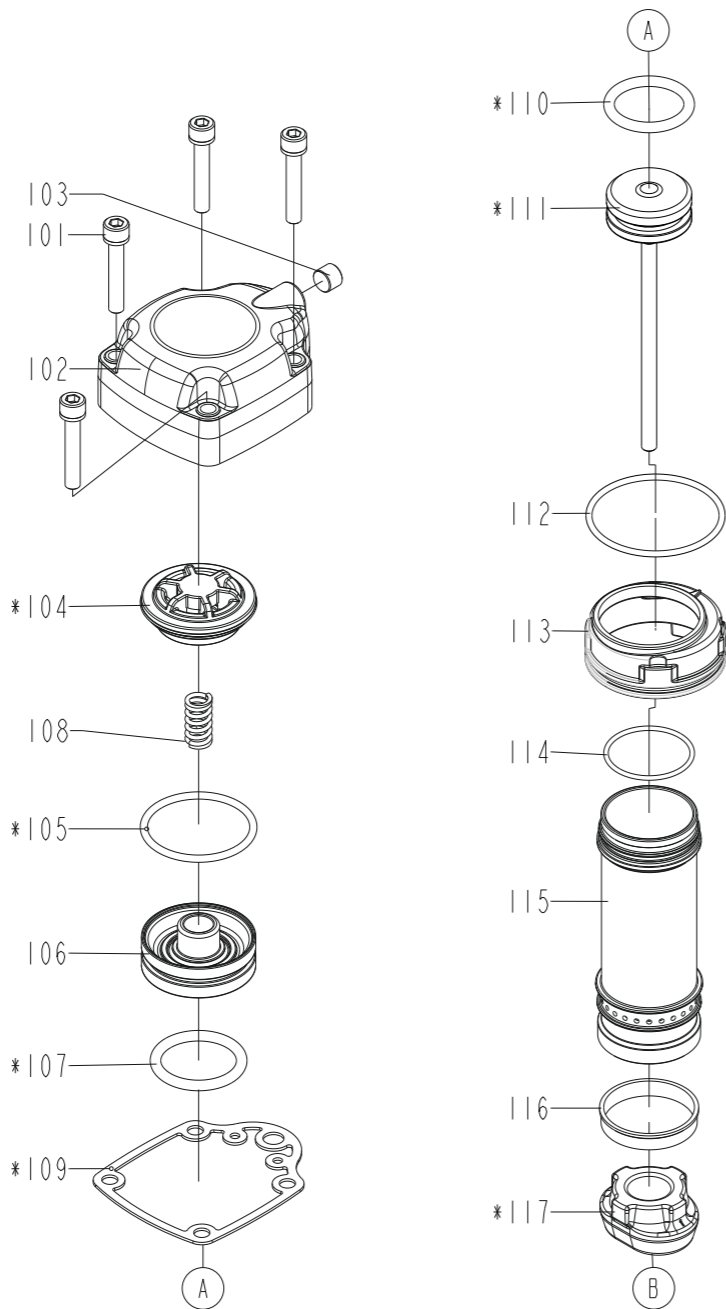
<b>Dati tecnici</b> Technical data Technische Daten	Caractéristiques techniques Datos técnicos Τεχνικά χαρακτηριστικά	Dados técnicos Technische gegevens Teknik veriler	
<b>Misure impiegabili mm</b> Lengths mm Verwendbare Nagellänge mm	Dimensions utiles mm Medidas de longitud mm Μήκος Αναλωσίμου - mm	Medidas utilizáveis mm Toepasbare afmetingen mm Boy mm	<b>16 ÷ 32</b>
<b>Capacità caricatore n° punti</b> Magazine capacity Magazinkapazität Nägel	Capacité chargeur n° de points Capacidad cargador n° puntos Δωνατοτητα γεμιστερα	Capacidade carregador n° pontos Capaciteit magazijn in aantal spijkers Dergi kapasitesi	<b>150</b>
<b>Pressione d'esercizio</b> Operating pressure Betriebsdruck	Pression d'exercice Presión de servicio Πίεση λειτουργίας	Pressão de serviço Werkdruk Çalışma basıncı	<b>5 ÷ 7 bar</b> <b>70 ÷ 100 psi</b>
<b>Consumo aria litri/colpo</b> Air consumption litres/stroke Luftverbrauch Liter/Schuss	Consommation d'air litres/coup Consumo aire litros/golpe Κατανάλωση αέρα - λίτρα/βολή	Consumo ar litros/disparo Luchtverbruik liter/slag Litre/vuruş hava tüketimi	<b>0,73</b>
<b>Peso kg</b> Weight kg Gewicht kg	Poids kg Peso kg Βάρος - kg	Peso kg Gewicht in kg Ağırlık kg	<b>1,15</b>
<b>Dimensioni mm</b> Dimensions mm Abmessungen mm	Dimensions mm Dimensiones mm Διαστάσεις mm	Dimensões mm Afmetingen mm Boyutlar mm	<b>274x100x238</b> (LxWxH)
<b>UNI EN 12549 :2009</b> <b>UNI EN ISO 4871 :2009</b>	<b>Pressione sonora in pos. operatore</b> Sound pressure in operator's position Schalldruck am Arbeitsplatz	Pression sonore poste Opérateur Presión sonora en la pos. del operador Ηχητική πίεση στη θέση του Χειριστή	<b>79,1 dB(A)</b> (K= 4 dB)
<b>UNI EN 12549 :2009</b> <b>UNI EN ISO 3746 :2011</b> <b>UNI EN ISO 4871 :2009</b>	<b>Potenza sonora emessa</b> Sound power emitted Emittierte Schalleistung	Puissance sonore émise Potencia sonora emitida Εκπεμπόμενη ηχητική ισχύς	<b>92,1 dB(A)</b>
<b>UNI CEN ISO/TS 8662-11 :2006</b> <b>UNI EN ISO 5349-2 :2004</b> <b>UNI EN 12096 :1999</b>	<b>Emissione vibratoria sull'impugnatura</b> Vibratory emissions on handle Vibrationsemission am Griff	Émission vibratoire sur la prise en main Emisión de vibraciones en la empuñadura Εκπεμπόμενες δονήσεις στη λαβή	<b>1,89 m/s<sup>2</sup></b>

## CNP21

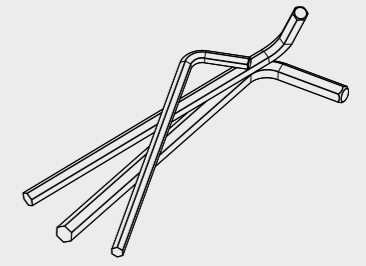
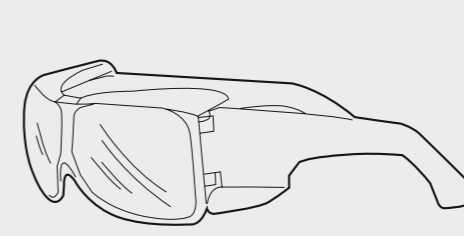


Ref. No. Part No. Description

101	2MCN2132-A101	Bolt assy
102	2MCN2132-A102	Cap
103	2MCN2132-A103	Hex. Soc. Hd. Screw
104	2MCN2132-A104	Collar
105	2MCN2132-A105	O-Ring
106	2MCN2132-A106	Hd. Valve Piston
107	2MCN2132-A107	O-Ring
108	2MCN2132-A108	Compression Spring
109	2MCN2132-A109	Cylinder Cap Seal
110	2MCN2132-A110	O-Ring
111	2MCN2132A511	Driver unit
112	2MCN2132-A112	O-Ring
113	2MCN2132-A113	Cylinder spacer
114	2MCN2132-A114	O-Ring
115	2MCN2132-A115	Cylinder
116	2MCN2132-A116	Cylinder ring
117	2MCN2132-A117	Bumper
201	2MCN2132-A201	Spring
202	2MCN3165-A209	O-Ring
202A	2MCN2132-A202A	O-Ring
203	2MCN2132-A203	Plunger
204	2MCN2132-A204	Cap
205	2MCN2132-A205	O-Ring
206	2MCN2132-A206	Spring
207	2MCN2132-A207	Trigger Unit
208	2MCN2132-A208	Spring pin
209	2MCN2132-A209	Spring pin
210	2MA34100-A442	Spring pin
301	2MCN2132-A301	Gun Body Unit
302	2MCN2132-A302	O-Ring
303	2MCN2132-A303	Link rod
304	2MCN2132-A304	Gasket
306	2MCN2132-A306	Gasket
307	2MCN2132-A307	Spring retainer
308	2MCN2132-A308	Rubber pad
309	2MCN2132-A309	End cap
310	2MCN3165-A107	Hex. Soc. Hd. Bolt
311	2MCN2132-A311	Muffler
312	2MCN2132-A312	Guide plate
313	2MCN3165-A304	Dusty cover
314	2MCN3165-A305	Air plug
401	2MCN2132-A401	O-Ring
403	2MCN3390-A402	O-Ring
404	2MCN3165-A206	O-Ring
405	2MCN2132-A405	Feed piston
406	2MCN2132-A406	O-Ring
407	2MCN2132-A407	Feed piston spring
408	2MCN2132-A408	Feed Bumper
409	2MCN2132-A409	Feed piston cap
410	2MCN2132-A410	C-ring
411	2MCN2132-A411	Feed finger
412	2MCN2132-A412	Spring pin
413	2MCN2132-A413	Door
414	2MCN2132-A414	Latch spring
415	2MCN2132-A415	Door latch
416	2MCN2132-A416	Spiral pins
417	2MCN2132-A417	Door shaft pin
418	2MCN2132-A418	Magazine case
419	2MCN2132-A419	Magazine cover
420	2MCN2132-A420	Pin
421	2MCN2132-A421	Hex. Soc. Hd. Bolt
422	2MCN2132-A422	Flat washer
423	2MCN2132-A423	Bolt cap
425	2MCN2132-A425	Adjust axie
427	2MCN2132-A427	Safety
428	2MCN2132-A428	Safety Spring
429	2MCN2132-A429	Safety guide
430	2MCN2132-A430	O-Ring
432	2MCN2132-A432	Bolt Assy
435	2MCN2132-A435	O-Ring
500	2MCN2132A500	Nose piece
501	2MCN2132A501	Spacer
502	2MCN2132A502	Jaw
503	2MCN2132A503	Safety Plate
504	2MCN2132A504	Safety A unit
508	2MCN2132A508	Backing
510	13.66	Pin
512	09.14	Washer
513	04.25	Screw
514	06.05.4	Screw
515	39.13	Cushion
516	92.04	Spring

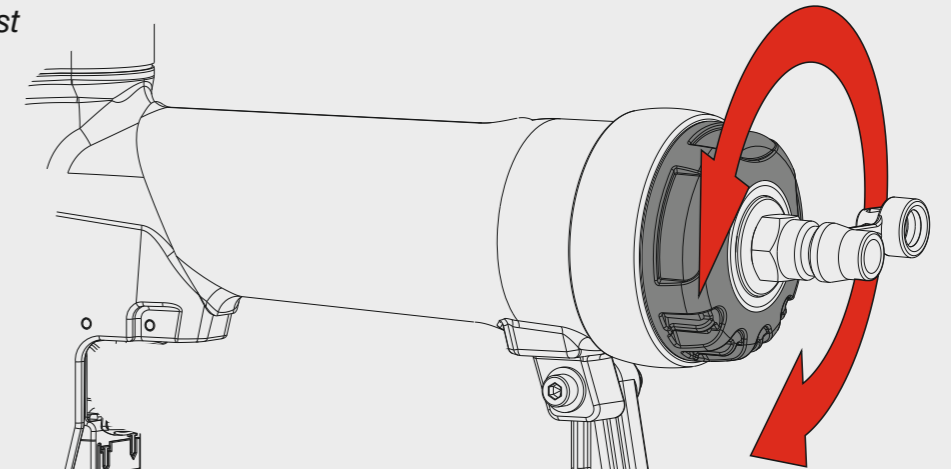


Dotazioni - Equipment - Ausstattung - Outillage - Dotaciones - Εξοπλισμός  
Dotações - Uitrusting - Donanımlar

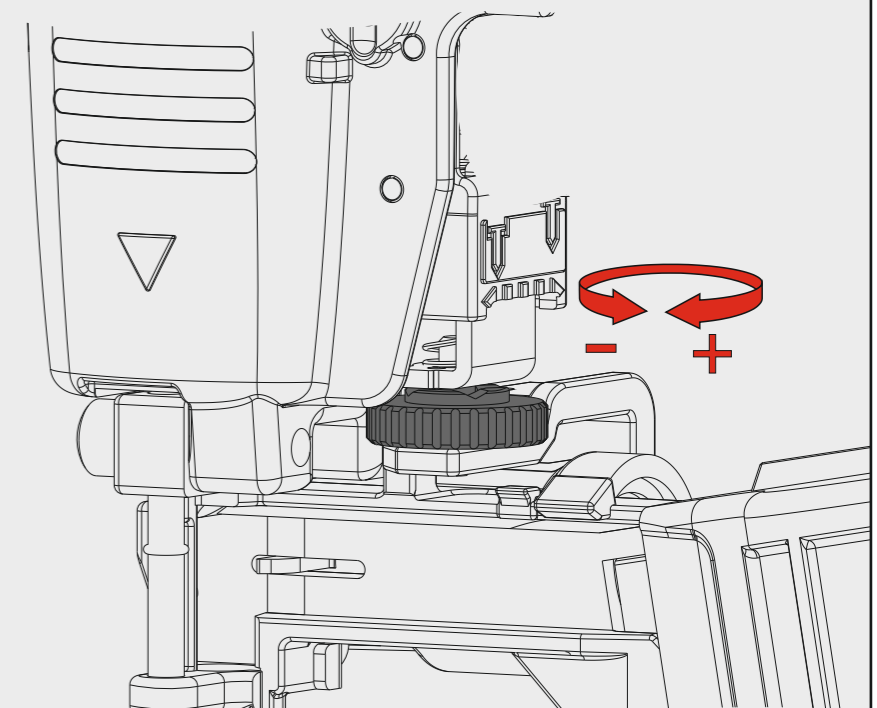
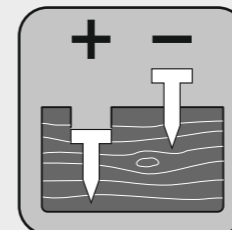


Caratteristiche - Features - Merkmale - Caractéristiques - Características  
Χαρακτηριστικά - Características - Kenmerken - Özellikler

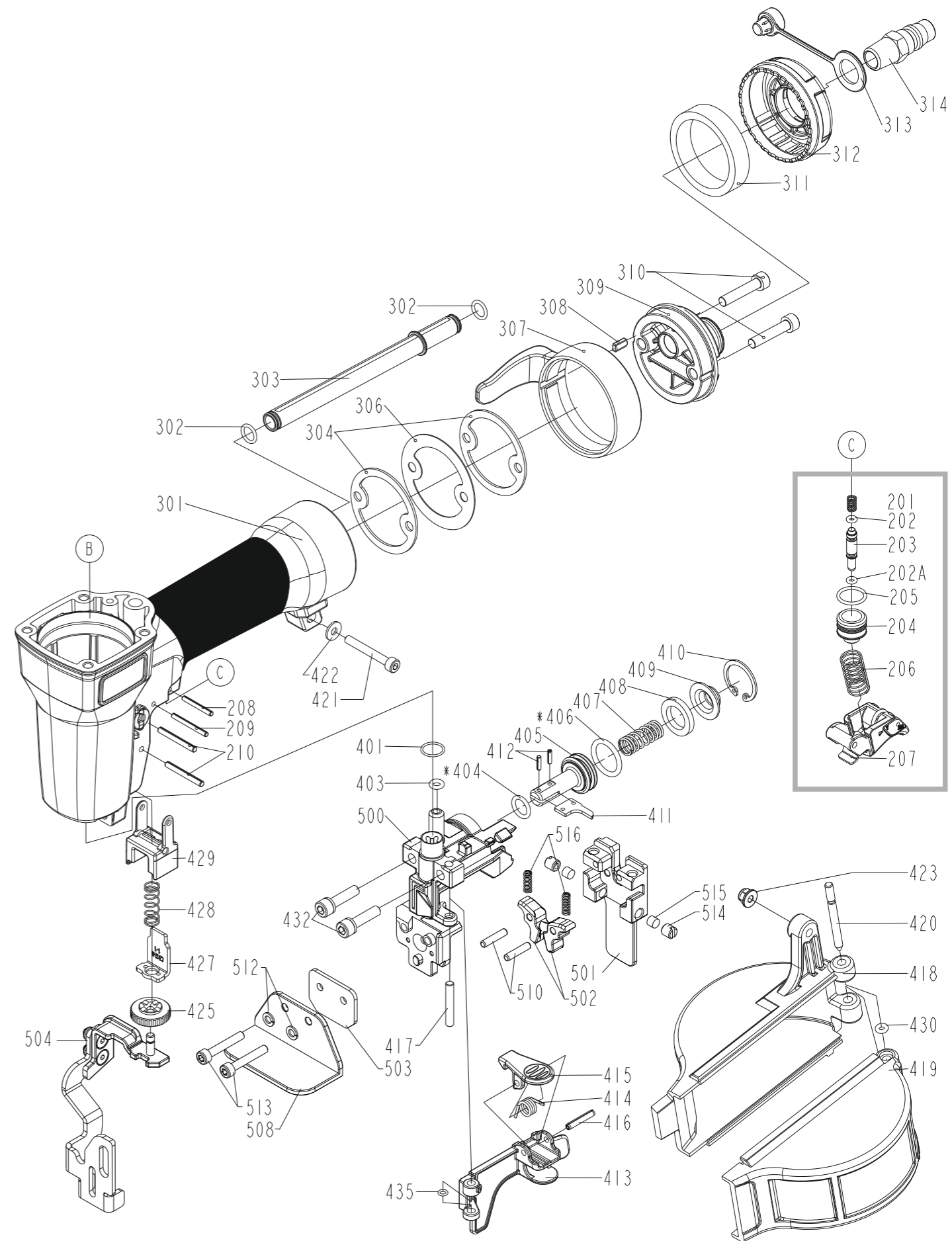
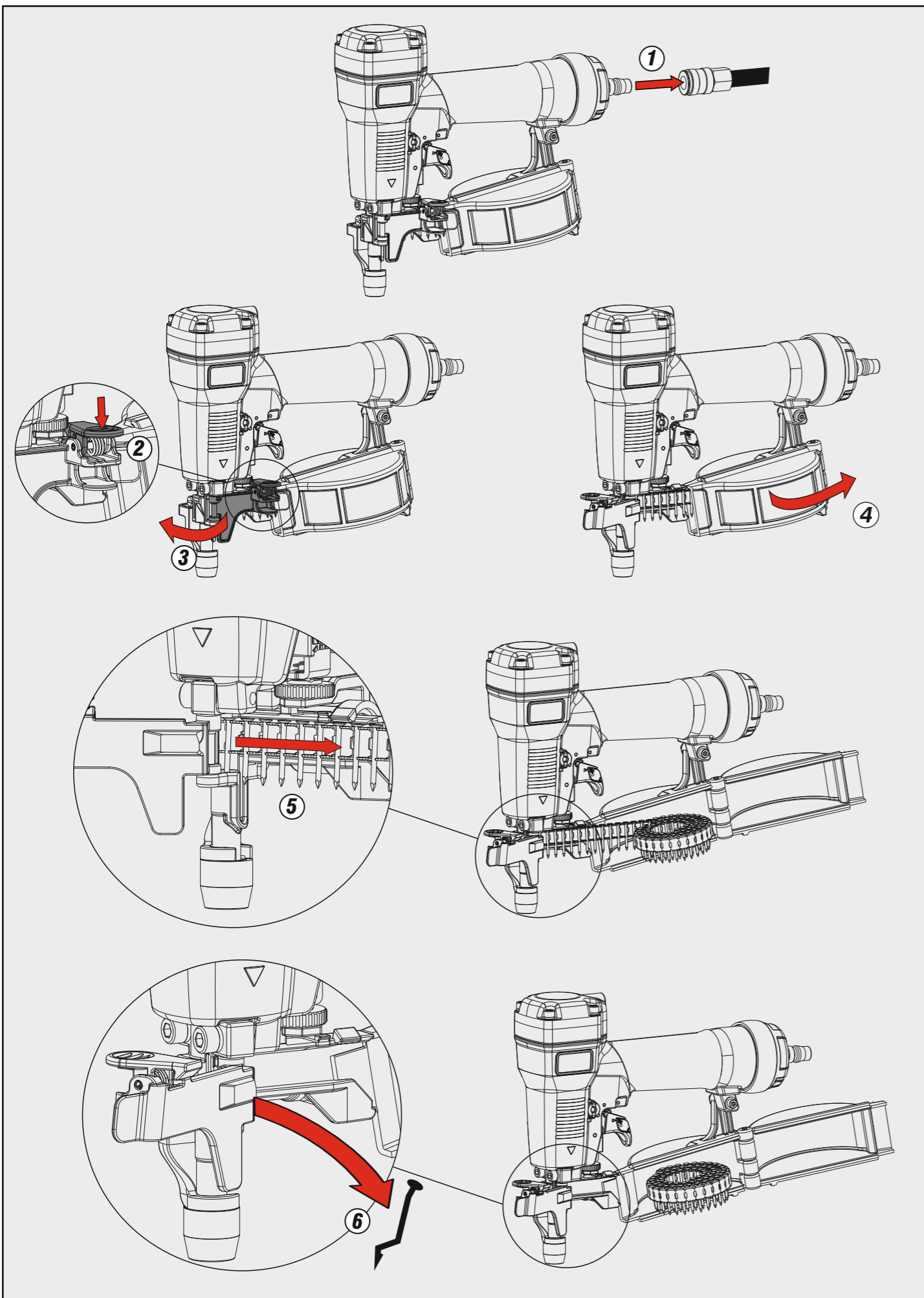
Scarico orientabile a 360°  
360° adjustable exhaust



Regolazione di profondità - Depth adjustment - Tiefeneinstellung - Réglage des dimensions  
Réglage des dimensions - Ρύθμιση βάθους - Regulação de profundidade - Diepte afstelling - Derinlik ayarı



Disincerramento - Jam clearing - Staubeseitigung - Décoincement - Desatascamiento - Απεμπλοκή  
 Desencravamento - Deblokkering bij vastlopen - Sıkışma giderme



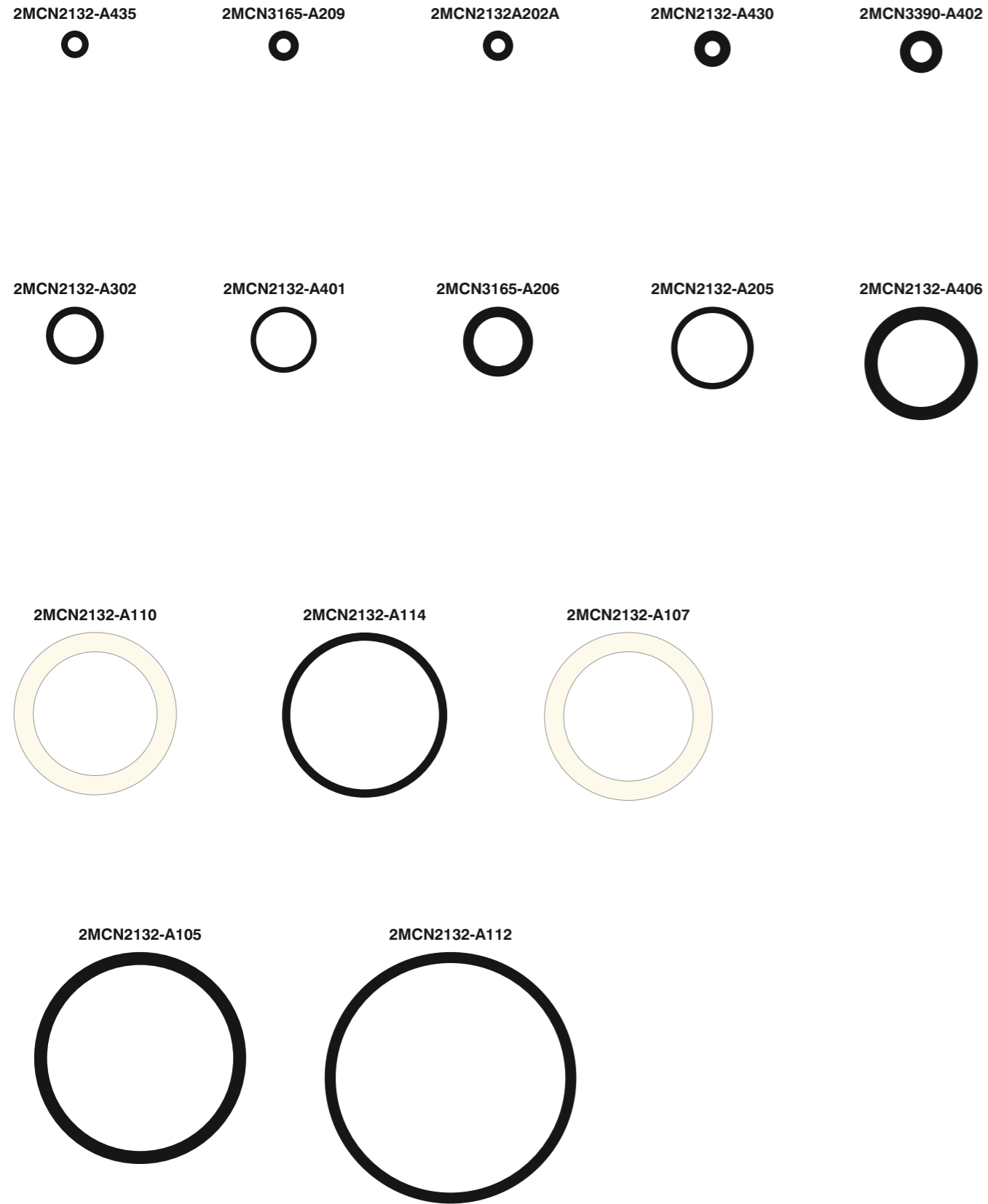
CN21.32 D1

cod. 195MCN2132D1

Indice di modifica  
 Upgrade number

A1





**2MCN2132-K100**

