

CNW21

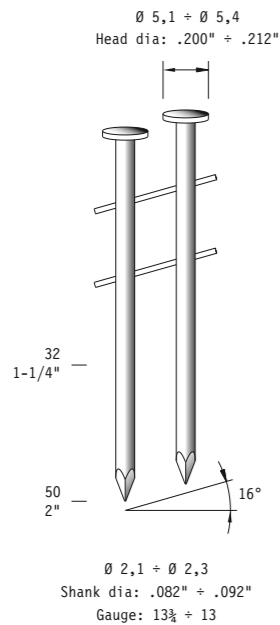


CONICAL

CNW203



FLAT



CNP203

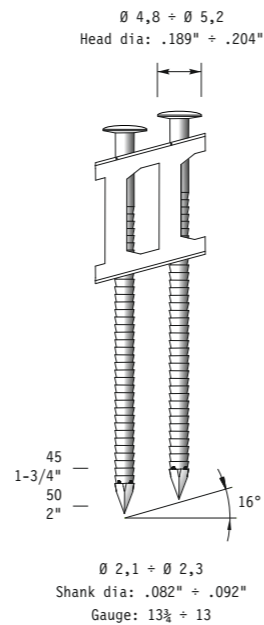


FLAT

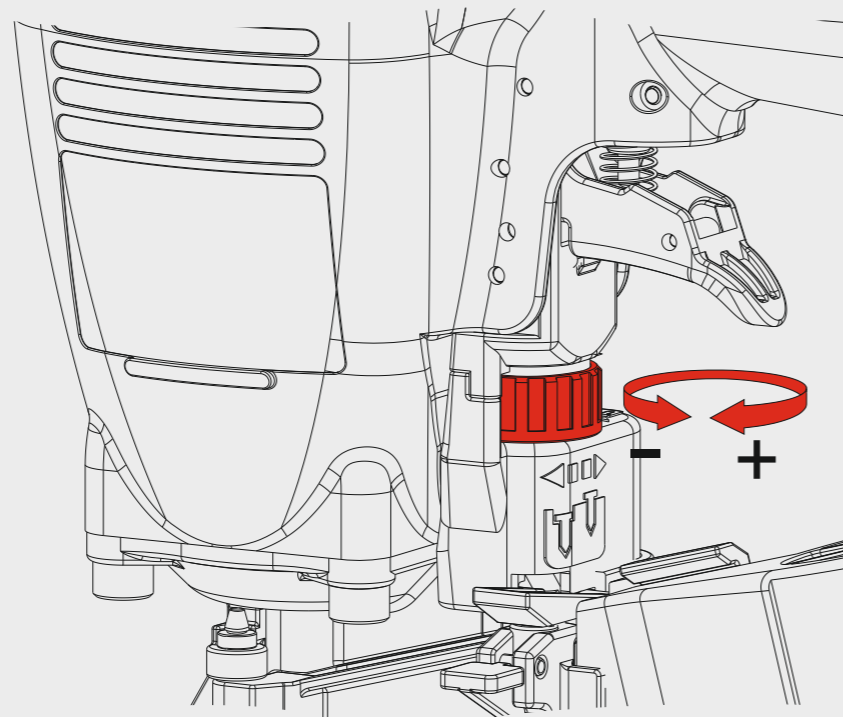
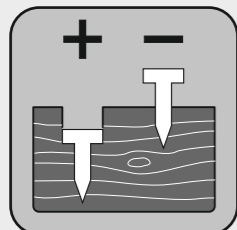
CNP23



FLAT



Regolazione di profondità - Depth adjustment - Tiefeneinstellung - Réglage des dimensions - Réglage des dimensions
Ρύθμιση βάθους - Regulação de profundidade - Diepte afstelling - Derinlik ayarı



Manuale d'uso, manutenzione e parti di ricambio
Manual for use, maintenance and spare parts
Bedienungs- und Wartungshandbuch sowie Ersatzteilleiste
Mode d'emploi, de maintenance et pièces de rechange
Manual de uso, mantenimiento y recambios
Εγχειρίδιο χρήσης, συντήρησης και ανταλλακτικών
Manual de uso, manutenção e peças sobresselentes
Handleiding voor gebruik, onderhoud en wisselstukken
Kullanım, bakım ve yedek parça kılavuzu

Parte 2
Part 2
Teil 2
Partie 2
Part 2
Μέρος 2
Parte 2
Deel 2
Kısım 2



CN25.50

cod. 195MCN2550-C1

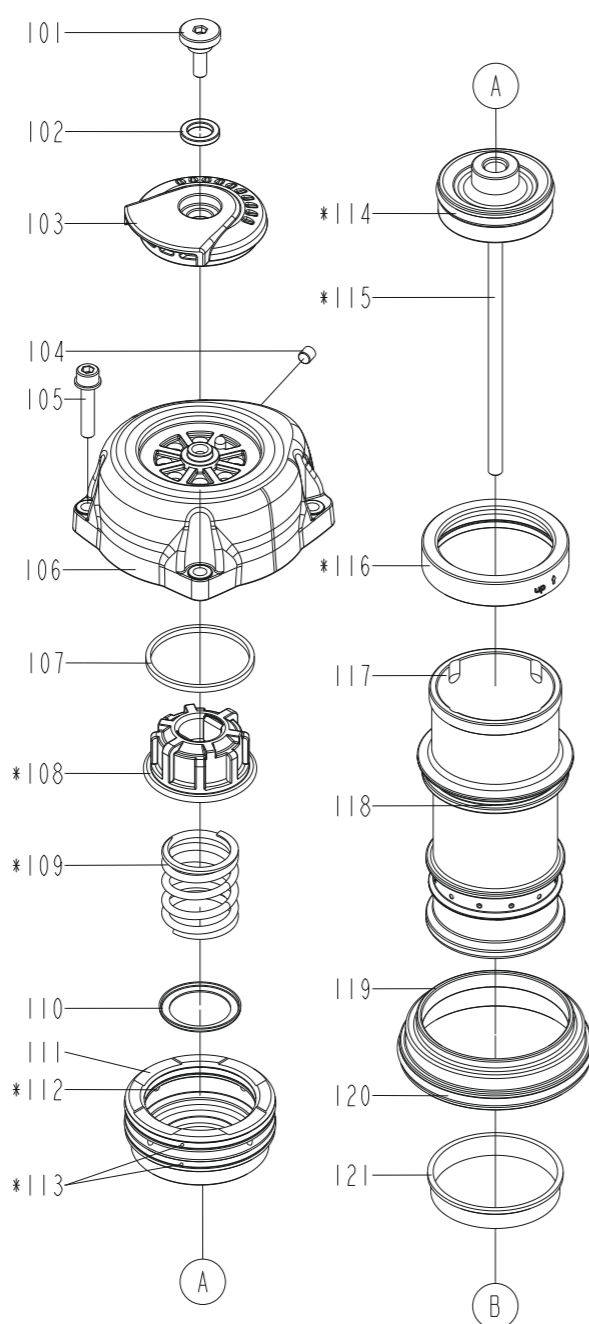


Warning: Please read the instructions and warnings for this tool carefully before use. Failure to do so could lead to serious injury.

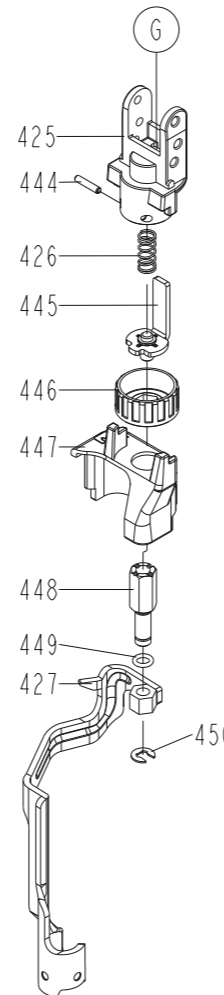
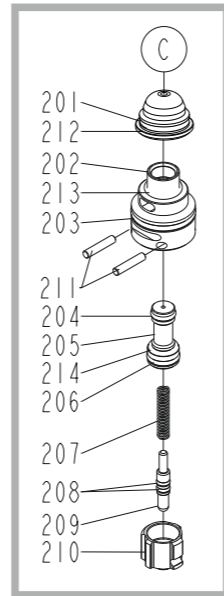
Dati tecnici Technical data Technische Daten	Caractéristiques techniques Datos técnicos Τεχνικά χαρακτηριστικά	Dados técnicos Technische gegevens Teknik veriler	
Misure impiegabili mm Lengths mm Verwendbare Nagellänge mm	Dimensions utiles mm Medidas de longitud mm Μήκος Αναλωσίμου - mm	Medidas utilizáveis mm Toepasbare afmetingen mm Boy mm	32 ÷ 50
Capacità caricatore n° punti Magazine capacity Magazinkapazität Nägel	Capacité chargeur n° de points Capacidad cargador n° puntos Δωανατοτητα γεμιστερα	Capacidade carregador n° pontos Capaciteit magazijn in aantal spijkers Dergi kapasitesi	300 ÷ 350
Pressione d'esercizio Operating pressure Betriebsdruck	Pression d'exercice Presión de servicio Πίεση λειτουργίας	Pressão de serviço Werkdruk Çalışma basıncı	5 ÷ 8 bar 70 ÷ 115 psi
Consumo aria litri/colpo Air consumption litres/stroke Luftverbrauch Liter/Schuss	Consommation d'air litres/coup Consumo aire litros/golpe Κατανάλωση αέρα - λίτρα/βολή	Consumo ar litros/disparo Luchtverbruik liter/slag Litre/vuruş hava tüketimi	1,65
Peso kg Weight kg Gewicht kg	Poids kg Peso kg Βάρος - kg	Peso kg Gewicht in kg Ağırlık kg	2,00
Dimensioni mm Dimensions mm Abmessungen mm	Dimensions mm Dimensiones mm Διαστάσεις mm	Dimensões mm Afmetingen mm Boyutlar mm	305x128x285 (LxWxH)
UNI EN 12549 :2009 UNI EN ISO 4871 :2009 Pressione sonora in pos. operatore Sound pressure in operator's position Schalldruck am Arbeitsplatz	Pression sonore poste Opérateur Presión sonora en la pos. del operador Ηχητική πίεση στη θέση του Χειριστή	Pressão sonora na posição Operador Geluidsdruk op de werkplaats Operatör pozisyonunda ses basıncı	91,9 dB(A) (K= 2,5 dB)
UNI EN 12549 :2009 UNI EN ISO 3746 :2011 UNI EN ISO 4871 :2009 Potenza sonora emessa Sound power emitted Emittierte Schallleistung	Puissance sonore émise Potencia sonora emitida Εκπεμπόμενη ηχητική ισχύς	Potência sonora emitida Geëmitteerd geluidsvermogen Çıkan ses gücü (ses desibel)	95,5 dB(A) (K= 2,5 dB)
UNI CEN ISO/TS 8662-11 :2006 UNI EN ISO 5349-2 :2004 UNI EN 12096 :1999 Emissione vibratoria sull'impugnatura Vibratory emissions on handle Vibrationsemission am Griff	Émission vibratoire sur la prise en main Emisión de vibraciones en la empuñadura Εκπεμπόμενες δονήσεις στη λαβή	Emissão vibratória na empunhadura Trillingsemissie op de handgreep Tutamak üzerinde vibrasyon emisyonları	2,74 m/s² (K= 1,37 m/s ³)

Ref. No. Part No. Description

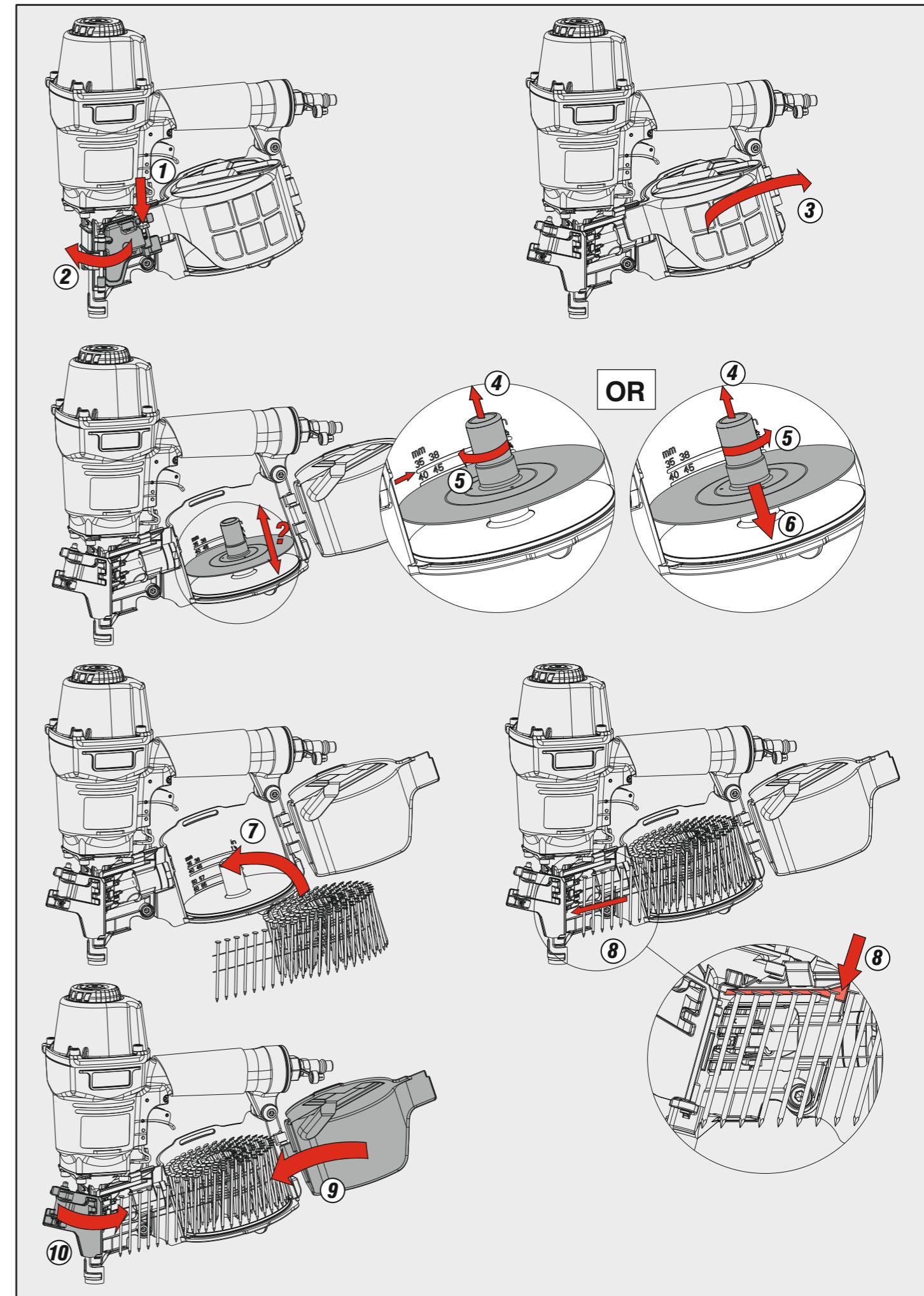
101	2MDB1564-A101	Deflector Bolt
102	2MDB1564-A102	Rubber Pad
103	2MCN2550-C103	Deflector
104	2MCN2970-A104	Hex. Soc. Hd. Bolt
105	2MCN2550-C105	Bolt
106	2MCN2550-C106	Cap
107	2MCN2357-A111	Washer Seal
108	2MCN2357-A112	Seal
109	2MM365-A110	Compression Spring
110	2MCN2357-A116	Washer
111	2MCN2550-C111	Hd. Valve Piston
112	2MCN2357-A115	O-Ring
113	2MCN2357-A114	O-Ring
114	2MCN3165-A117	O-Ring
115	2MCN2550-C115	Driver Unit
116	2MCN2357-A121	Collar
117	2MCN2550-C117	Cylinder
118	2MCN3165-A120	O-Ring
119	2MCN2550-C119	Cylinder Spacer
120	2MCN3165-A122	O-Ring
121	2MCN3165-A123	Cylinder Ring
122	2MCN3165-A124	Bumper
123	2MCN3165-A116	Packing
200	2MCN2970-A200	Trigger Valve Unit
201	2MCN2970-A201	O-Ring
202	2MCN2970-A202	Plunger Cap
203	2MCN2970-A203	O-Ring
204	2MCN3165-A205	O-Ring
205	2MCN2970-A205	Valve Plunger
206	2MCN3165-A206	O-Ring
207	2MCN2970-A207	Spring
208	2MCN2970-A208	O-Ring
209	2MCN2357-A209	Plunger
210	2MCN2970-A210	Trigger Valve Head
211	2MCN2970-A211	Pin
212	2MCN2550-C212	Cover Plunger
213	2MCN2970-A213	O-Ring
214	2MCN2970-A214	O-Ring
215	2MCN2550-A215	Trigger Unit
216	2MM365-A412	Spiral Pins
217	2MCN2550-C217	Spiral Pins
218	2MCN2550-A214	Spring
301	2MCN2550-C301	Gun Body Unit
302	2MCN2550-A302	End Cap
303	2MCN3165-A303	O-Ring
304	2MCN3165-A304	Dusty Cover
305	2MCN3165-A305	Air Plug
401	2MCN2550-C401	Nose Piece
402	2MCN3165-A402	O-Ring
403	2MCN2550-C403	Feed Piston
404	2MCN3165-A404	O-Ring
405	2MCN3165-A405	O-Ring
406	2MCN2565-A410	Pusher Spring A
407	2MCN3165-A408	Feed Bumper
408	2MCN3165-A409	Feed Piston Cap
409	2MCN3165-A410	C-Ring
410	2MCN3165-A458	O-Ring
411	2MCN2550-A411	Feed Finger
412	2MCN3165-A412	Feed Finger Spring
413	2MCN3165-A418	Pin Feed Piston
414	2MCN3165-A414	Pu Retainer
415	2MCN3165-A415	First Stopper Finger
416	2MCN3165-A416	Urethane Retainer
417	2MCN2550-A417	Spring
418	2MCN3165-A428	Hex. Soc. Hd. Bolt
419	2MCN2550-A419	Pin-Nail Stop
420	2MCN3165-A449	Door Shaft Pin
421	2MCN2550-C421	Door
422	2MCN3165-A422	Latch Spring
423	2MCN3165-A423	Door Latch
424	2MCN3165-A424	Spring Pin
425	2MCN3165-A432	Safety Guide
426	2MCN3165-A434	Safety Spring
427	2MCN2550-C427	Safety A Unit
428	2MCN3165-A431	Bolt Cap
429	2MCN2565-A404	Hex. Soc. Hd. Bolt
430	2MCN2550-A430	Safety Cover
431	2MCN2550-A454	Muzzle Protector
432	2MCN3165-A456	Fixed Pin
433	2MCN2550-A456	Fixed Ring
434	2MCN3165-A452	Flat Washer
435	2MCN3165-A451	Hex. Soc. Hd. Bolt
436	2MCN3165-A444	Spring Base A



437	2MCN2550-C437	Pull Spring
438	2MCN3165-A446	Spacer
439	2MCN3165-A454	Lock Nut
440	2MCN3165-A450	Shaft Ring
441	2MCN2550-A447	Magazine Case
442	2MCN3165-A460	O-Ring
443	2MCN3165-A448	Spring Base
444	2MCN3165-A433	Spring Pin
445	2MM365-A416	Safety B
446	2MCN3165-A436	Adjust Axie
447	2MCN3165-A437	Cover-Safety
448	2MCN2550-A438	Adjust Rod
449	2MCN3165-A439	O-Ring
450	2MCN3165-A441	E-Ring
451	2MCN2550-A413	Nail Stop
452	2MCN2550-A425	Spacer
453	2MCN3165-A427	Pin-Nail Stop
454	2MCN3165-A426	Stopper Finger Spring
455	2MCN2550-A457	Spring
456	2MCN2550-A458	Nail Guide Cover
457	2MCN2550-A459	Rod
458	2MCN2550-A452	Half Round Hd. Hex. B
459	2MCN2550-C459	Magazine Cover
K100	2MCN2550-K100	Kit O-Ring

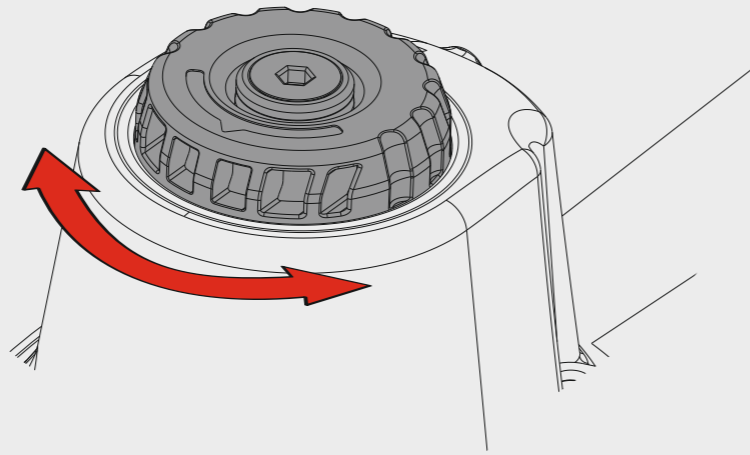


Caricamento - Loading - Laden - Chargement - Carga - Γέμισμα - Carregamento - Laden - Yükleme

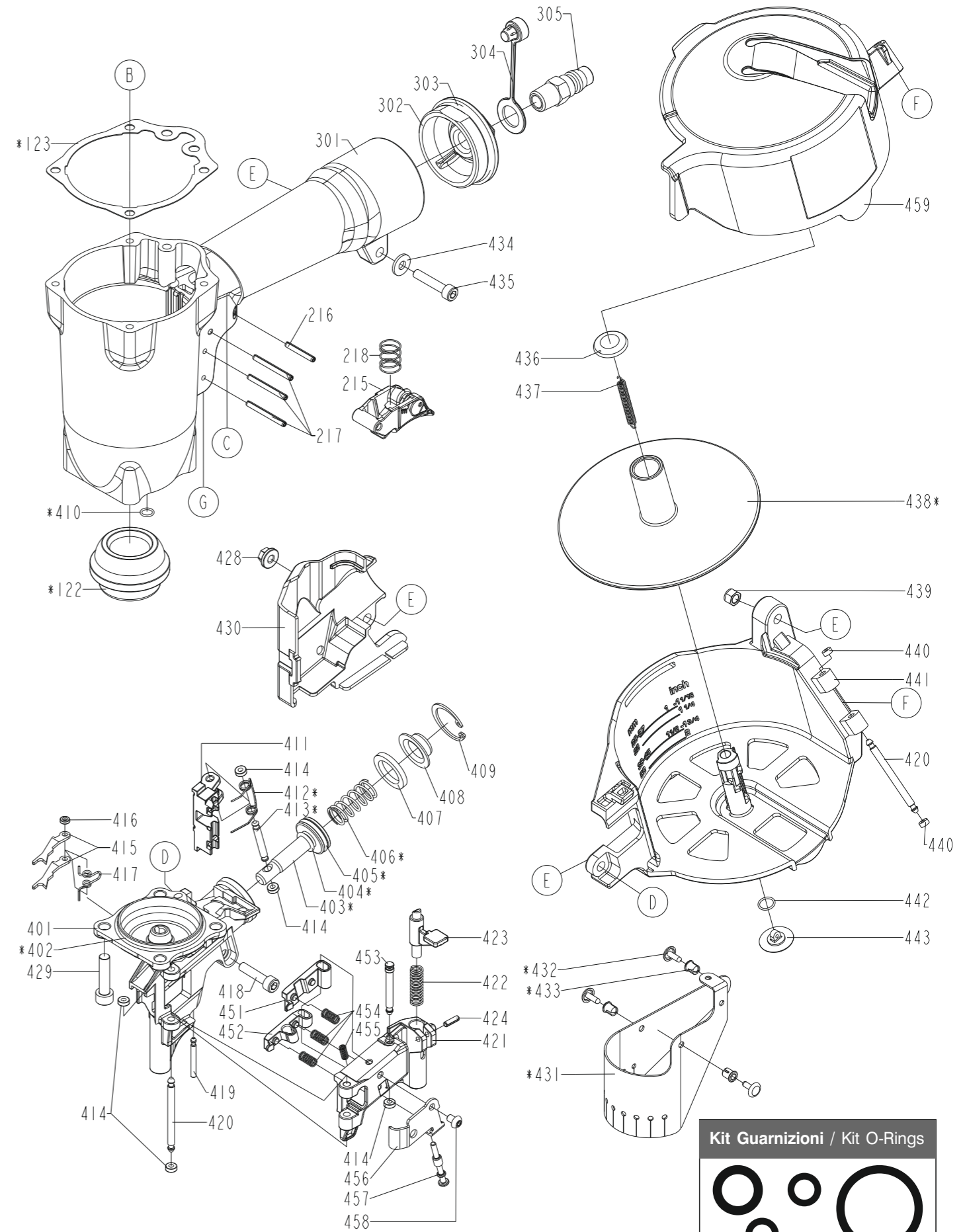
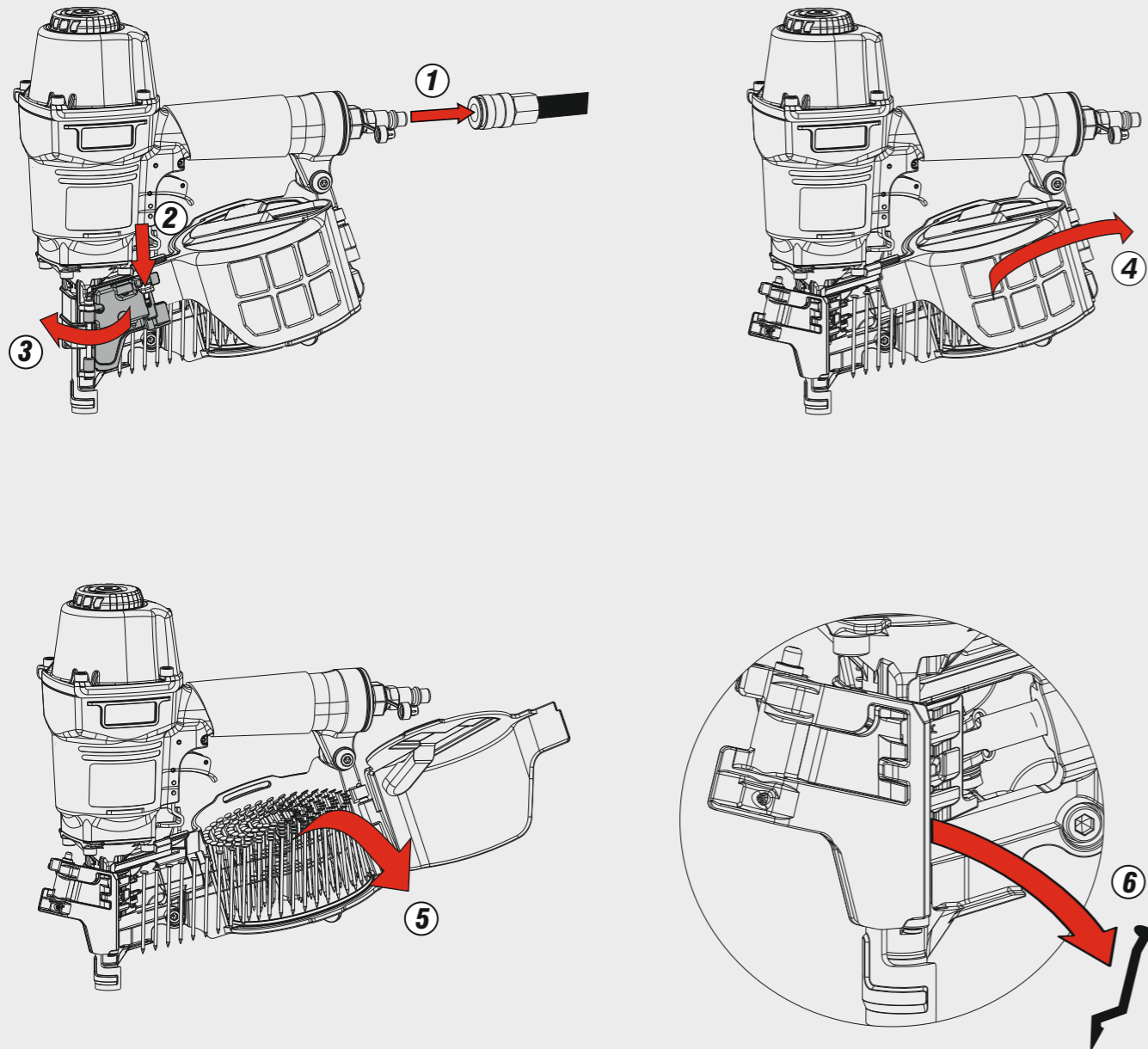


Parti di ricambio - Spare parts - Ersatzteile - Pièces de rechange - Recambios
Ανταλλακτικά - Partes sobresselentes - Wisselstukken - Yedek parçalar

Scarico orientabile a 360°
360° adjustable exhaust



Disinceppamento - Jam clearing - Staubeseitigung - Décoincement - Desatascamiento - Απεμπλοκή
Desencravamento - Deblokkering bij vastlopen - Sıkışma giderme



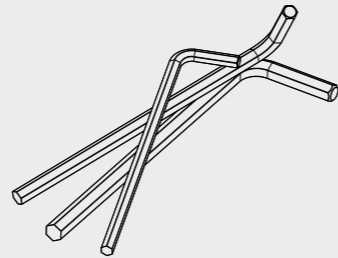
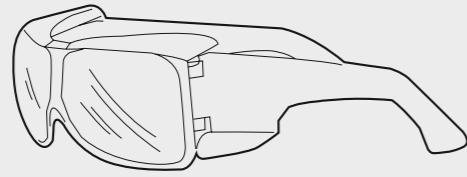
Kit Guarnizioni / Kit O-Rings

2MCM2550-K100

CN25.50

cod. 195MCM2550-C1

Indice di modifica
Upgrade number **C1**



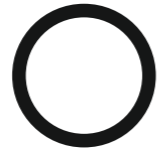
2MCN2970-A208



2MCN2970-A214



2MCN2970-A201



2MCN3165-A458



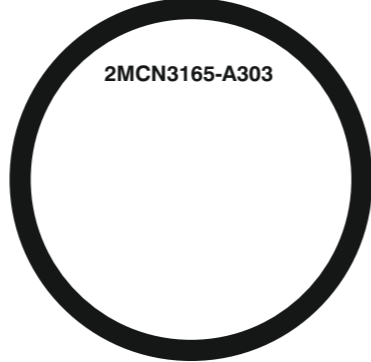
2MCN3165-A206



2MCN3165-A405



2MCN3165-A303



2MCN3165-A460



2MCN2970-A213



2MCN2970-A203



2MCN3165-A439



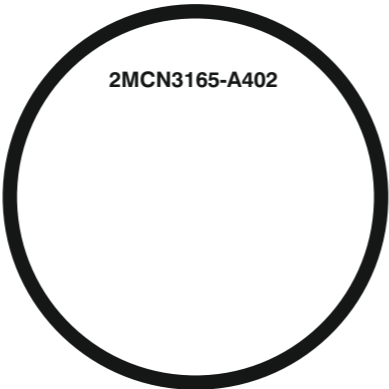
2MCN3165-A404



2MCN3165-A205



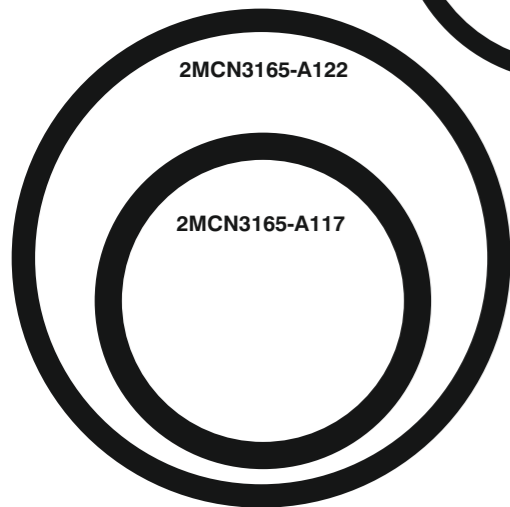
2MCN3165-A402



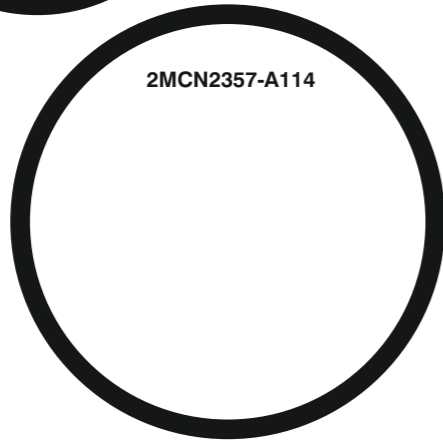
2MCN2357-A115



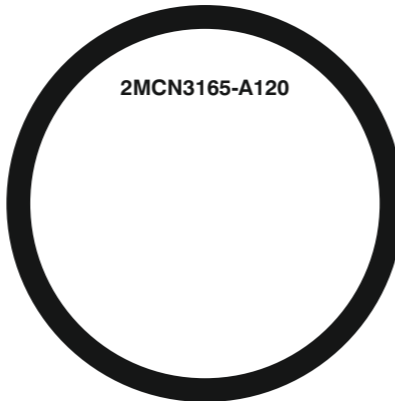
2MCN3165-A122



2MCN2357-A114

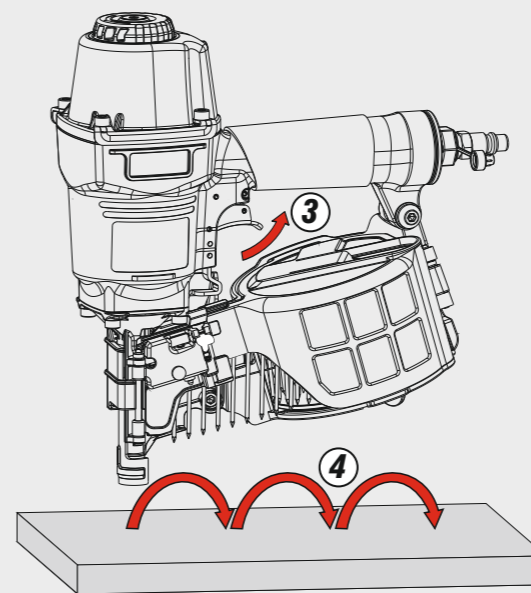
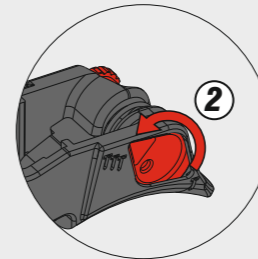
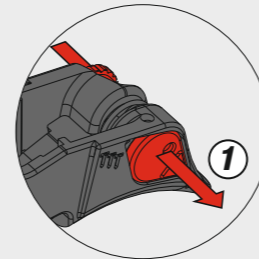


2MCN3165-A120

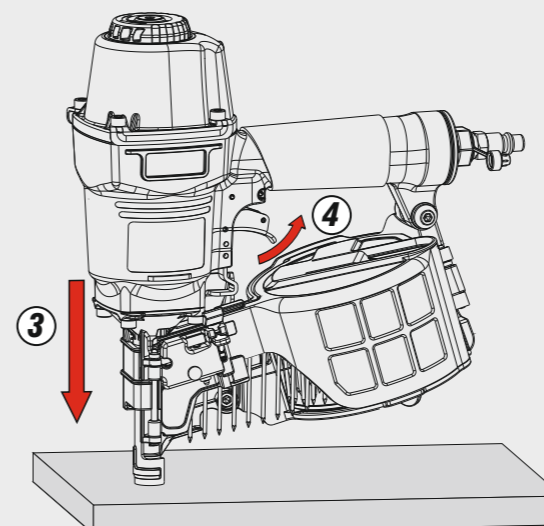


2MCN2550-K100

Azionamento a contatto
 Contact actuation



Oppure - Or



Azionamento sequenziale singolo
 Single sequential actuation

