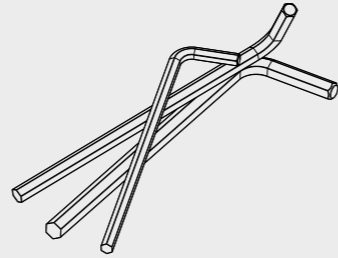
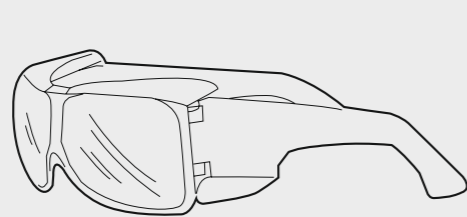
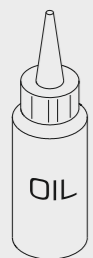
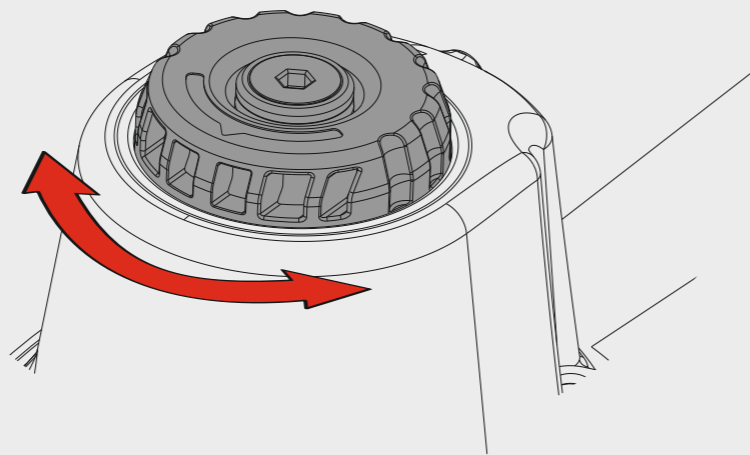


Dotazioni - Equipment - Ausstattung - Outillage - Dotaciones - Εξοπλισμός  
Dotações - Uitrusting - Donanımlar



Caratteristiche - Features - Merkmale - Caractéristiques - Características - Χαρακτηριστικά - Características - Kenmerken - Özellikler

**Scarico orientabile a 360°**  
360° adjustable exhaust



Note - Notes - Hinweise - Remarques - Notas - Σημειώσεις - Observações - Opmerkingen - Notlar



<b>Manuale d'uso, manutenzione e parti di ricambio</b>	<b>Parte 2</b>
<b>Manual for use, maintenance and spare parts</b>	<b>Part 2</b>
<b>Bedienungs- und Wartungshandbuch sowie Ersatzteilleiste</b>	<b>Teil 2</b>
<b>Mode d'emploi, de maintenance et pièces de rechange</b>	<b>Partie 2</b>
<b>Manual de uso, mantenimiento y recambios</b>	<b>Part 2</b>
<b>Εγχειρίδιο χρήσης, συντήρησης και ανταλλακτικών</b>	<b>Μέρος 2</b>
<b>Manual de uso, manutenção e peças sobresselentes</b>	<b>Parte 2</b>
<b>Handleiding voor gebruik, onderhoud en wisselstukken</b>	<b>Deel 2</b>
<b>Kullanım, bakım ve yedek parça kılavuzu</b>	<b>Kısım 2</b>



**CN25.65**

cod. 195MCN2565-A1



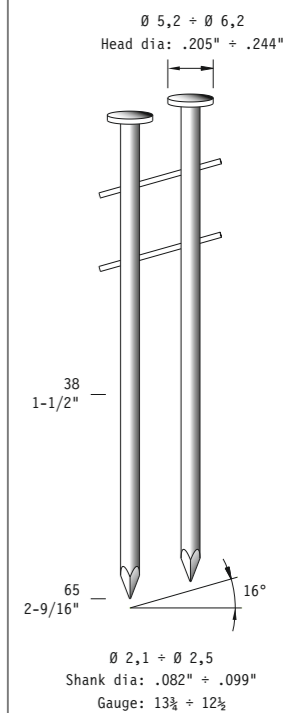
**Warning:** Please read the instructions and warnings for this tool carefully before use. Failure to do so could lead to serious injury.

Dati tecnici Technical data Technische Daten	Caractéristiques techniques Datos técnicos Τεχνικά χαρακτηριστικά	Dados técnicos Technische gegevens Teknik veriler	
<b>Misure impiegabili mm</b> Lengths mm Verwendbare Nagellänge mm	Dimensions utiles mm Medidas de longitud mm Μήκος Αναλωσίμου - mm	Medidas utilizáveis mm Toepasbare afmetingen mm Boy mm	<b>38 ÷ 65</b>
<b>Capacità caricatore n° punti</b> Magazine capacity Magazinkapazität Nägel	Capacité chargeur n° de points Capacidad cargador n° puntos Δωνατοτητα γεμιστερα	Capacidade carregador n° pontos Capaciteit magazijn in aantal spijkers Dergi kapasitesi	<b>300 ÷ 350</b>
<b>Pressione d'esercizio</b> Operating pressure Betriebsdruck	Pression d'exercice Presión de servicio Πίεση λειτουργίας	Pressão de serviço Werkdruk Çalışma basıncı	<b>5 ÷ 8 bar 70 ÷ 115 psi</b>
<b>Consumo aria litri/colpo</b> Air consumption litres/stroke Luftverbrauch Liter/Schuss	Consommation d'air litres/coup Consumo aire litros/golpe Κατανάλωση αέρα - λιτρα/βολή	Consumo ar litros/disparo Luchtverbruik liter/slag Litre/vuruş hava tüketimi	<b>1,90</b>
<b>Peso kg</b> Weight kg Gewicht kg	Poids kg Peso kg Βάρος - kg	Peso kg Gewicht in kg Ağırlık kg	<b>2,75</b>
<b>Dimensioni mm</b> Dimensions mm Abmessungen mm	Dimensions mm Dimensiones mm Διαστάσεις mm	Dimensões mm Afmetingen mm Boyutlar mm	<b>300x130x312</b> (LxWxH)
<b>UNI EN 12549 :2009 UNI EN ISO 4871 :2009</b>			
<b>Pressione sonora in pos. operatore</b> Sound pressure in operator's position Schalldruck am Arbeitsplatz	Pression sonore poste Opérateur Presión sonora en la pos. del operador Ηχητική πίεση στη θέση του χειριστή	Pressão sonora na posição Operador Geluidsdruk op de werkplaats Operatör pozisyonunda ses basıncı	<b>92,5 dB(A)</b> (K= 2,5 dB)
<b>UNI EN 12549 :2009 UNI EN ISO 3746 :2011 UNI EN ISO 4871 :2009</b>			
<b>Potenza sonora emessa</b> Sound power emitted Emittierte Schallleistung	Puissance sonore émise Potencia sonora emitida Εκπεμπόμενη ηχητική ισχύς	Potência sonora emitida Geëmitteerd geluidsvermogen Çıkan ses gücü (ses desibel)	<b>100,2 dB(A)</b> (K= 2,5 dB)
<b>UNI CEN ISO/TS 8662-11 :2006 UNI EN ISO 5349-2 :2004 UNI EN 12096 :1999</b>			
<b>Emissione vibratoria sull'impugnatura</b> Vibratory emissions on handle Vibrationsemission am Griff	Émission vibratoire sur la prise en main Emisión de vibraciones en la empuñadura Εκπεμπόμενες δονήσεις στη λαβή	Emissão vibratória na empunhadura Trillingsemissie op de handgreep Tutamak üzerindeki vibrasyon emisyonları	<b>3,83 m/s<sup>2</sup></b> (K= 1,92 m/s <sup>3</sup> )

**CNW203**

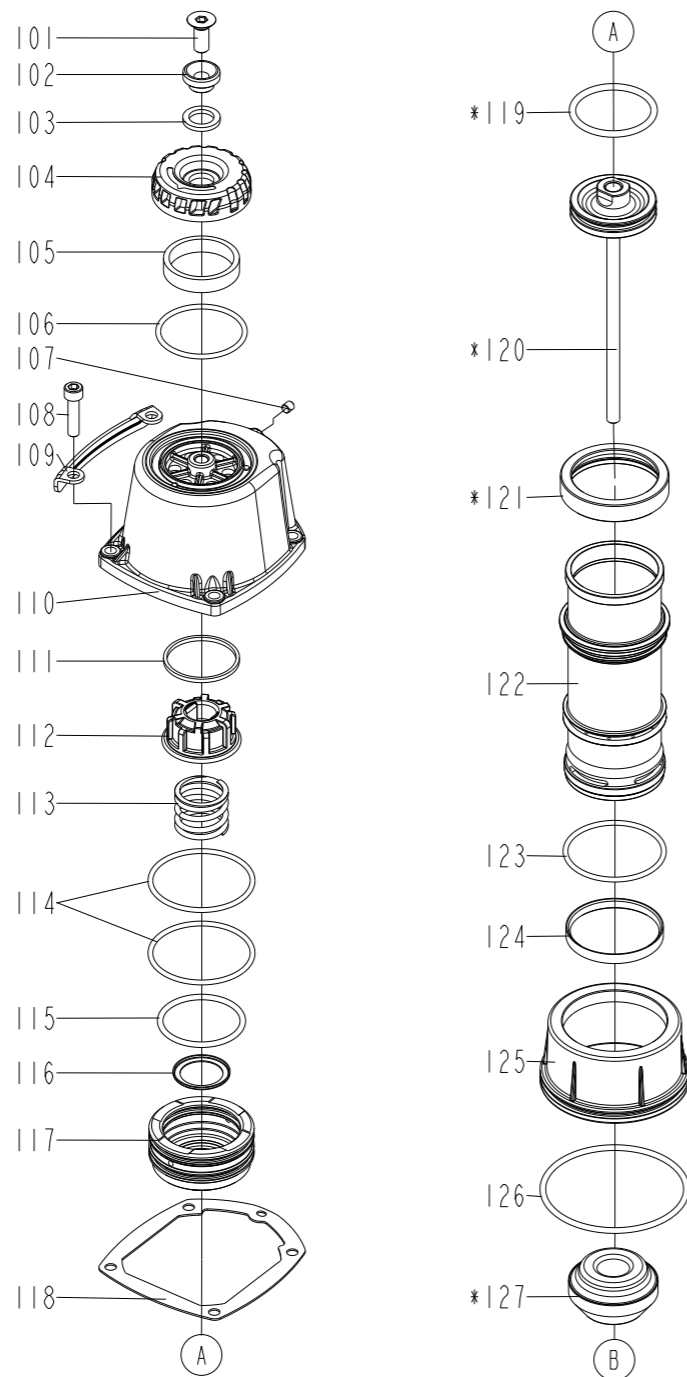
**CNW23**

**CNW25**

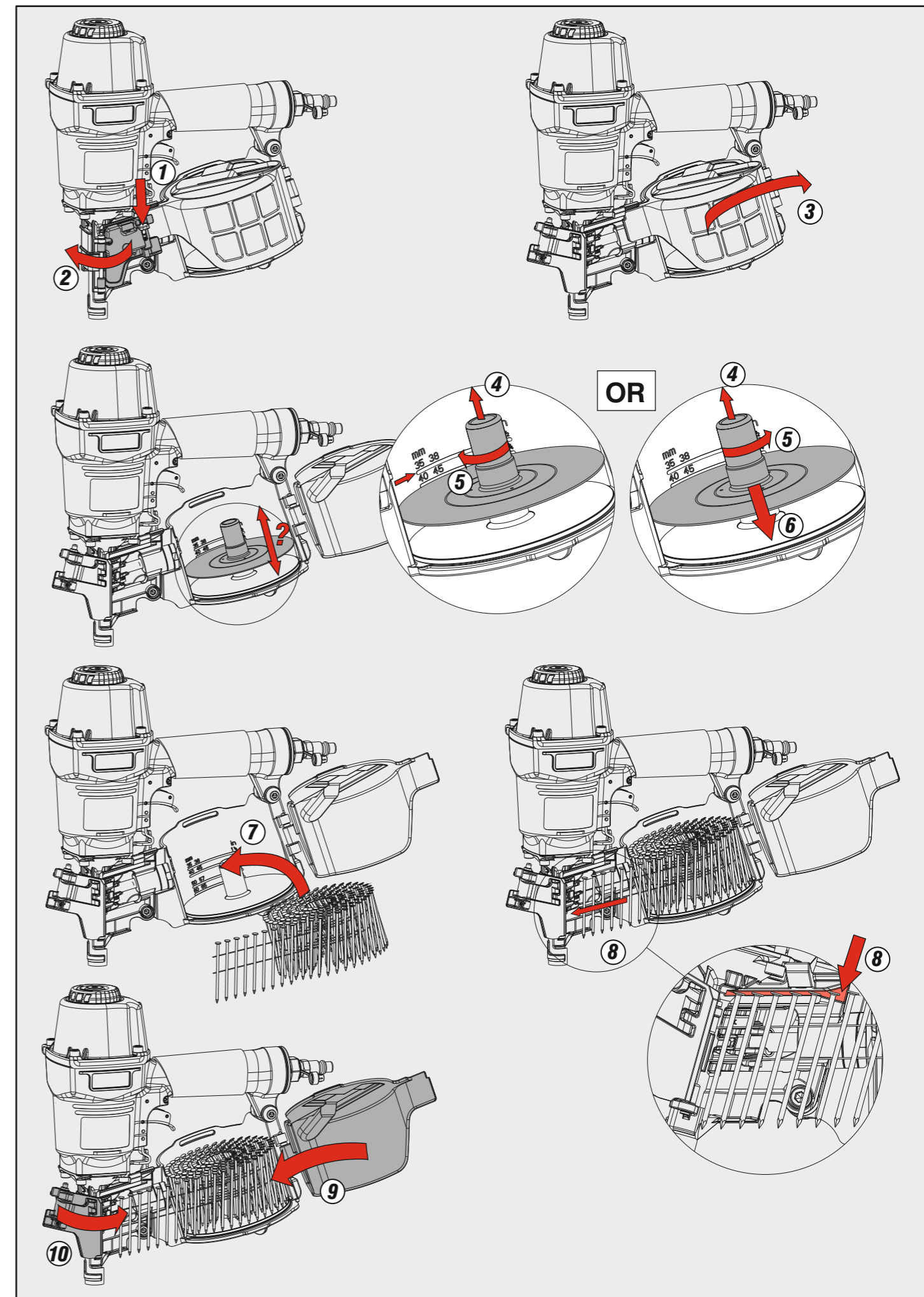


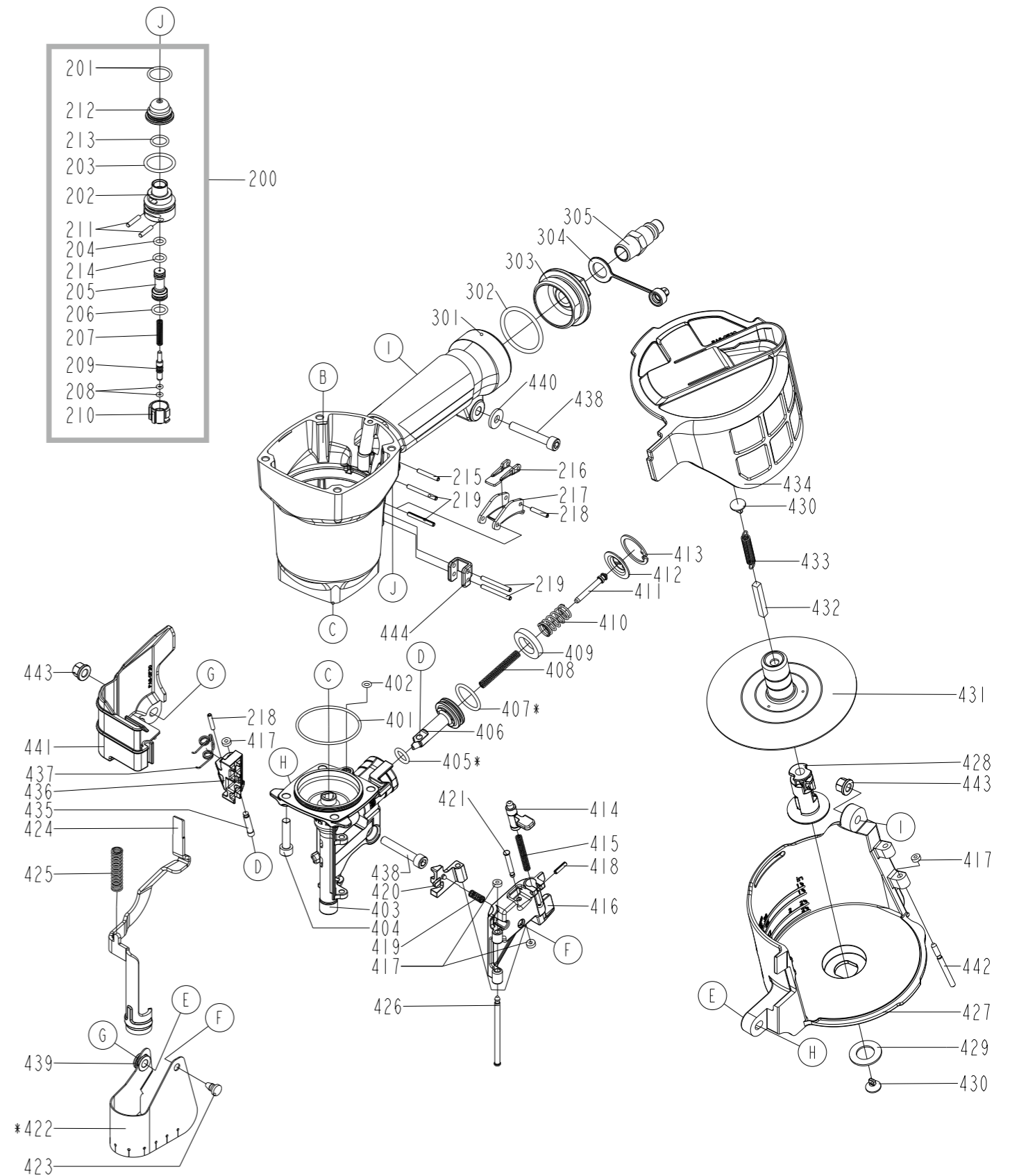
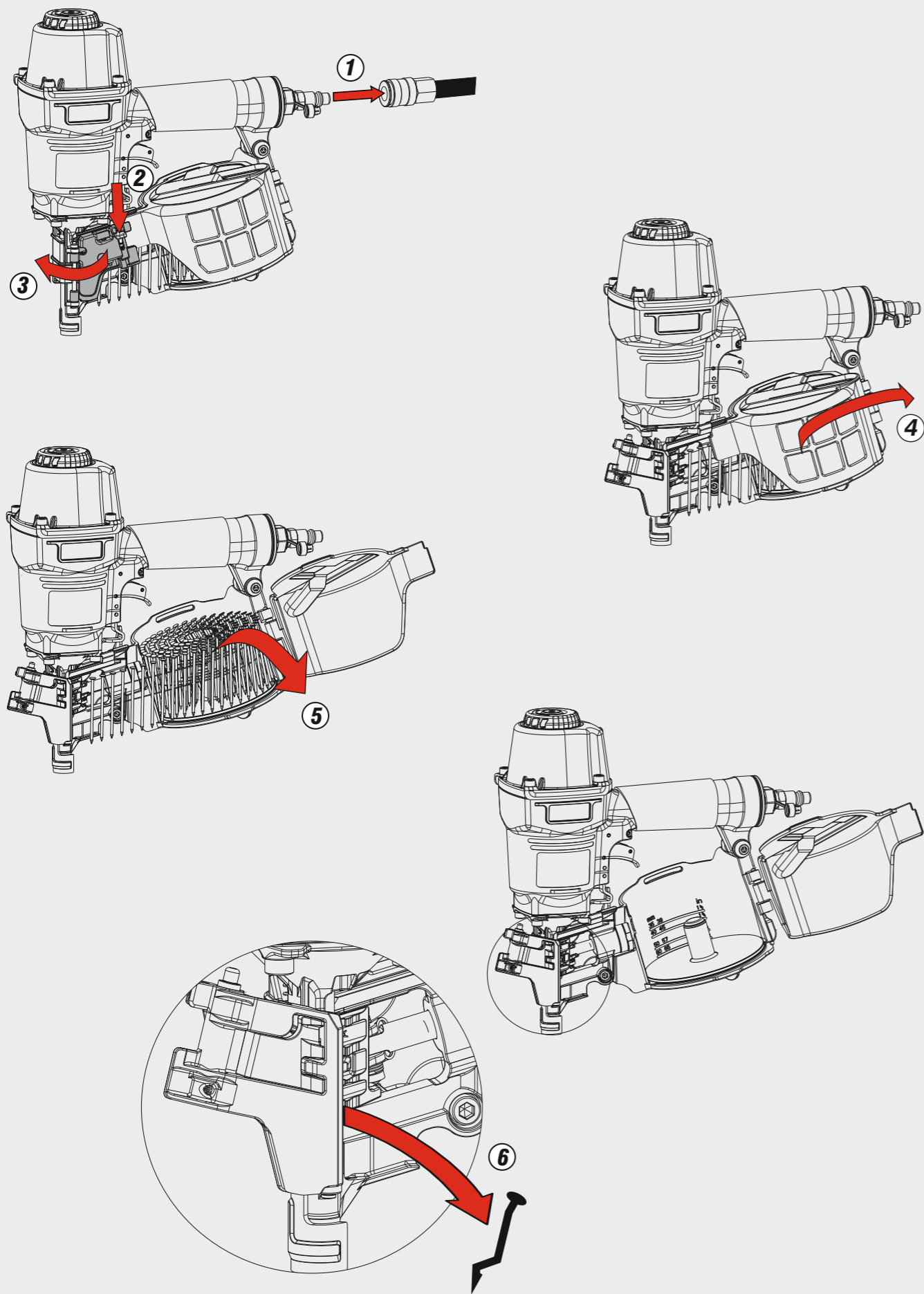
195MCN2565-A1\_CN2565\_A1\_rev20\_31/03/2023 DV

101	2MCN3390-A101	Hex. Soc. Hd. Bolt
102	2MCN3383-A102	Washer
103	2MCN3165-A105	Rubber Pad
104	2MCN3383-A104	Deflector
105	2MCN3165-A104	Muffler
106	2MCN3383-A105	O-Ring
107	2MCN2970-A104	Hex. Soc. Hd. Screw
108	2MCN2565-A108	Hex. Soc. Hd. Bolt
109	2MCN2357-A109	Guide Cover
110	2MCN2565-A110	Cap
111	2MCN2357-A111	Washer Seal
112	2MCN2357-A112	Seal
113	2MM365-A110	Compression Spring
114	2MCN2357-A114	O-Ring
115	2MCN2970-A109	O-Ring
116	2MCN2357-A116	Washer
117	2MM365-A113	Hd. Valve Piston
118	2MCN2565-A118	Cylinder Cap Seal
119	2MM365-A118	O-Ring
120	2MCN2565-A120	Driver Unit
121	2MM365-A120	Collar
122	2MCN2565-A122	Cylinder
123	2MCN2357-A123	O-Ring
124	2MCN2565-A124	Cylinder Ring
125	2MCN2565-A125	Cylinder Spacer
126	2MCN2357-A126	O-Ring
127	2MCN2565-A127	Bumper
200	2MCN2970-A200	Trigger Valve Unit
201	2MCN2970-A201	O-Ring
202	2MCN2970-A202	Plunger Cap
203	2MCN2970-A203	O-Ring
204	2MCN3165-A205	O-Ring
205	2MCN2970-A205	Valve Plunger
206	2MCN3165-A206	O-Ring
207	2MCN2970-A207	Spring
208	2MCN2970-A208	O-Ring
209	2MCN2357-A209	Plunger
210	2MCN2970-A210	Trigger Valve Head
211	2MCN2970-A211	Pin
212	2MCN2970-A212	Cover Plunger
213	2MCN2970-A213	O-Ring
214	2MCN2970-A214	O-Ring
215	2MCN2970-A215	Spring Pin
216	2MCN2970-A216	Secondary Trigger
217	2MCN2970-A217	Trigger
218	2MCN3165-A216	Spiral Pins
219	2MCN2357-A219	Spiral Pins
301	2MCN2357-A301	Gun Body Unit
302	2MCN2357-A302	O-Ring
303	2MCN2357-A303	End Cap
304	2MCN3165-A304	Dusty Cover
305	2MCN3165-A305	Air Plug
401	2MCN2357-A401	O-Ring
402	2MCN2970-A402	O-Ring
403	2MCN2565-A403	Nose Piece
404	2MCN2565-A404	Hex. Soc. Hd. Bolt
405	2MCN3390-A409	O-Ring
406	2MCN2565-A406	Feed Piston
407	2MCN2970-A407	O-Ring
408	2MCN2357-A408	Pusher Spring B
409	2MCN2970-A408	Feed Bumper
410	2MCN2565-A410	Pusher Spring A
411	2MCN2565-A411	Rod
412	2MCN2357-A412	Feed Piston Cap
413	2MCN2970-A411	C-Ring
414	2MCN2970-A413	Door Latch
415	2MCN3383-A415	Latch Spring
416	2MCN2565-A416	Door
417	2MCN2970-A416	Pu Retainer
418	2MCN3165-A211	Spring Pin
419	2MCN2970-A418	Stopper Finger Spring
420	2MCN2357-A420	Nail Stop
421	2MCN2357-A421	Pin-Nail Stop
422	2MCN2565-A422	Muzzle Protector
423	2MCN2970-A422	Dust Shield Plug
424	2MCN2565-A424	Safety
425	2MCN3390-A505	Safety Spring



426	2MCN2565-A426	Door Shaft Pin
427	2MCN2565-A427	Magazine Case
428	2MCN2565-A428	Adjust Post
429	2MCN2565-A429	S-Ring
430	2MCN2970-A429	Spring Base
431	2MCN2565-A431	Spacer
432	2MCN2970-A432	Spacer
433	2MCN2970-A433	Pull Spring
434	2MCN2565-A434	Magazine Cover
435	2MCN2970-A435	Pin Feed Piston
436	2MCN2565-A436	Feed Finger
437	2MCN2970-A437	Feed Finger Spring
438	2MCN2357-A438	Hex. Soc. Hd. Bolt
439	2MCN2357-A439	Protector Washer
440	2MSN2213-A409	Flat Washer
441	2MCN2357-A441	Spring Cover
442	2MCN2357-A442	Magazine Shaft Pin
443	2MCN2970-A442	Bolt Cap
444	2MCN2565-A444	Safety Guide
500	2MSN2213-K216	Sequential actuation KIT



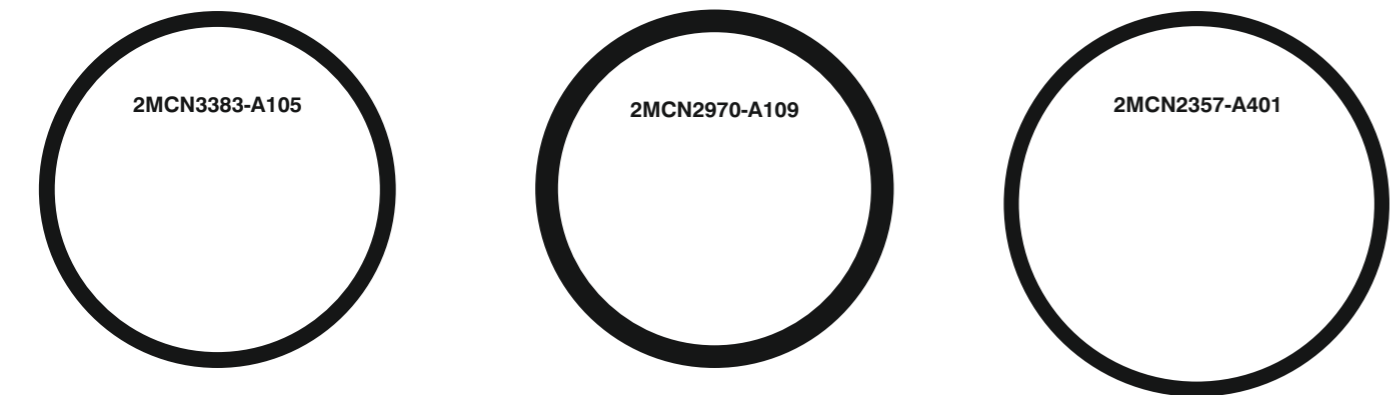
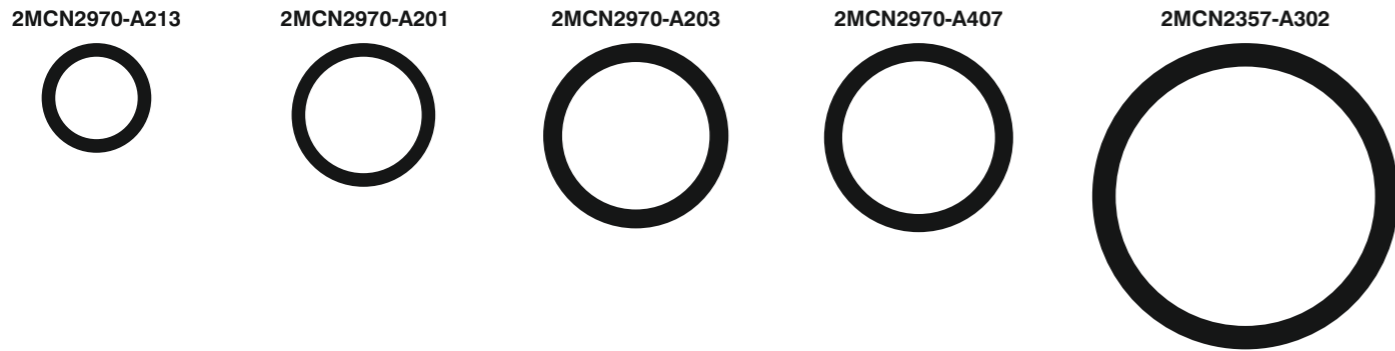
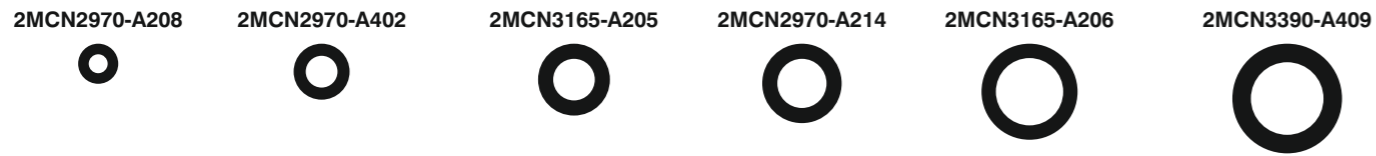


CN25.65

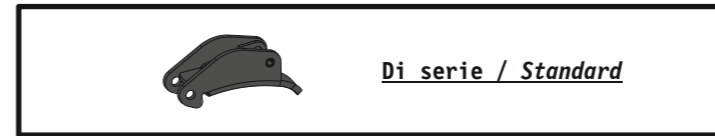
cod. 195MCN2565-A1

Indice di modifica  
Upgrade number

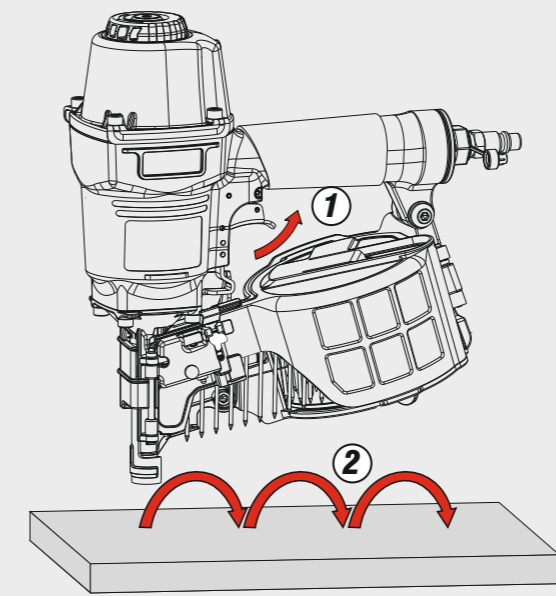
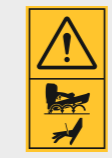
A1



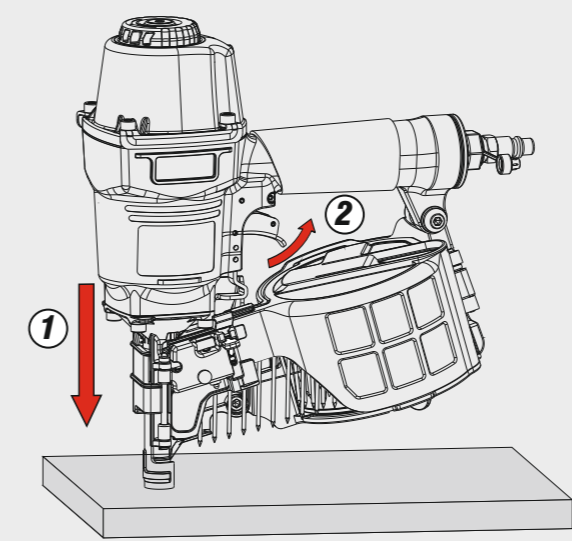
**2MCN2565-K100**



**Azionamento a contatto**  
 Contact actuation



*Oppure - Or*



**Azionamento sequenziale singolo**  
 Single sequential actuation

