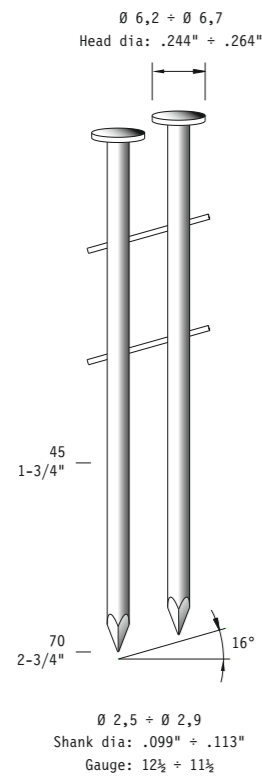
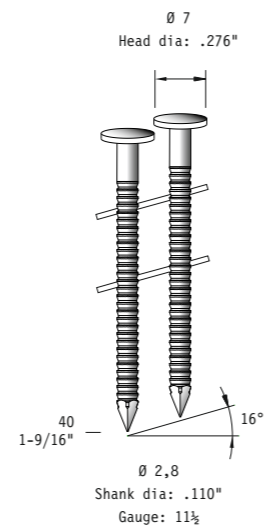


CNW25

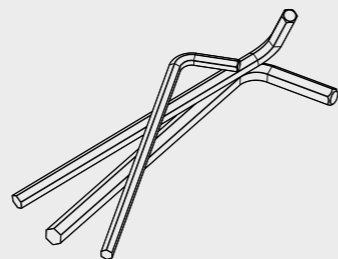
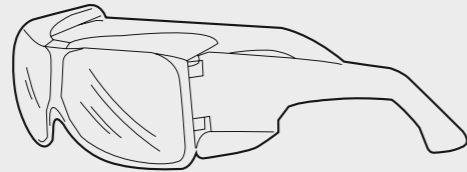
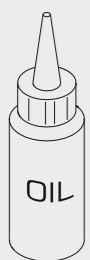
CNW28



CNWE28

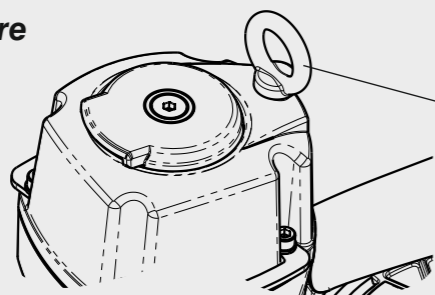


**Dotazioni - Equipment - Ausstattung - Outillage - Dotaciones - Εξοπλισμός
Dotações - Uitrusting - Donanımlar**



Accessori a richiesta - Upon request accessories

**Supporto bilanciata
Tool hanger**



Manuale d'uso, manutenzione e parti di ricambio
Manual for use, maintenance and spare parts
Bedienungs- und Wartungshandbuch sowie Ersatzteilliste
Mode d'emploi, de maintenance et pièces de rechange
Manual de uso, mantenimiento y recambios
Εγχειρίδιο χρήσης, συντήρησης και ανταλλακτικών
Manual de uso, manutençao e peças sobresselentes
Handleiding voor gebruik, onderhoud en wisselstukken
Kullanım, bakım ve yedek parça kılavuzu

Parte 2
Part 2
Teil 2
Partie 2
Part 2
Μέρος 2
Parte 2
Deel 2
Kısım 2



CN29.70

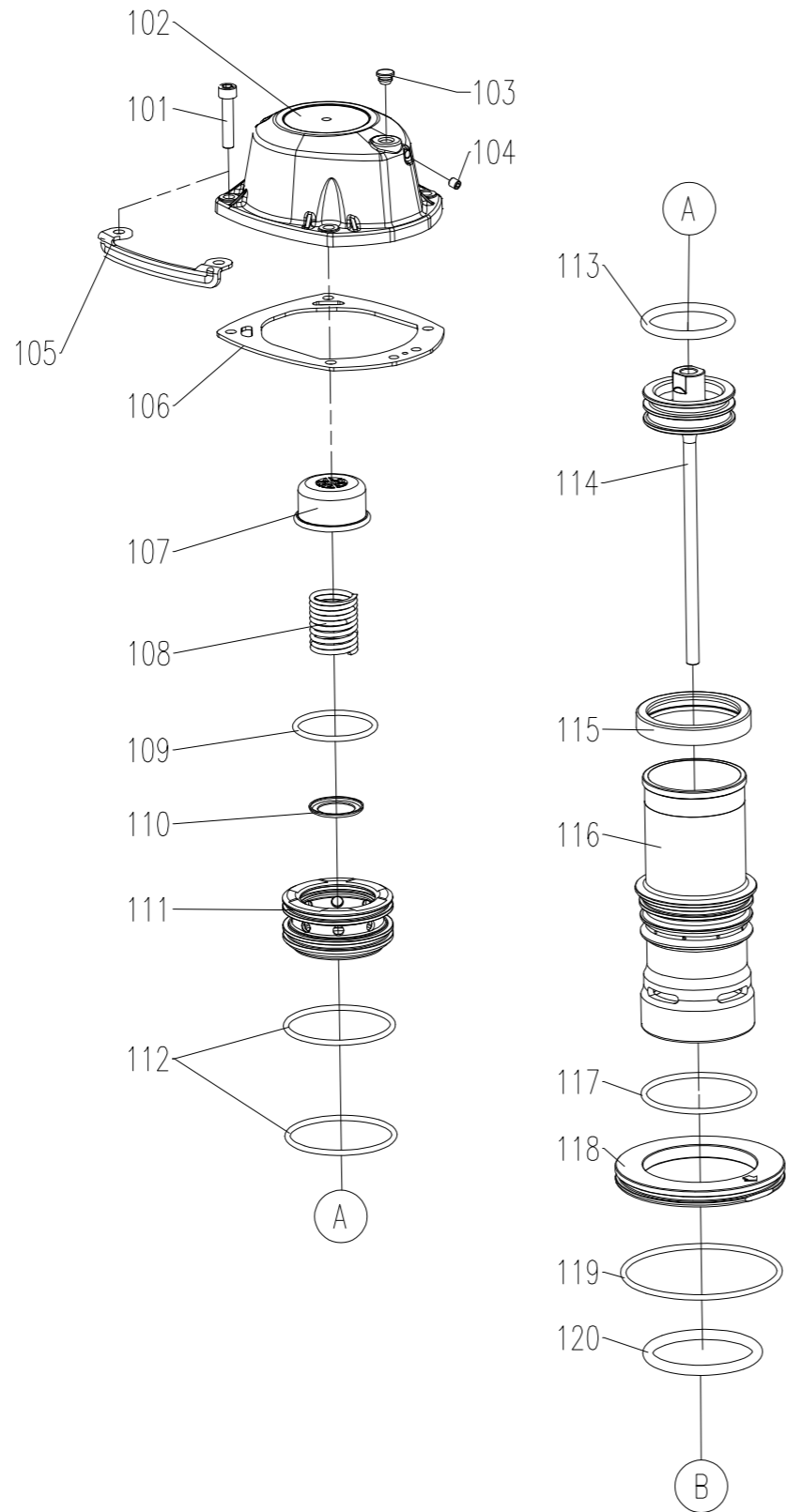
cod. 195MCN2970



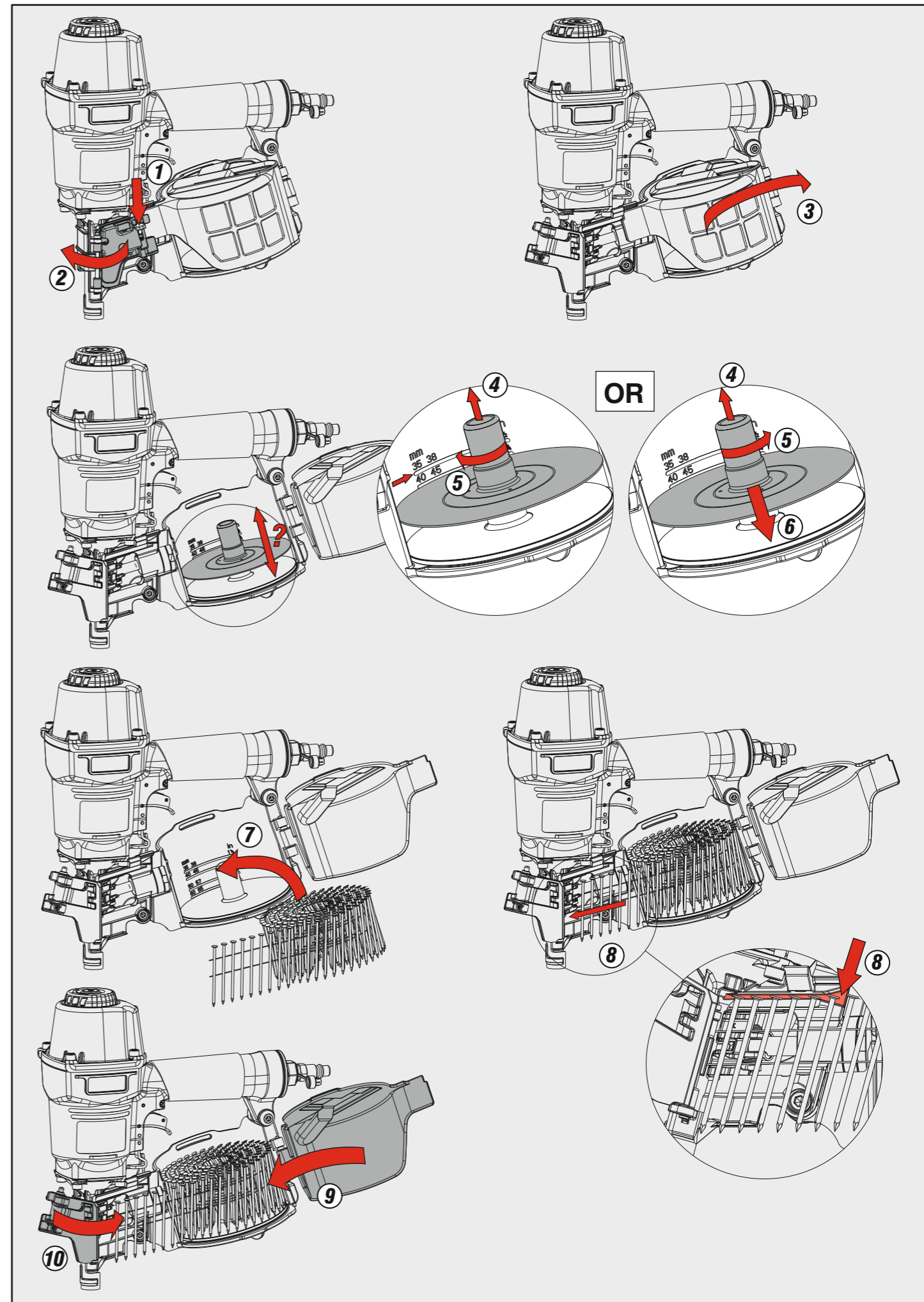
Warning: Please read the instructions and warnings for this tool carefully before use. Failure to do so could lead to serious injury.

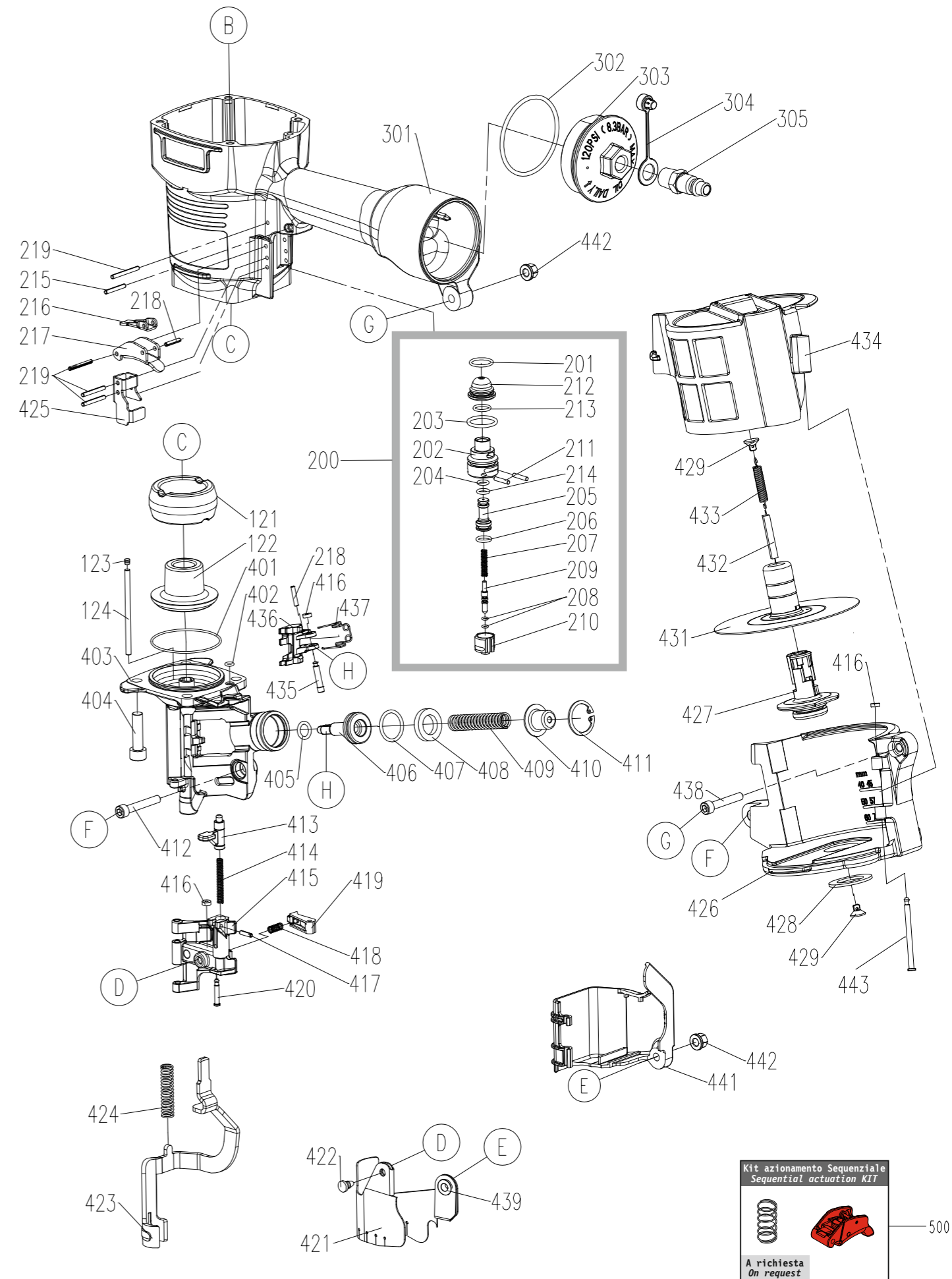
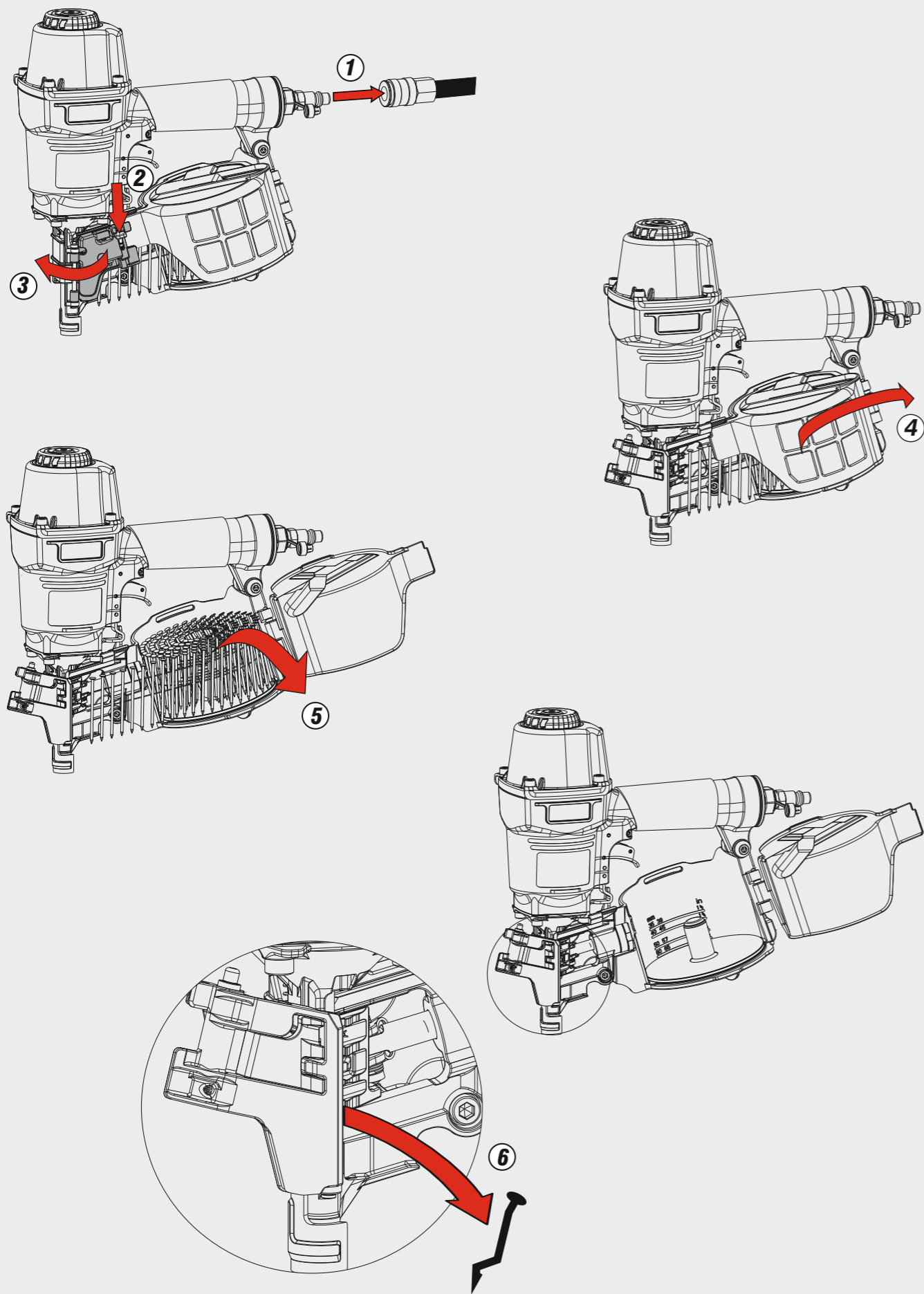
Dati tecnici Technical data Technische Daten	Caractéristiques techniques Datos técnicos Τεχνικά χαρακτηριστικά	Dados técnicos Technische gegevens Teknik veriler	
Misure impiegabili mm Lengths mm Verwendbare Nagellänge mm	Dimensions utiles mm Medidas de longitud mm Μήκος Αναλωσίμου - mm	Medidas utilizáveis mm Toepasbare afmetingen mm Boy mm	40 ÷ 70
Capacità caricatore n° punti Magazine capacity Magazinkapazität Nägel	Capacité chargeur n° de points Capacidad cargador n° puntos Δωανατοτητα γεμιστερα	Capacidade carregador n° pontos Capaciteit magazijn in aantal spijkers Dergi kapasitesi	225 ÷ 300
Pressione d'esercizio Operating pressure Betriebsdruck	Pression d'exercice Presión de servicio Πίεση λειτουργίας	Pressão de serviço Werkdruk Çalışma basıncı	5 ÷ 8 bar 70 ÷ 115 psi
Consumo aria litri/colpo Air consumption litres/stroke Luftverbrauch Liter/Schuss	Consommation d'air litres/coup Consumo aire litros/golpe Κατανάλωση αέρα - λίτρα/βολή	Consumo ar litros/disparo Luchtverbruik liter/slag Litre/vuruş hava tüketimi	2,69
Peso kg Weight kg Gewicht kg	Poids kg Peso kg Βάρος - kg	Peso kg Gewicht in kg Ağırlık kg	3,60
Dimensioni mm Dimensions mm Abmessungen mm	Dimensions mm Dimensiones mm Διαστάσεις mm	Dimensões mm Afmetingen mm Boyutlar mm	340x129x320 (LxWxH)
UNI EN 12549 :2009 UNI EN ISO 4871 :2009	Pressione sonora in pos. operatore Sound pressure in operator's position Schalldruck am Arbeitsplatz	Pressão sonora na posição Operador Geluidsdruk op de werkplaats Operatör pozisyonunda ses basıncı	99,2 dB(A) (K= 2,5 dB)
UNI EN 12549 :2009 UNI EN ISO 3746 :2011 UNI EN ISO 4871 :2009	Potenza sonora emessa Sound power emitted Emittierte Schallleistung	Puissance sonore émise Potencia sonora emitida Çıkan ses gücü (ses desibel)	105,1 dB(A) (K= 2,5 dB)
UNI CEN ISO/TS 8662-11 :2006 UNI EN ISO 5349-2 :2004 UNI EN 12096 :1999	Emissione vibratoria sull'impugnatura Vibratory emissions on handle Vibrationsemission am Griff	Émission vibratoire sur la prise en main Emisión de vibraciones en la empuñadura Tutamak üzerinde vibrasyon emisyonları	4,78 m/s² (K= 2,39 m/s ²)

101	2MCN2970-A101	Hex. Soc. Hd. Bolt
102	2MCN2970-A102	Cap
103	2MCN2970-A103	Grommet
104	2MCN2970-A104	Hex. Soc. Hd. Screw
105	2MCN2970-A105	Guide Cover
106	2MCN2970-A106	Cylinder Cap Seal
107	2MCN2970-A107	Seal
108	2MCN2970-A108	Compression Spring
109	2MCN2970-A109	O-Ring
110	2MCN2970-A110	Washer
111	2MCN2970-A111	Hd. Valve Piston
112	2MCN2970-A112	O-Ring
113	2MCN2970-A113	O-Ring
114	2MCN2970-A114	Driver Unit
115	2MCN2970-A115	Collar
116	2MCN2970-A116	Cylinder
117	2MCN2970-A117	O-Ring
118	2MCN2970-A118	Cylinder Spacer
119	2MCN2970-A119	O-Ring
120	2MCN2970-A120	O-Ring
121	2MCN2970-A121	Bumper-A
122	2MCN2970-A122	Bumper-B
123	2MCN2970-A123	Grommet A
124	2MCN2970-A124	Door Shaft Pin
200	2MCN2970-A200	Trigger Valve Unit
201	2MCN2970-A201	O-Ring
202	2MCN2970-A202	Plunger Cap
203	2MCN2970-A203	O-Ring
204	2MCN3165-A205	O-Ring
205	2MCN2970-A205	Valve Plunger
206	2MCN3165-A206	O-Ring
207	2MCN2970-A207	Spring
208	2MCN2970-A208	O-Ring
209	2MCN2357-A209	Plunger
210	2MCN2970-A210	Trigger Valve Head
211	2MCN2970-A211	Pin
212	2MCN2970-A212	Cover-Plunger
213	2MCN2970-A213	O-Ring
214	2MCN2970-A214	O-Ring
215	2MCN2970-A215	Spring Pin
216	2MCN2970-A216	Secondary Trigger
217	2MCN2970-A217	Trigger
218	2MCN3165-A216	Spring Pin
219	2MCN2970-A219	Spring Pin
301	2MCN2970-A301	Gun Body Unit
302	2MCN2970-A302	O-Ring
303	2MCN2970-A303	End Cap
304	2MCN3165-A304	Dusty Cover
305	2MCN3165-A305	Air Plug
401	2MCN2970-A401	O-Ring
402	2MCN2970-A402	O-Ring
403	2MCN2970-A403	Nose Piece
404	2MCN2970-A404	Hex. Soc. Hd. Bolt
405	2MCN2970-A405	O-Ring
406	2MCN2970-A406	Feed Piston
407	2MCN2970-A407	O-Ring
408	2MCN2970-A408	Feed Bumper
409	2MCN2970-A409	Pusher Spring
410	2MCN2970-A410	Feed Piston Cap
411	2MCN2970-A411	C-Ring
412	2MCN2970-A412	Hex. Soc. Hd. Bolt
413	2MCN2970-A413	Door Latch
414	2MCN2970-A414	Latch Spring
415	2MCN2970-A415	Door
416	2MCN2970-A416	Pu Retainer
417	2MCN3165-A211	Spring Pin
418	2MCN2970-A418	Stopper Finger Sprin
419	2MCN2970-A419	Nail Stop
420	2MCN2970-A420	Pin-Nail Stop
421	2MCN2970-A421	Muzzle Protector
422	2MCN2970-A422	Dust Shield Plug
423	2MCN2970-A423	Safety
424	2MCN2970-A424	Safety Spring
425	2MCN2970-A425	Safety Guide
426	2MCN2970-A426	Magazine Case
427	2MCN2970-A427	Magaeing Post
428	2MCN2970-A428	Rubber Ring
429	2MCN2970-A429	Spring Base
431	2MCN2970-A431	Spacer
432	2MCN2970-A432	Spacer



433	2MCN2970-A433	Pull Spring
434	2MCN2970-A434	Magazine Cover
435	2MCN2970-A435	Pin Feed Piston
436	2MCN2970-A436	Feed Finger
437	2MCN2970-A437	Feed Finger Spring
438	2MCN2970-A438	Hex. Soc. Hd. Bolt
439	2MCN2970-A439	Protector Washer
441	2MCN2970-A441	Spring Cover
442	2MCN2970-A442	Bolt Cap
443	2MCN2970-A443	Magazine Shaft Pin
500	2MSN2213-K216	Sequential actuation KIT
K100	2MCN2970-K100	Kit O-Ring





CN29.70

cod. 195MCN2970

Indice di modifica
Upgrade number

A1

