

**Manuale d'uso, manutenzione e parti di ricambio**  
**Manual for use, maintenance and spare parts**  
**Bedienungs- und Wartungshandbuch sowie Ersatzteilliste**  
**Mode d'emploi, de maintenance et pièces de rechange**  
**Manual de uso, mantenimiento y recambios**  
**Εγχειρίδιο χρήσης, συντήρησης και ανταλλακτικών**  
**Manual de uso, manutenção e peças sobresselentes**  
**Handleiding voor gebruik, onderhoud en wisselstukken**  
**Kullanım, bakım ve yedek parça kılavuzu**

**Parte 2**  
**Part 2**  
**Teil 2**  
**Partie 2**  
**Part 2**  
**Μέρος 2**  
**Parte 2**  
**Deel 2**  
**Kısım 2**



**CN33.83**

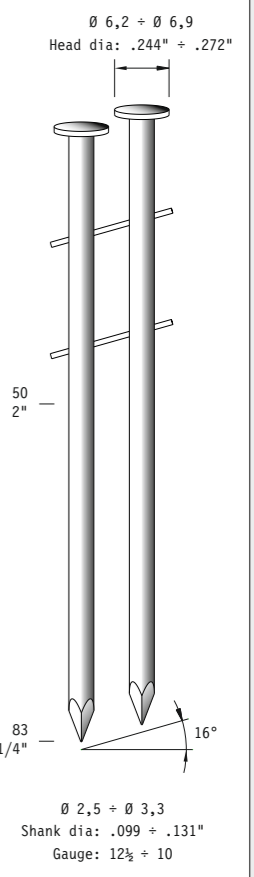
cod. 195MCN3383



**Warning: Please read the instructions and warnings for this tool carefully before use. Failure to do so could lead to serious injury.**

Dati tecnici Technical data Technische Daten	Caractéristiques techniques Datos técnicos Τεχνικά χαρακτηριστικά	Dados técnicos Technische gegevens Teknik veriler
<b>Misure impiegabili mm</b> Lengths mm Verwendbare Nagellänge mm	Dimensions utiles mm Medidas de longitud mm Μήκος Αναλωσίμου - mm	Medidas utilizáveis mm Toepasbare afmetingen mm Boy mm
<b>Capacità caricatore n° punti</b> Magazine capacity Magazinkapazität Nägel	Capacité chargeur n° de points Capacidad cargador n° puntos Δωνατοτητα γεμιστρα	Capacidade carregador n° pontos Capaciteit magazijn in aantal spijkers Dergi kapasitesi
<b>Pressione d'esercizio</b> Operating pressure Betriebsdruck	Pression d'exercice Presión de servicio Πίεση λειτουργίας	Pressão de serviço Werkdruk Çalışma basıncı
<b>Consumo aria litri/colpo</b> Air consumption litres/stroke Luftverbrauch Liter/Schuss	Consommation d'air litres/coup Consumo aire litros/golpe Κατανάλωση αέρα - λίτρα/βολή	Consumo ar litros/disparo Luchtverbruik liter/slag Litre/vuruş hava tüketimi
<b>Peso kg</b> Weight kg Gewicht kg	Poids kg Peso kg Βάρος - kg	Peso kg Gewicht in kg Ağırlık kg
<b>Dimensioni mm</b> Dimensions mm Abmessungen mm	Dimensions mm Dimensiones mm Διαστάσεις mm	Dimensões mm Afmetingen mm Boyutlar mm
<b>UNI EN 12549 :2009</b> <b>UNI EN ISO 4871 :2009</b>	<b>Pressione sonora in pos. operatore</b> Sound pressure in operator's position Schalldruck am Arbeitsplatz	Pressão sonora na posição Operador Geluidsdruk op de werkplaats Operatör pozisyonunda ses basıncı
<b>UNI EN 12549 :2009</b> <b>UNI EN ISO 3746 :2011</b> <b>UNI EN ISO 4871 :2009</b>	<b>Potenza sonora emessa</b> Sound power emitted Emitierte Schallleistung	Potência sonora emitida Geëmitteerd geluidsvermogen Çıkan ses gücü (ses desibel)
<b>UNI CEN ISO/TS 8662-11 :2006</b> <b>UNI EN ISO 5349-2 :2004</b> <b>UNI EN 12096 :1999</b>	<b>Emissione vibratoria sull'impugnatura</b> Vibratory emissions on handle Vibrationsemission am Griff	Emissão vibratória na empunhadura Trillingsemissie op de handgreep Tutamak üzerindeki vibrasyon emisyonları

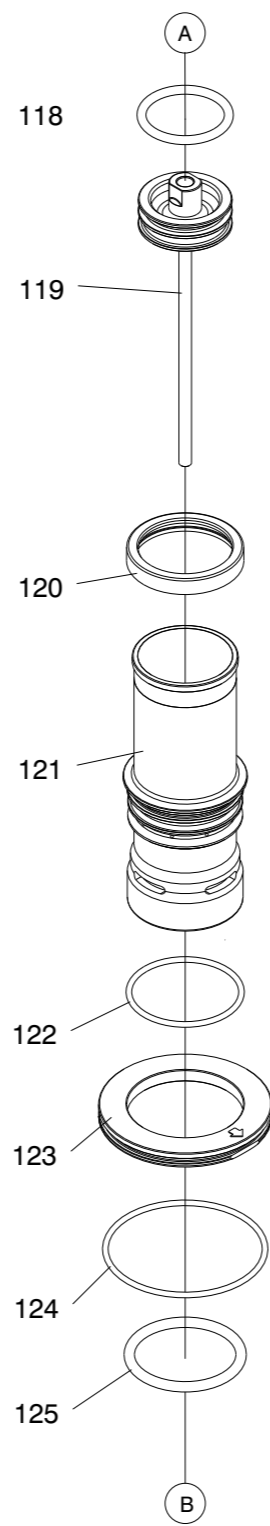
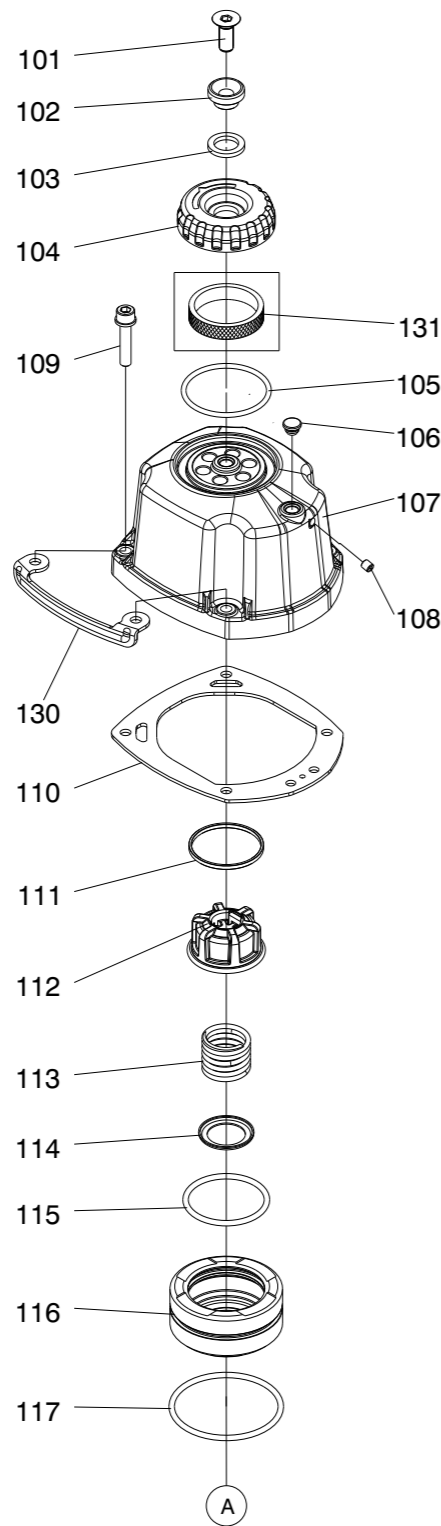
**CNW25**  
**CNW28**  
**CNW31**



195MCN3383\_CN3383\_A1\_rev20\_22/06/2021 IV

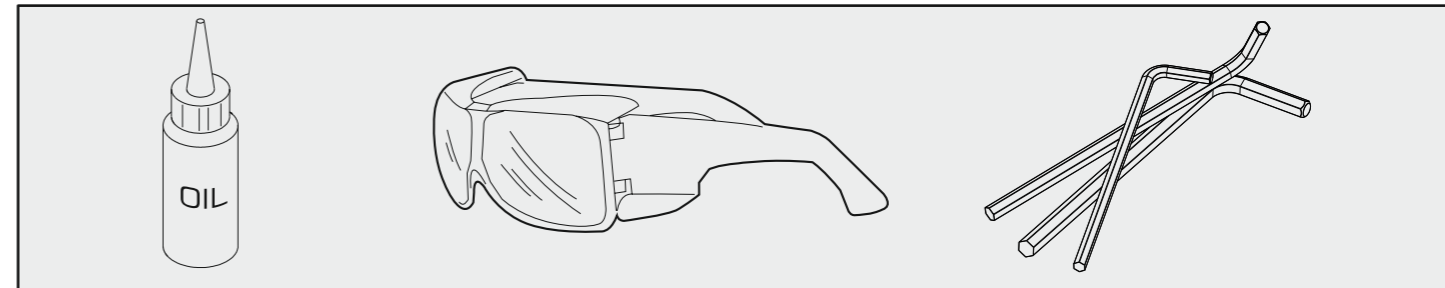
Ref. No. Part No. Description

101	2MCN3383-A101	Counter Sunk Screw
102	2MCN3383-A102	Washer
103	2MCN3165-A105	Rubber Pad
104	2MCN3383-A104	Deflector
105	2MCN3383-A105	O-Ring
106	2MCN2970-A103	Grommet
107	2MCN3383-A107	Cap
108	2MCN2970-A104	Hex. Soc. Hd. Screw
109	2MCN3390-A106	Bolt Assy
110	2MCN2970-A106	Cylinder Cap Seal
111	2MCN3383-A111	Washer Seal
112	2MCN3383-A112	Seal
113	2MCN2970-A108	Compression Spring
114	2MCN2970-A110	Washer
115	2MCN2970-A109	O-Ring
116	2MCN3383-A116	Hd. Valve Piston
117	2MCN2970-A112	O-Ring
118	2MCN2970-A113	O-Ring
119	2MCN3383-A119	Driver Unit
120	2MCN2970-A115	Collar
121	2MCN3383-A121	Cylinder
122	2MCN2970-A117	O-Ring
123	2MCN2970-A118	Cylinder Spacer
124	2MCN2970-A119	O-Ring
125	2MCN2970-A120	O-Ring
126	2MCN2970-A121	Bumper-A
127	2MCN2970-A122	Bumper-B
128	2MCN2970-A123	Grommet A
129	2MCN2970-A124	Door Shaft Pin
130	2MCN2970-A105	Guide Cover
131	2MCN3165-A104	Muffler
200	2MCN2970-A200	Trigger Valve Unit
201	2MCN2970-A201	O-Ring
202	2MCN2970-A202	Plunger Cap
203	2MCN2970-A203	O-Ring
204	2MCN3165-A205	O-Ring
205	2MCN2970-A205	Valve Plunger
206	2MCN3165-A206	O-Ring
207	2MCN2970-A207	Spring
208	2MCN2970-A208	O-Ring
209	2MCN2357-A208	Plunger
210	2MCN2970-A210	Trigger Valve Head
211	2MCN2970-A211	Pin
212	2MCN2970-A212	Cover-Plunger
213	2MCN2970-A213	O-Ring
214	2MCN2970-A214	O-Ring
215	2MCN2970-A215	Spring Pin
216	2MCN2970-A216	Secondary Trigger
217	2MCN2357-A217	Trigger
218	2MCN3165-A216	Spring Pin
219	2MCN2970-A219	Spring Pin
301	2MCN2970-A301	Gun Body Unit
302	2MCN2970-A302	O-Ring
303	2MCN2970-A303	End Cap
304	2MCN3165-A304	Dusty Cover
305	2MCN3165-A305	Air Plug
401	2MCN2970-A401	O-Ring
402	2MCN2970-A402	O-Ring
403	2MCN3383-A403	Nose Piece
404	2MCN2970-A404	Hex. Soc. Hd. Bolt
405	2MCN3390-A409	O-Ring
406	2MCN3383-A406	Feed Piston B
407	2MCN3383-A407	O-Ring
408	2MCN3383-A408	Feed Bumper
409	2MCN3383-A409	Bolt Assy
410	2MCN3383-A410	Pusher Spring
411	2MCN3383-A411	Feed Piston Cap
412	2MCN3383-A412	C-Ring
413	2MCN2970-A412	Hex. Soc. Hd. Bolt
414	2MCN2970-A413	Door Latch
415	2MCN3383-A415	Latch Spring
416	2MCN3383-A416	Door
417	2MCN2970-A416	Pu Retainer
418	2MCN3165-A211	Spring Pin
419	2MCN3383-A419	Stopper Finger Sprin
420	2MCN2970-A419	Nail Stop
421	2MCN2970-A420	Pin-Nail Stop
422	2MCN3383-A422	Safety
423	2MCN2970-A424	Safety Spring
424	2MCN2970-A425	Safety Guide
425	2MCN3383-A425	Magazine Case
426	2MCN3383-A426	Magaeing Post
427	2MCN3383-A427	Rubber Ring
428	2MCN2970-A429	Spring Base
429	2MCN3383-A429	Spacer
430	2MCN2970-A432	Spacer
431	2MCN3383-A431	Pull Spring
432	2MCN3383-A432	Magazine Cover



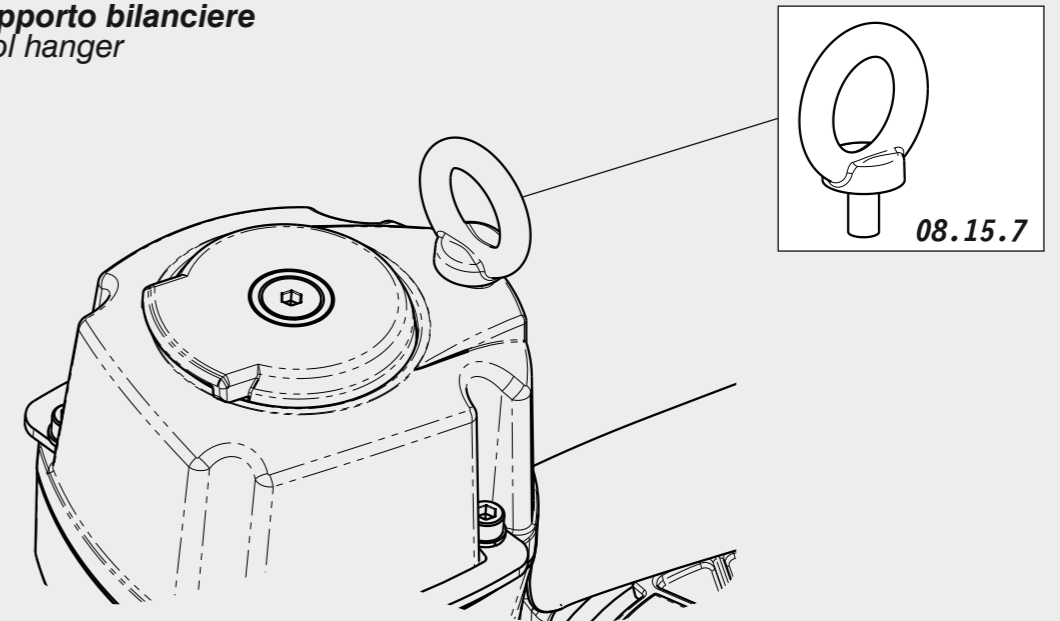
433	2MCN2970-A435	Pin Feed Piston
434	2MCN3383-A434	Feed Finger
435	2MCN3383-A435	Feed Piston
436	2MCN3383-A436	Feed Finger Spring
437	2MCN2970-A438	Hex. Soc. Hd. Bolt
438	2MCN3383-A438	Spring Cover
439	2MCN2970-A442	Bolt Cap
440	2MCN2970-A443	Magazine Shaft Pin
441	2MCN3383-A441	Spring Base A
442	2MCN3383-A442	Muzzle Protector
443	2MCN2357-A439	Protector Washer
444	2MCN2970-A422	Dust Shield Plug
445	2MCN3383-A445	Spring Washer
500	2MSN2213-K216	Sequential actuation KIT

Dotazioni - Equipment - Ausstattung - Outillage - Dotaciones - Εξοπλισμός  
Dotações - Uitrusting - Donanımlar



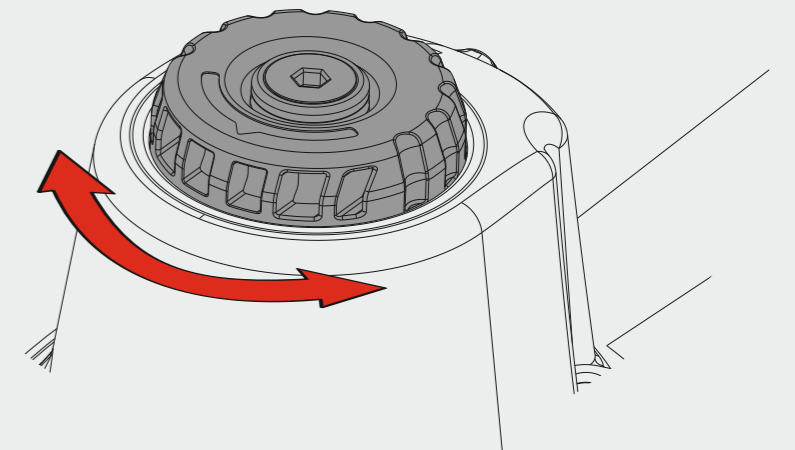
Accessori a richiesta - Upon request accessories

Supporto bilanciere  
Tool hanger

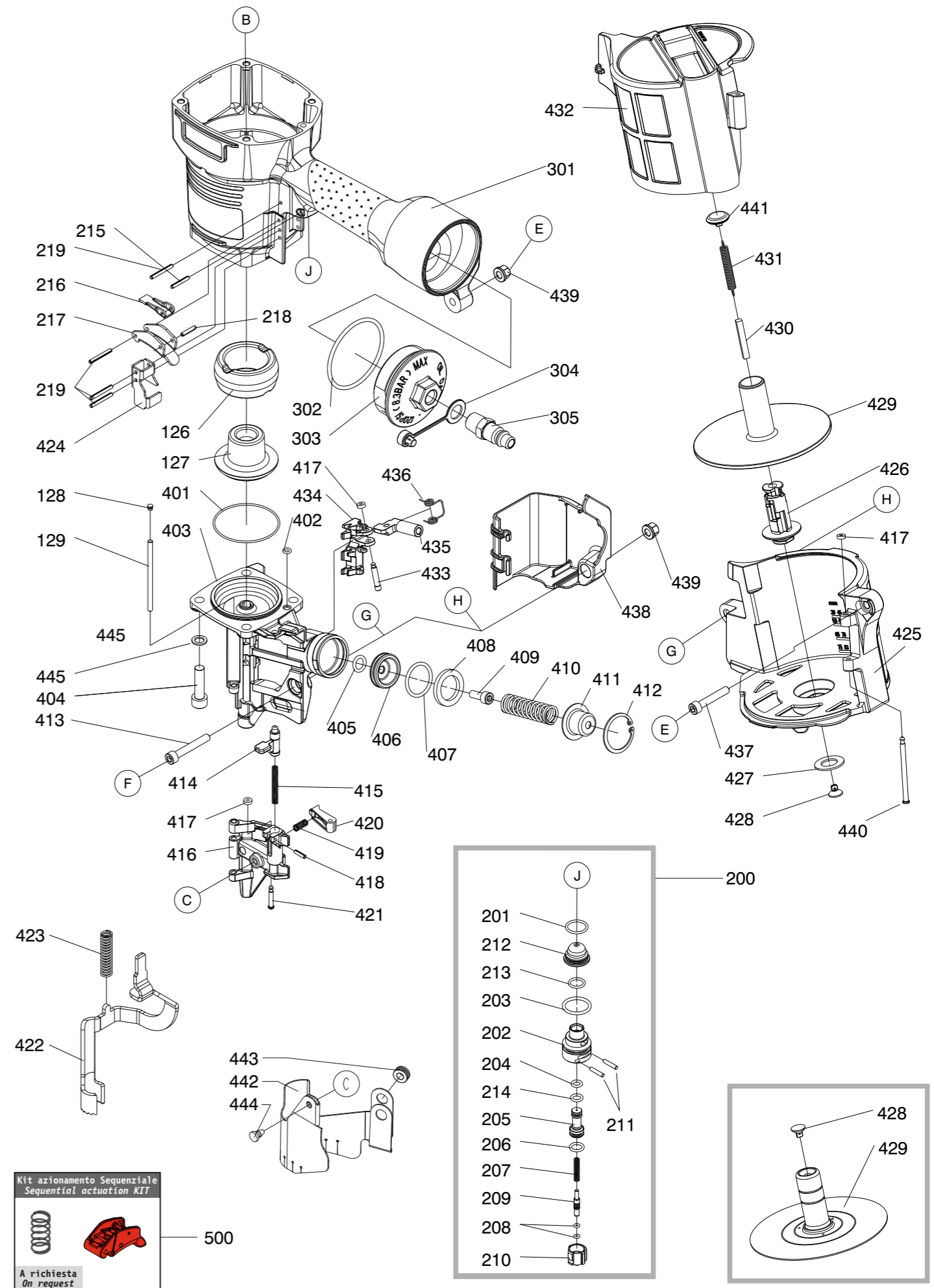
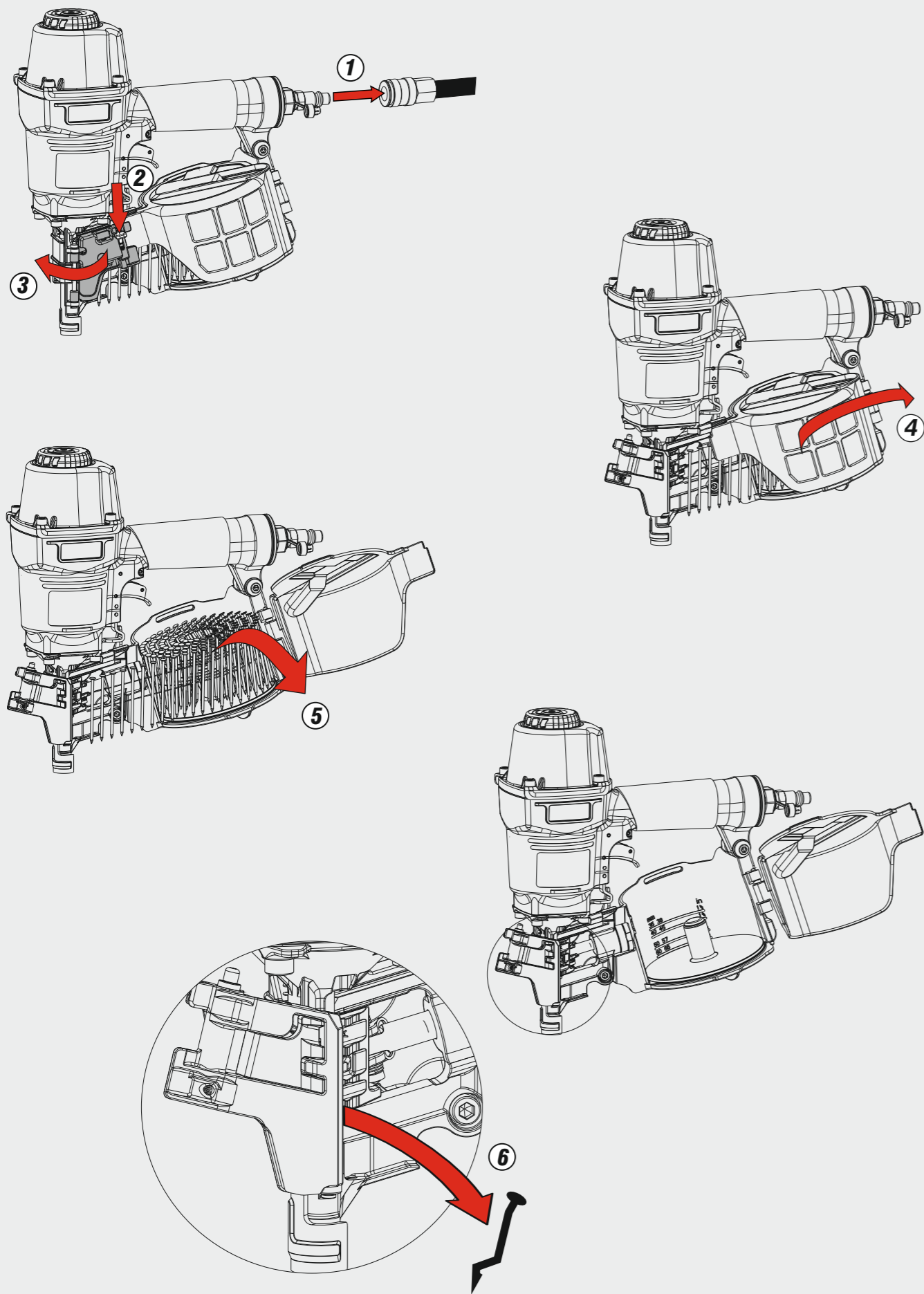


Caratteristiche - Features - Merkmale - Caractéristiques - Características - Χαρακτηριστικά - Características - Kenmerken - Özellikler

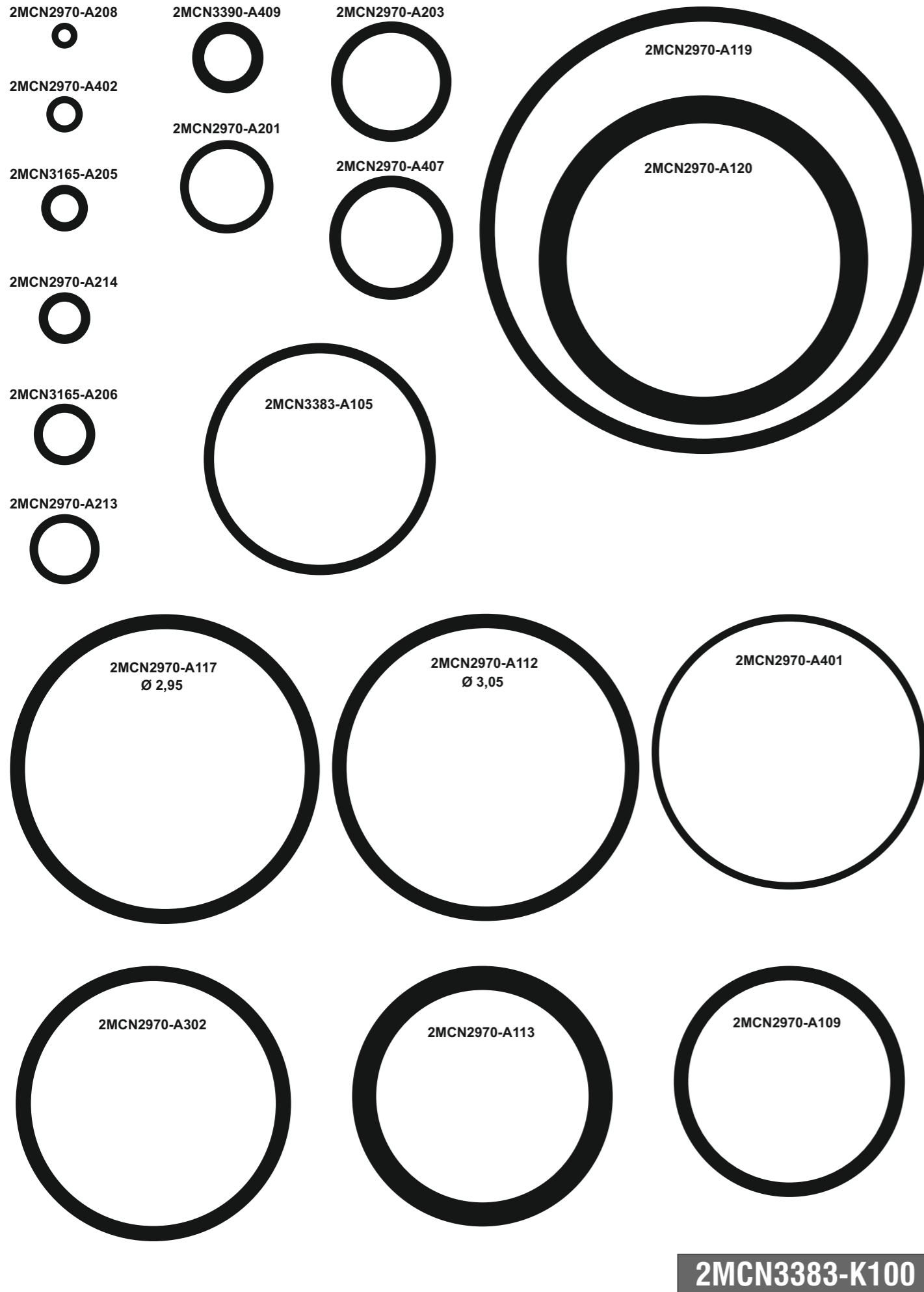
Scarico orientabile a 360°  
360° adjustable exhaust



Parti di ricambio - Spare parts - Ersatzteile - Pièces de rechange - Piezas de repuesto  
Ανταλλακτικά - Partes sobresselentes - Wisselstukken - Reservedele



Kit azionamento Sequenziale  
 Sequential actuation KIT  
 500  
 A richiesta  
 On request



**2MCN3383-K100**

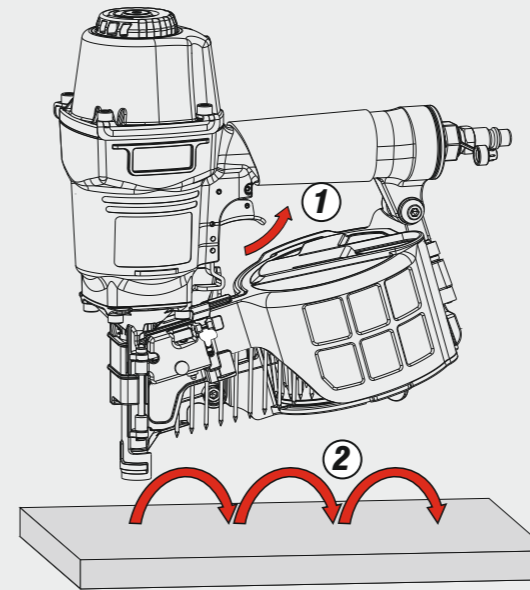


Di serie / Standard

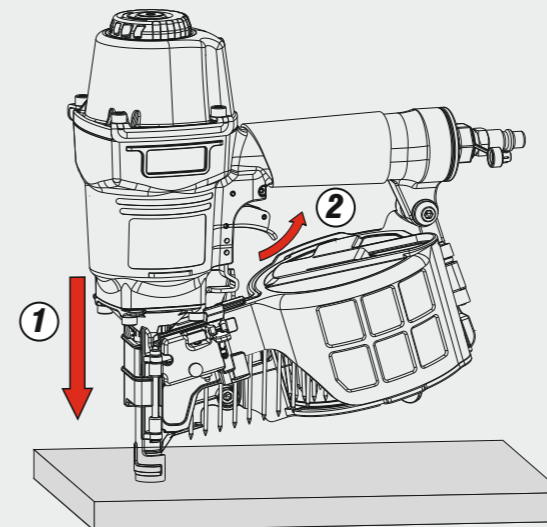


A richiesta / On request

**Azionamento a contatto**  
 Contact actuation



Oppure - Or



**Azionamento sequenziale singolo**  
 Single sequential actuation

