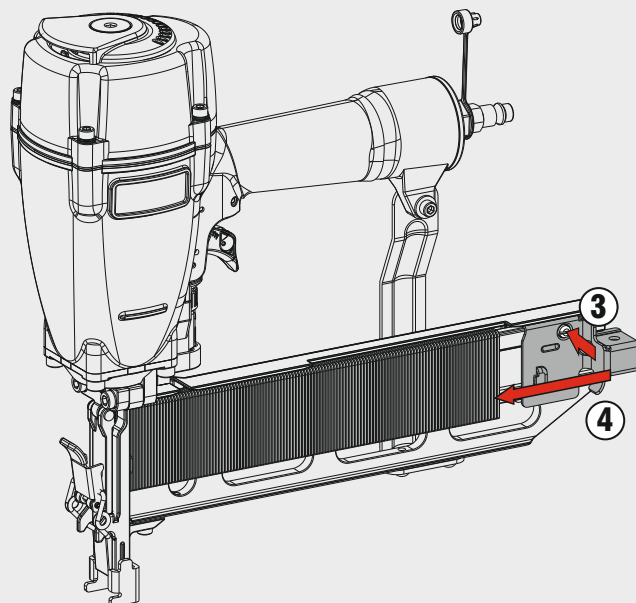
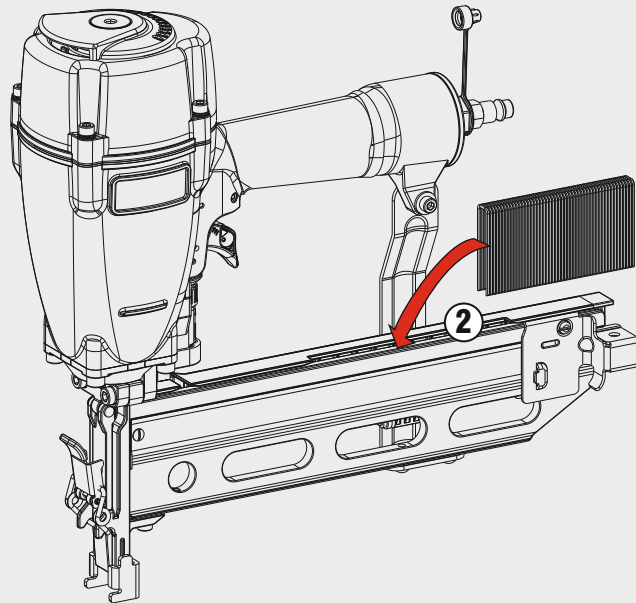
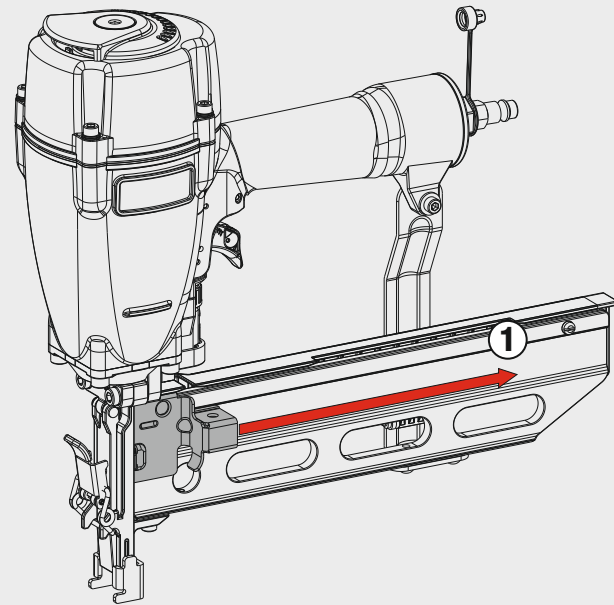


**Caricamento da sopra**  
Top load magazine



<b>Manuale d'uso, manutenzione e parti di ricambio</b>	<b>Parte 2</b>
<b>Manual for use, maintenance and spare parts</b>	<b>Part 2</b>
<b>Bedienungs- und Wartungshandbuch sowie Ersatzteilleiste</b>	<b>Teil 2</b>
<b>Mode d'emploi, de maintenance et pièces de rechange</b>	<b>Partie 2</b>
<b>Manual de uso, mantenimiento y recambios</b>	<b>Part 2</b>
<b>Εγχειρίδιο χρήσης, συντήρησης και ανταλλακτικών</b>	<b>Μέρος 2</b>
<b>Manual de uso, manutençao e peças sobresselentes</b>	<b>Parte 2</b>
<b>Handleiding voor gebruik, onderhoud en wisselstukken</b>	<b>Deel 2</b>
<b>Kullanım, bakım ve yedek parça kılavuzu</b>	<b>Kısım 2</b>



**M3.65**

cod. 195MM365A1

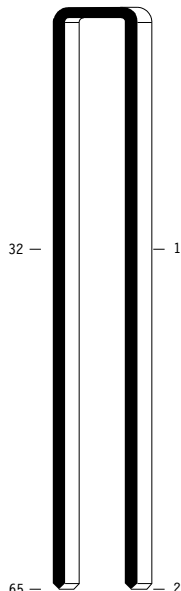


**Warning:** Please read the instructions and warnings for this tool carefully before use. Failure to do so could lead to serious injury.

Dati tecnici Technical data Technische Daten	Caractéristiques techniques Datos técnicos Τεχνικά χαρακτηριστικά	Dados técnicos Technische gegevens Teknik verier	
<b>Misure impiegabili mm</b> Lengths mm Verwendbare Nagellänge mm	Dimensions utiles mm Medidas de longitud mm Μήκος Αναλωσίμου - mm	Medidas utilizáveis mm Toepasbare afmetingen mm Boy mm	<b>32 ÷ 65</b>
<b>Capacità caricatore n° punti</b> Magazine capacity Magazinkapazität Nägel	Capacité chargeur n° de points Capacidad cargador n° puntos Δωνατοτητα γεμιστερα	Capacidade carregador n° pontos Capaciteit magazijn in aantal spijkers Dergi kapasitesi	<b>160</b>
<b>Pressione d'esercizio</b> Operating pressure Betriebsdruck	Pression d'exercice Presión de servicio Πίεση λειτουργίας	Pressão de serviço Werkdruk Çalışma basıncı	<b>5 ÷ 8 bar 70 ÷ 115 psi</b>
<b>Consumo aria litri/colpo</b> Air consumption litres/stroke Luftverbrauch Liter/Schuss	Consommation d'air litres/coup Consumo aire litros/golpe Κατανάλωση αέρα - λίτρα/βολή	Consumo ar litros/disparo Luchtverbruik liter/slag Litre/vuruş hava tüketimi	<b>1,25</b>
<b>Peso kg</b> Weight kg Gewicht kg	Poids kg Peso kg Βάρος - kg	Peso kg Gewicht in kg Ağırlık kg	<b>2,50</b>
<b>Dimensioni mm</b> Dimensions mm Abmessungen mm	Dimensions mm Dimensiones mm Διαστάσεις mm	Dimensões mm Afmetingen mm Boyutlar mm	<b>369x98x338</b> (LxWxH)
<b>UNI EN 12549 :2009</b> <b>UNI EN ISO 4871 :2009</b>			
<b>Pressione sonora in pos. operatore</b> Sound pressure in operator's position Schalldruck am Arbeitsplatz	Pression sonore poste Opérateur Presión sonora en la pos. del operador Ηχητική πίεση στη θέση του Χειριστή	Pressão sonora na posição Operador Geluidsdruk op de werkplaats Operatör pozisyonunda ses basıncı	<b>87 dB(A)</b> (K= 2,5 dB)
<b>UNI EN 12549 :2009</b> <b>UNI EN ISO 3746 :2011</b> <b>UNI EN ISO 4871 :2009</b>			
<b>Potenza sonora emessa</b> Sound power emitted Emittierte Schalleistung	Puissance sonore émise Potencia sonora emitida Εκπεμπόμενη ηχητική ισχύς	Potência sonora emitida Geëmitteerd geluidsvermogen Çıkan ses gücü (ses desibel)	<b>93,6 dB(A)</b> (K= 2,5 dB)
<b>UNI CEN ISO/TS 8662-11 :2006</b> <b>UNI EN ISO 5349-2 :2004</b> <b>UNI EN 12096 :1999</b>			
<b>Emissione vibratoria sull'impugnatura</b> Vibratory emissions on handle Vibrationsemission am Griff	Émission vibratoire sur la prise en main Emisión de vibraciones en la empuñadura Εκπεμπόμενες δονήσεις στη λαβή	Emissão vibratória na empunhadura Trillingsemissie op de handgreep Tutamak üzerinde vibrasyon emisyonları	<b>3,17 m/s<sup>2</sup></b> (K= 1,58 m/s <sup>3</sup> )

**M3**

1,60x1,90

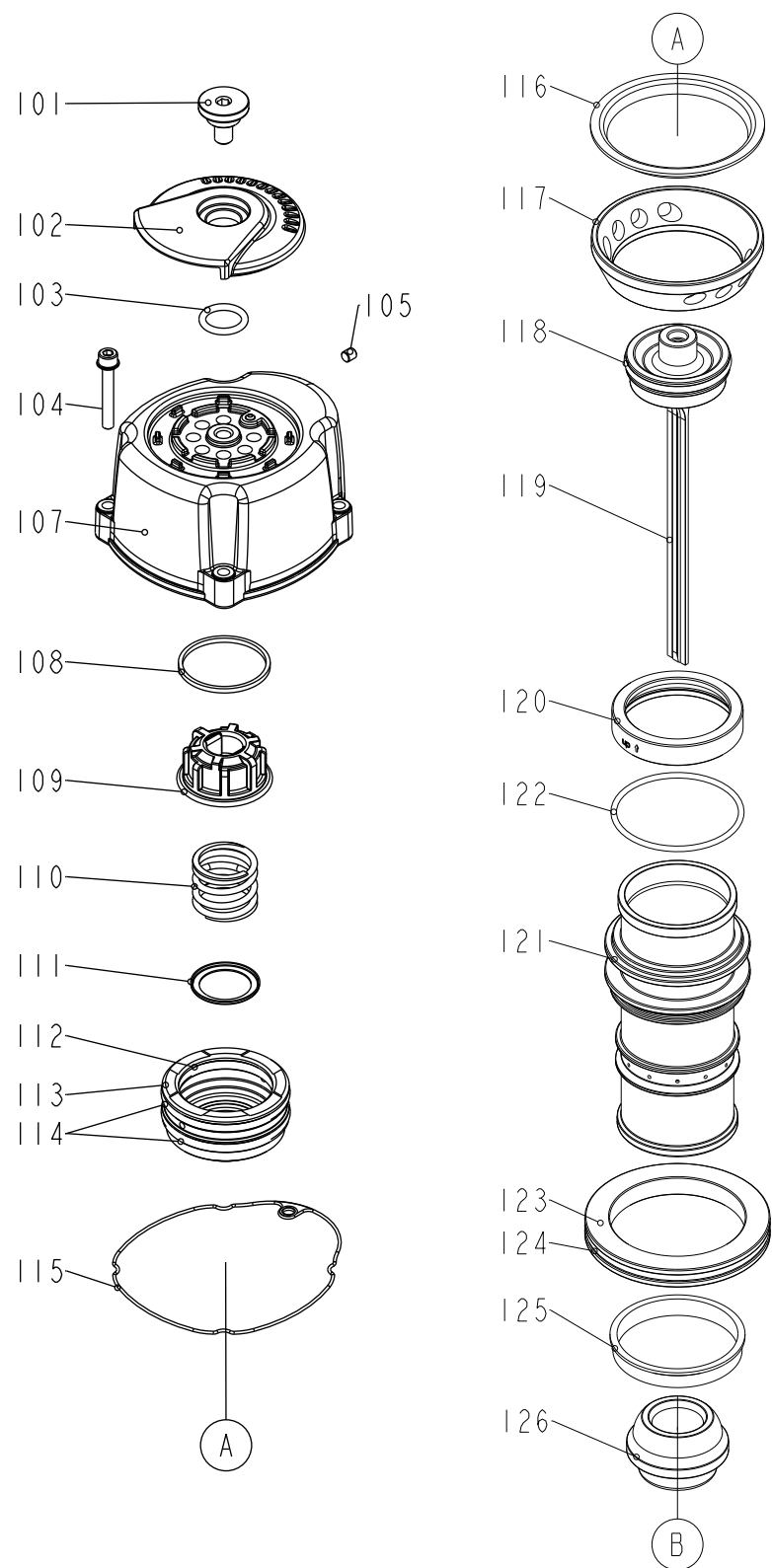


Gauge: 15  
Crown: .437" (7/16")

195MM365A1\_M365\_A1\_rev20\_22/02/2022 FL

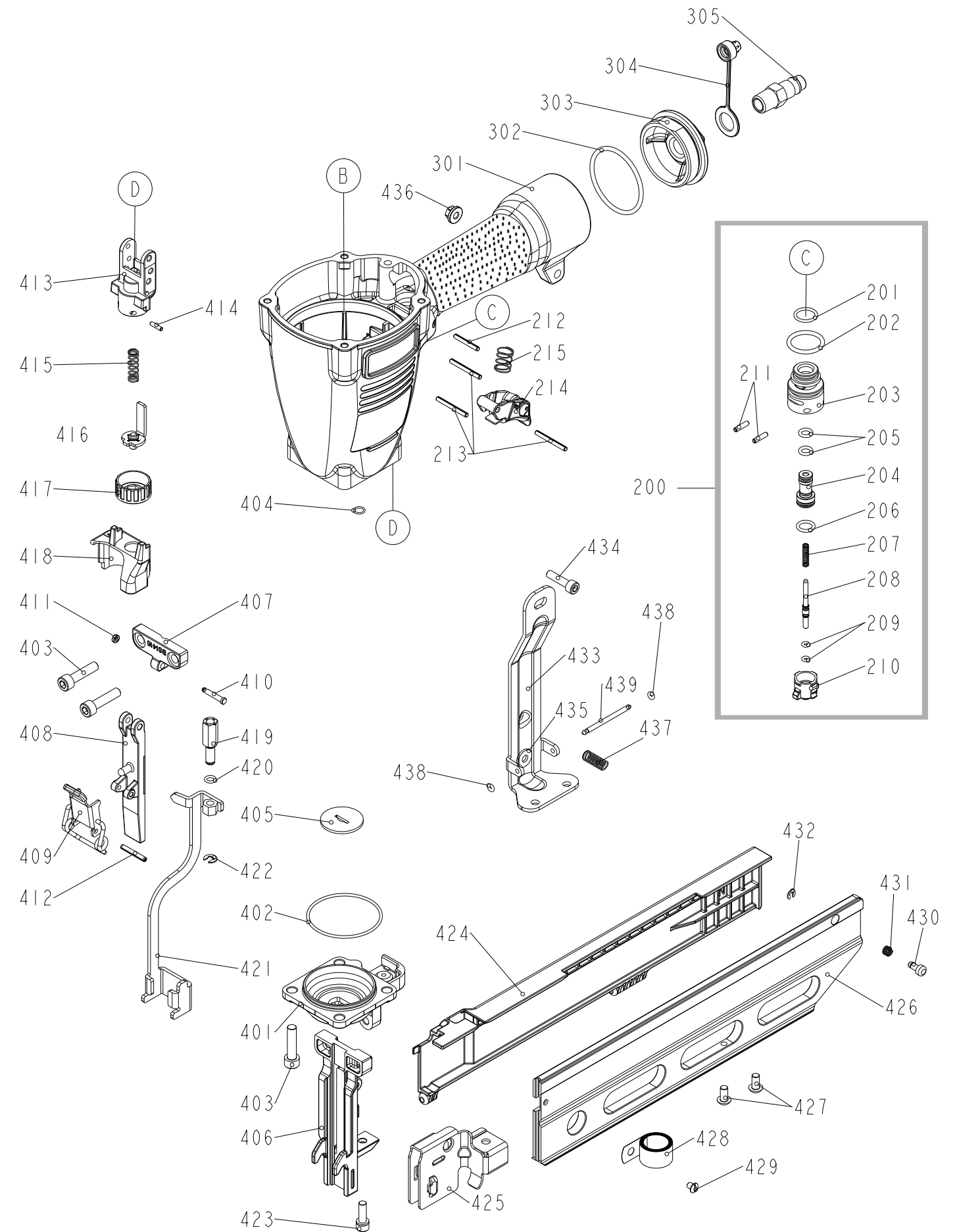
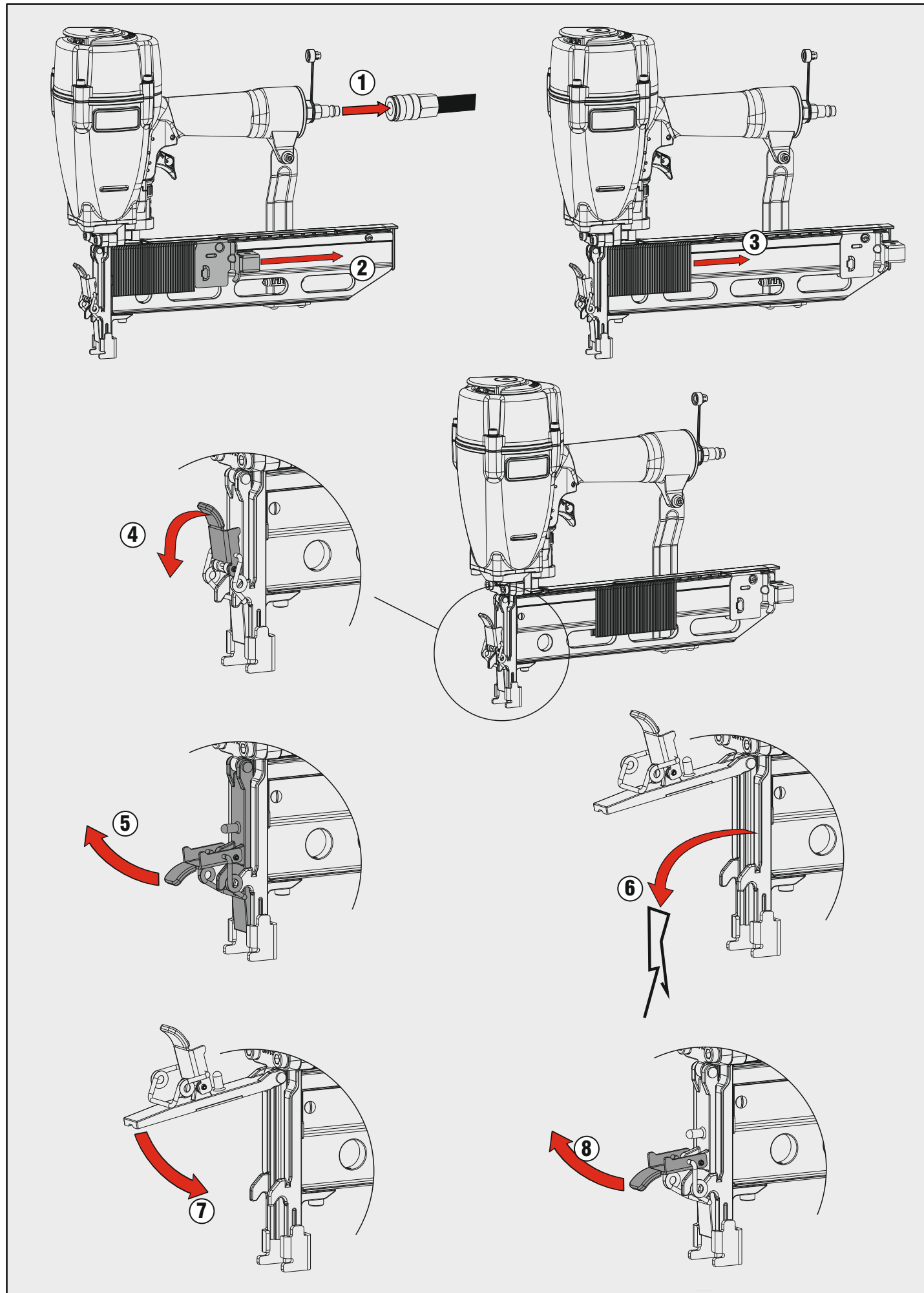
Ref. No. Part No. Description

101	2MM365-A101	Deflector Pad
102	2MM365-A102	Deflector
103	2MM365-A103	O-Ring
104	2MM365-A104	Bolt W/Flat Washer
105	2MCN2970-A104	Hex. Soc. Hd. Screw
107	2MM365-A107	Cap
108	2MCN2357-A111	Washer Seal
109	2MCN2357-A112	Seal
110	2MM365-A110	Compression Spring
111	2MCN2357-A116	Washer
112	2MCN2970-A109	O-Ring
113	2MM365-A113	Hd. Valve Piston
114	2MCN2357-A114	O-Ring
115	2MM365-A115	Packing
116	2MM365-A116	Press Ring
117	2MM365-A117	Cylinder Press Ring
118	2MM365-A118	O-Ring
119	2MM365-A119	Driver Unit
120	2MM365-A120	Collar
121	2MM365-A121	Cylinder
122	2MM365-A122	O-Ring
123	2MM365-A123	Cylinder Spacer
124	2MM365-A124	O-Ring
125	2MM365-A125	Cylinder Ring
126	2MCN3165-A124	Bumper
200	2MCN3165-A200	Trigger Valve Unit
201	2MCN3165-A201	O-Ring
202	2MCN3165-A202	O-Ring
203	2MCN3165-A203	Plunger Cap
204	2MCN3165-A204	Valve Plunger
205	2MCN3165-A205	O-Ring
206	2MCN3165-A206	O-Ring
207	2MCN3165-A207	Spring
208	2MCN2550-A208	Plunger
209	2MCN3165-A209	O-Ring
210	2MCN3165-A210	Trigger Valve Head
211	2MCN3165-A211	Spring Pin
212	2MCN3165-A212	Spring Pin
213	2MCN3165-A213	Spring Pin
214	2MCN2550-A215	Trigger Unit
215	2MCN2550-A214	Spring
301	2MM365-A301	Gun Body Unit
302	2MCN3165-A303	O-Ring
303	2MCN3165-A302	End Cap
304	2MCN3165-A304	Dusty Cover
305	2MCN3165-A305	Air Plug
401	2MM365-A401	Base
402	2MCN3165-A402	O-Ring
403	2MCN3165-A429	Hex. Soc. Hd. Bolt
404	2MCN3165-A458	O-Ring
405	2MM365-A405	Driver Guide
406	2MM365-A406	Driver Guide
407	2MM365-A407	Driver Guide Cover
408	2MM365-A408	Driver Guide Cover
409	2MM365-A409	Lock Handle Unit
410	2MM365-A410	Feed Finger Plug
411	2MCN3165-A414	Pu Retainer
412	2MM365-A412	Spiral Pins
413	2MCN3165-A432	Safety Guide
414	2MCN3165-A433	Spring Pin
415	2MCN3165-A434	Safety Spring
416	2MM365-A416	Safety B
417	2MCN3165-A436	Adjust Axle
418	2MCN3165-A437	Cover-Safety
419	2MCN3165-A438	Adjust Rod
420	2MCN3165-A439	O-Ring
421	2MM365-A421	Safety
422	2MCN3165-A441	E-Ring
423	2MM365-A423	Bolt Assy
424	2MM365-A424	Mounting Bracket
425	2MM365-A425	Pusher
426	2MM365-A426	Magazine A
427	2MM365-A427	Half Round Hd. Hex. Bolt
428	2MM365-A428	Spring
429	2MM365-A429	Special Screw
430	2MS29130-A439	Door Latch
431	2MS29130-A438	Latch Spring
432	2MS29130-A435	E-Ring
433	2MM365-A433	Positioning Sheet
434	2MCN3165-A428	Hex. Soc. Hd. Bolt
435	2MCN3165-A452	Flat Washer
436	2MCN3165-A431	Bolt Cap
437	2MM365-A437	Safety Spring
438	2MM365-A438	O-Ring
439	2MM365-A439	Hinge Point



Note - Notes - Hinweise - Remarques - Notas - Σημειώσεις - Observações - Opmerkingen - Notlar

Parti di ricambio - Spare parts - Ersatzteile - Pièces de rechange - Recambios  
Ανταλλακτικά - Partes sobresselentes - Wisselstukken - Yedek parçalar



M3.65

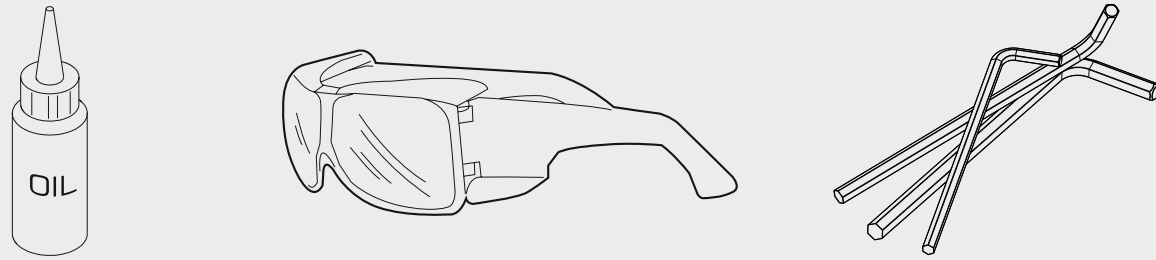
cod. 195MM365A1

Indice di modifica  
 Upgrade number

A1

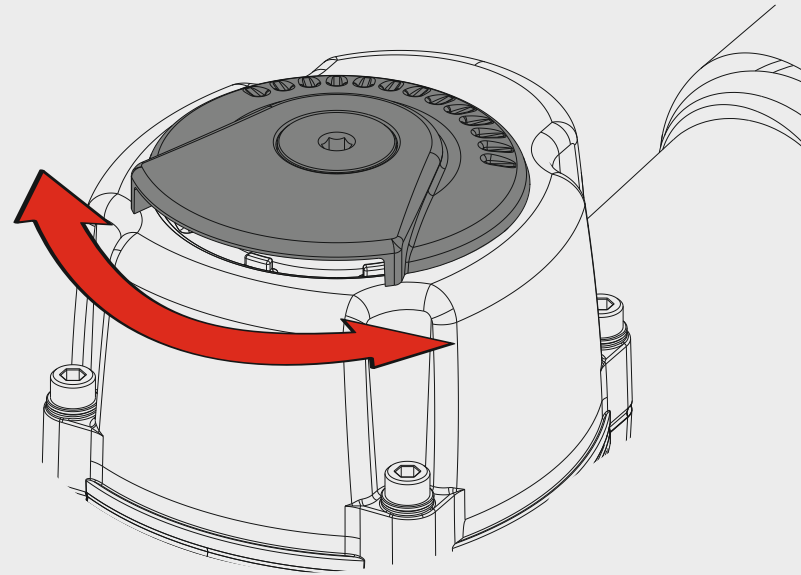


Dotazioni - Equipment - Ausstattung - Outillage - Dotaciones - Εξοπλισμός  
Dotações - Uitrusting - Donanımlar

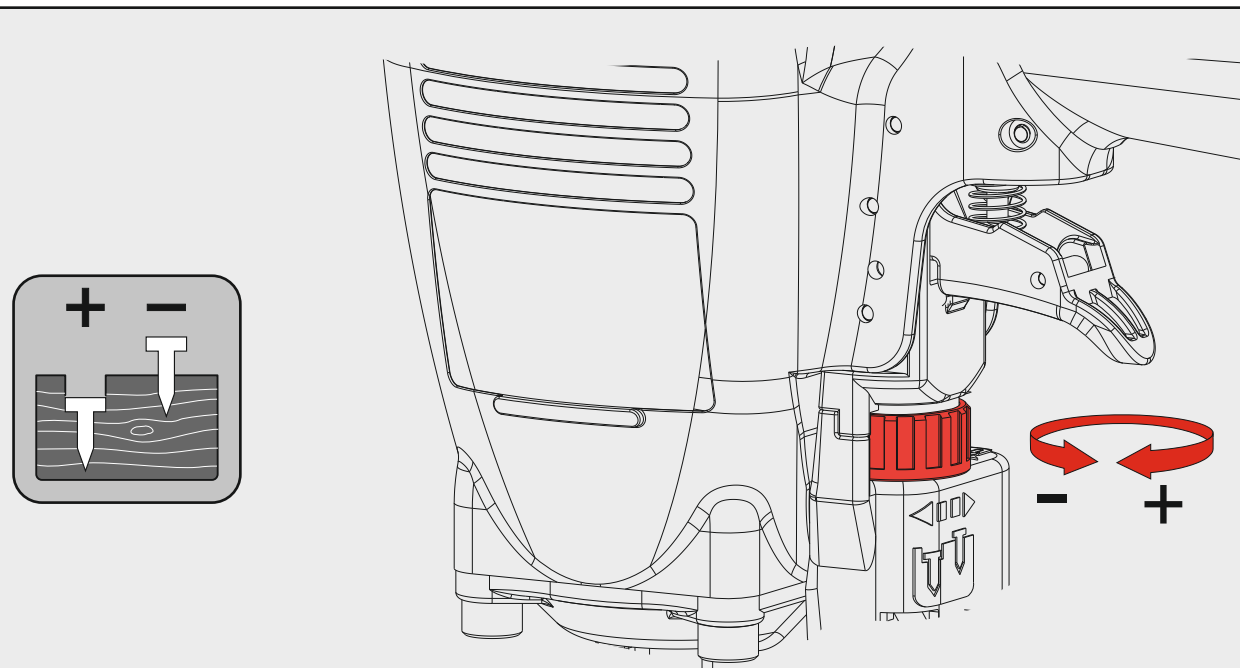


Caratteristiche - Features - Merkmale - Caractéristiques - Características - Χαρακτηριστικά - Características - Kenmerken - Özellikler

**Scarico orientabile a 360°**  
360° adjustable exhaust

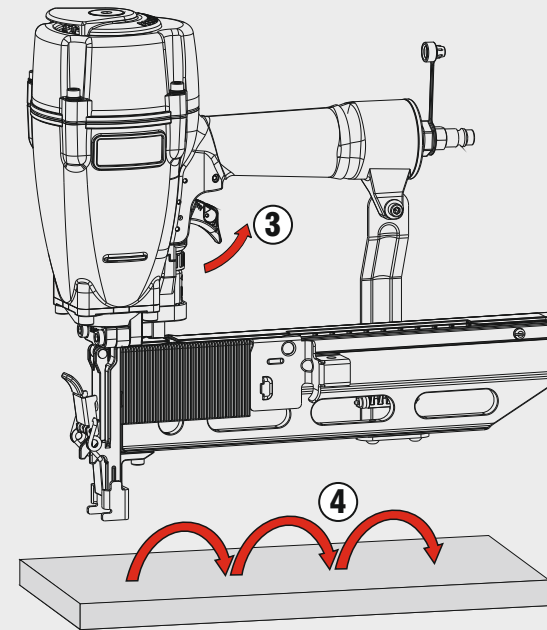
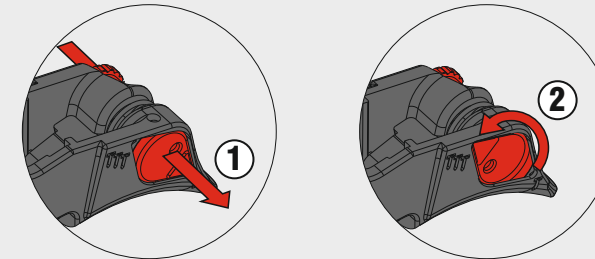


Regolazione di profondità - Depth adjustment - Tiefeneinstellung - Réglage des dimensions - Réglage des dimensions  
Ρύθμιση βάθους - Regulação de profundidade - Diepte afstelling - Derinlik ayarı

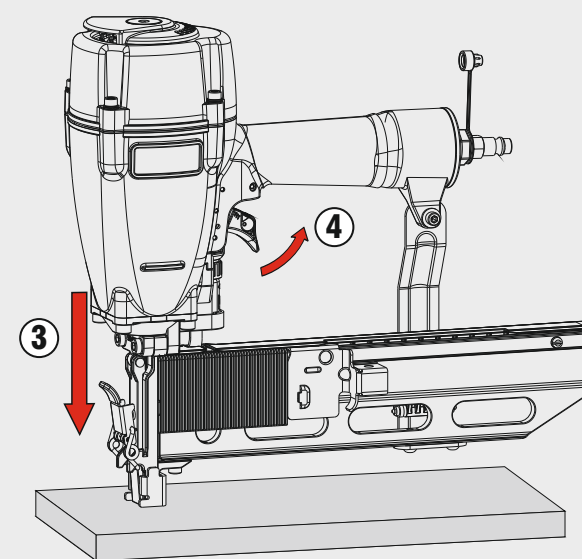


Azionamento - Actuation - Auslösung - Actionnement - Accionamiento - Ενεργοποίηση - Acionamento - Activering - Çalıştırma

**Azionamento a contatto**  
Contact actuation



**Oppure - Or**



**Azionamento sequenziale singolo**  
Single sequential actuation

