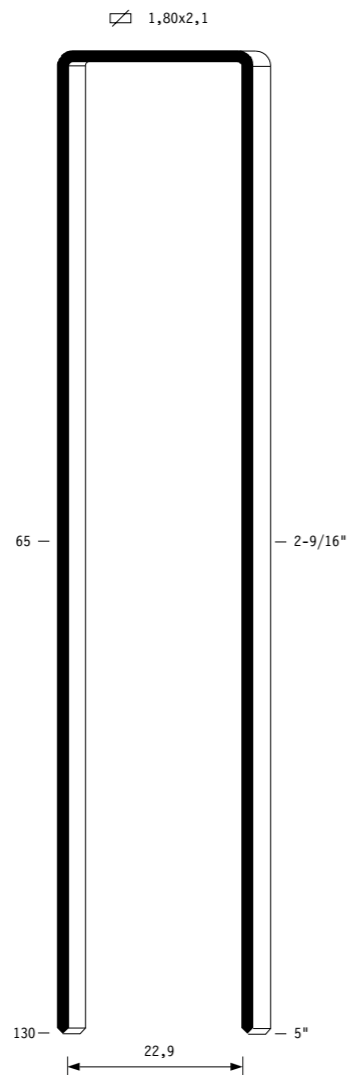
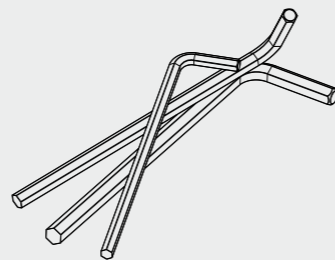
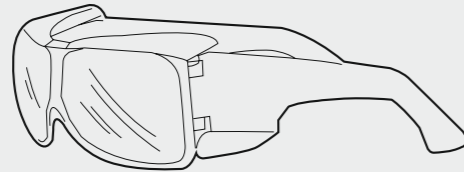
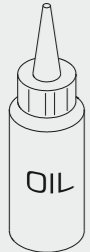


S29

Gauge: 14
 Crown: 1.043" (1")

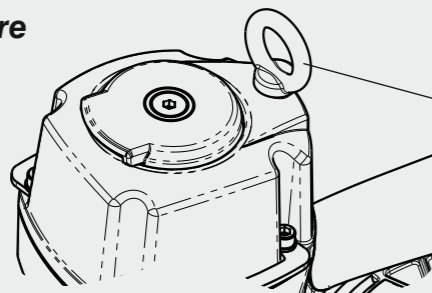


Dotazioni - Equipment - Ausstattung - Outillage - Dotaciones - Εξοπλισμός
 Dotações - Uitrusting - Donanımlar - Utrustning



Accessori a richiesta - Upon request accessories

Supporto bilanciata
 Tool hanger



Manuale d'uso, manutenzione e parti di ricambio	Parte 2
Manual for use, maintenance and spare parts	Part 2
Bedienungs- und Wartungshandbuch sowie Ersatzteilleiste	Teil 2
Mode d'emploi, de maintenance et pièces de rechange	Partie 2
Manual de uso, mantenimiento y recambios	Part 2
Εγχειρίδιο χρήσης, συντήρησης και ανταλλακτικών	Μέρος 2
Manual de uso, manutenção e peças sobresselentes	Parte 2
Handleiding voor gebruik, onderhoud en wisselstukken	Deel 2
Kullanım, bakım ve yedek parça kılavuzu	Kısım 2
Användar-, underhålls- och reservdelshandbok	Del 2



S29.130

cod. 195MS29130A1

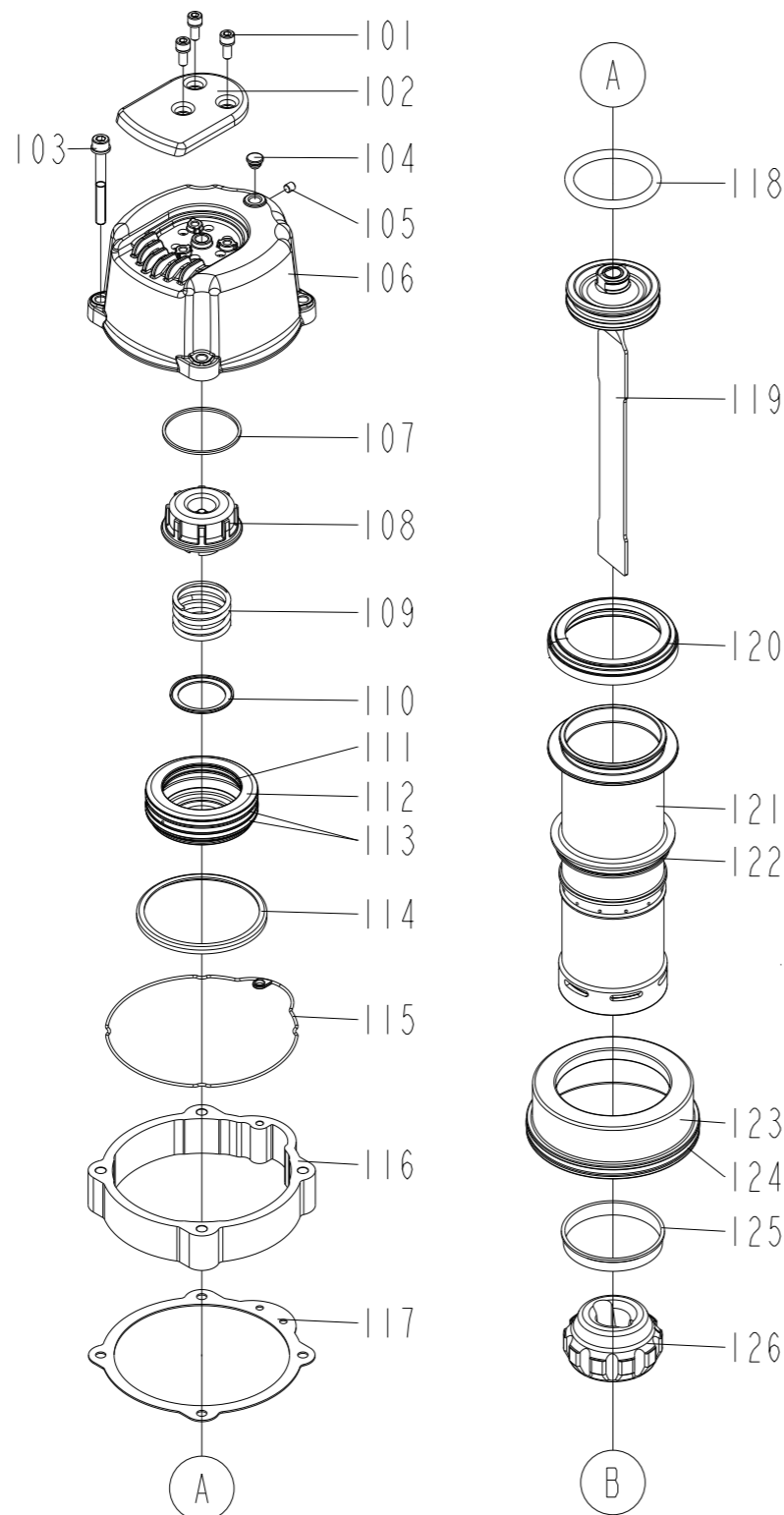


Dati tecnici Technical data Technische Daten Tekniska data	Caractéristiques techniques Datos técnicos Τεχνικά χαρακτηριστικά	Dados técnicos Technische gegevens Teknik veriler
Misure impiegabili Lengths Verwendbare Nagellänge Dimensioner som kan användas	Dimensions utiles Medidas de longitud Μήκος Αναλωσίμου	Medidas utilizáveis Toepasbare afmetingen Boy
		65 ÷ 130
Capacità caricatore n° punti Magazine capacity Magazinkapazität: Nägel Magasinkapacitet: Antal punkter	Capacité chargeur n° de points Capacidad cargador n° puntos Δωνατοτητα γεμιστερα	Capacidade carregador n° pontos Capaciteit magazijn in aantal spijkers Dergi kapasitesi
		120
Pressione d'esercizio Operating pressure Betriebsdruck Drifttryck	Pression d'exercice Presión de servicio Πίεση λειτουργίας	Pressão de serviço Werkdruk Çalışma basıncı
		5 ÷ 8 bar 70 ÷ 115 psi
Consumo aria Air consumption Luftverbrauch Luftförbrukning	Consommation d'air Consumo aire Κατανάλωση αέρα	Consumo ar Luchtverbruik Hava tüketimi
		2,93
Peso Weight Gewicht Vikt	Poids Peso Βάρος	Peso Gewicht Ağırlık
		5,85
Dimensioni Dimensions Abmessungen Dimensioner (AxBxH)	Dimensions Dimensiones Διαστάσεις	Dimensões Afmetingen Boyutlar
		400x133x397 (LxWxH)
EN 12549 :2009 EN ISO 4871 :2009		
Pressione sonora in pos. operatore Sound pressure in operator's position Schalldruck am Arbeitsplatz Ljudtryck på operatörsplatsen	Pression sonore poste Opérateur Presión sonora en la pos. del operador Ηχητική πίεση στη θέση του χειριστή	Pressão sonora na posição Operador Geluidsdruk op de werkplaats Operatör pozisyonunda ses basıncı
		96,7 dB(A) (K = 2,5 dB)
EN 12549 :2009 EN ISO 3746 :2011 EN ISO 4871 :2009		
Potenza sonora emessa Sound power emitted Emitierte Schalleistung Avgiven ljudeffekt	Puissance sonore émise Potencia sonora emitida Εκπεμπόμενη ηχητική ισχύς	Potência sonora emitida Geëmitteerd geluidsvermogen Çıkan ses gücü (ses desibel)
		103,3 dB(A) (K = 2,5 dB)
CEN ISO/TS 8662-11 :2006 EN ISO 5349-2 :2004 EN 12096 :1999		
Emissione vibratoria sull'impugnatura Vibratory emissions on handle Vibrationsemission am Griff Vibrationsemission på handtaget	Émission vibratoire sur la prise en main Emisión de vibraciones en la empuñadura Εκπεμπόμενες δονήσεις στη λαβή	Emissão vibratória na empunhadura Trillingsemissie op de handgreep Tutamak üzerindeki vibrasyon emisyonları
		2,86 m/s² (K = 1,43 m/s ²)

195MS29130A1_S29130_A1_rev21_28/03/2023 DV

Ref. No. Part No. Description

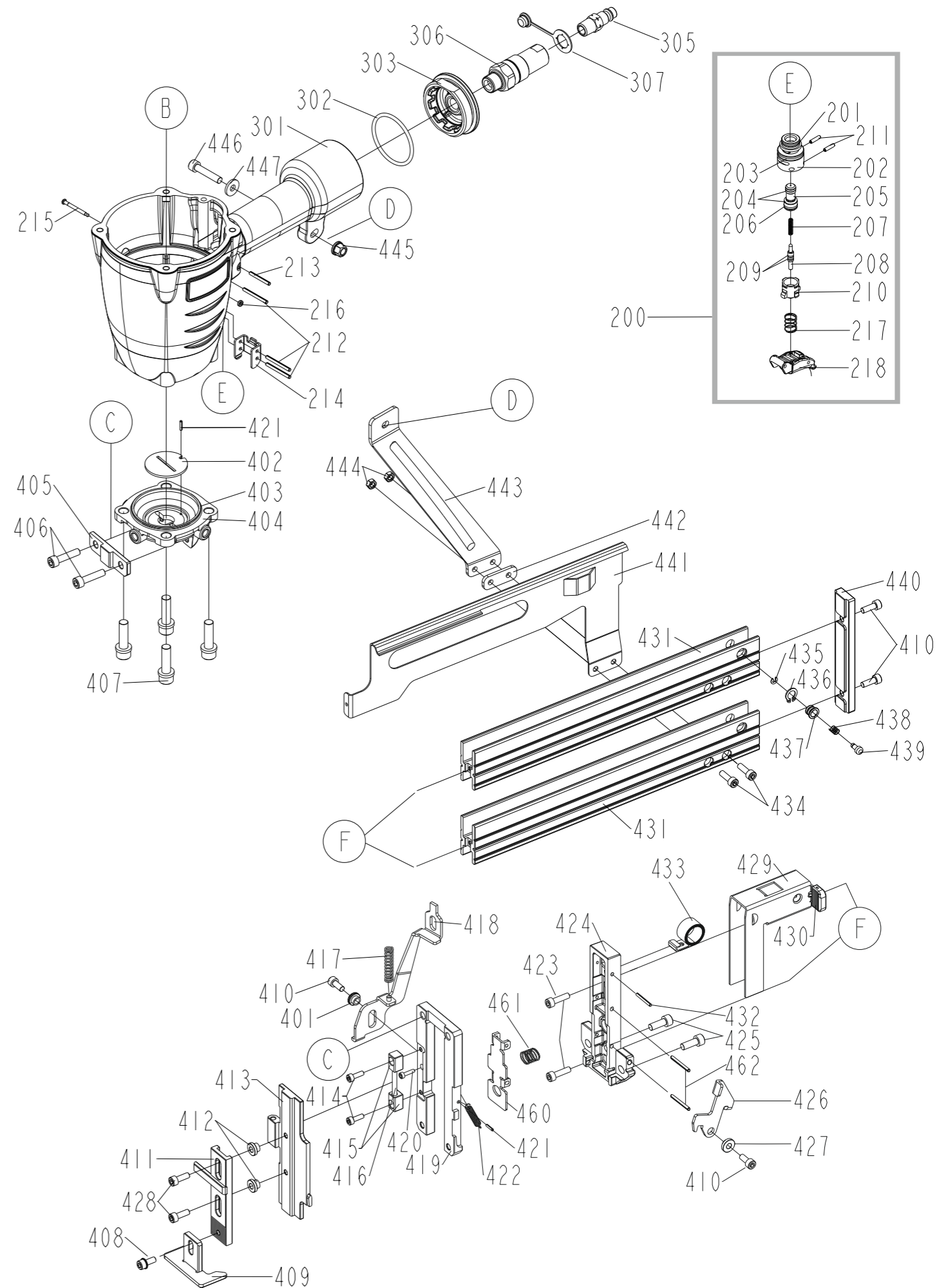
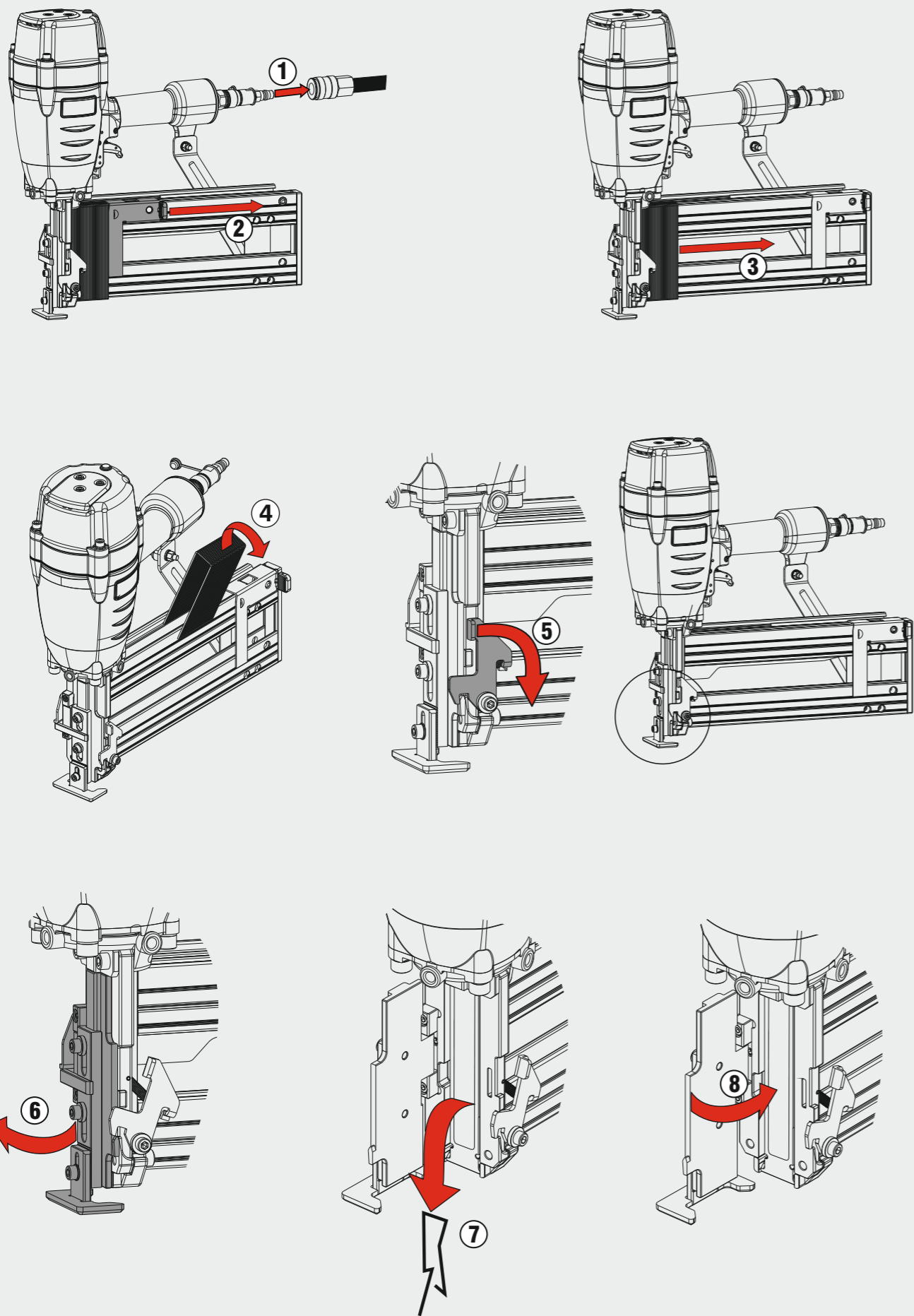
101	2MS29130-A101	Bolt Assy
102	2MS29130-A102	Deflector
103	2MS29130-A103	Bolt Assy
104	2MS29130-A104	Grommet
105	2MS29130-A105	Hex. Soc. Hd. Screw
106	2MS29130-A106	Cap
107	2MS29130-A107	Gasket
108	2MS29130-A108	Seal
109	2MS29130-A109	Compression Spring
110	2MS29130-A110	Washer
111	2MS29130-A111	O-Ring
112	2MS29130-A112	Hd. Valve Piston
113	2MS29130-A113	O-Ring
114	2MCN3390-A131	Press Ring
115	2MS29130-A115	Cylinder Cap Seal
116	2MS29130-A116	Cap
117	2MS29130-A117	Gasket
118	2MS29130-A118	O-Ring
119	2MS29130-A119	Driver Unit
120	2MS29130-A120	Collar
121	2MS29130-A121	Cylinder
122	2MS29130-A122	O-Ring
123	2MS29130-A123	Cylinder Spacer
124	2MS29130-A124	O-Ring
125	2MCN3390-A127	Cylinder Ring
126	2MS29130-A126	Bumper
200	2MCN3165-A200	Trigger Valve Unit
201	2MCN3165-A201	O-Ring
202	2MCN3165-A203	Plunger Cap
203	2MCN3165-A202	O-Ring
204	2MCN3165-A205	O-Ring
205	2MSN3165-A204	Valve Plunger
206	2MCN3165-A206	O-Ring
207	2MCN3165-A207	Spring
208	2MCN2550-A208	Plunger
209	2MCN3165-A209	O-Ring
210	2MCN3165-A210	Trigger Valve Head
211	2MCN3165-A211	Spring Pin
212	2MCN3165-A213	Spring Pin
213	2MA34100-A442	Spring Pin
214	2MS29130-A214	Safety Guide
215	2MCN3390-A216	Trigger Pivot Pin
216	2MCN3165-A416	Urethane Retainer
217	2MCN2550-A214	Spring
218	2MS29130-A218	Trigger Unit
301	2MS29130-A301	Gun Body Unit
302	2MCN3165-A120	O-Ring
303	2MS29130-A303	End Cap
305	2MCN3165-A305	Air Plug
306	2MS29130-A306	Valve Unit
307	2MCN3165-A304	Dusty Cover
401	2MS29130-A401	Latch Spring Bushing
402	2MS29130-A402	Driver Guide
403	2MS29130-A403	O-Ring
404	2MS29130-A404	Base
405	2MS29130-A405	Driver Guide Cover
406	2MCN3165-A429	Hex. Soc. Hd. Screw
407	2MCN3390-A404	Bolt Assy
408	2MS29160-A408	Bolt Flat Washer
409	2MS29130-A409	Safety Unit
410	2MCN3165-A101	Hex. Soc. Hd. Bolt
411	2MS29130-A411	Anchor
412	2MS29130-A412	Latch Spring Bushing
413	2MS29130-A413	Driver Guide Cover
414	2MS29130-A414	Hex. Soc. Hd. Bolt
415	2MS29130-A415	Anchor Block
416	2MS29130-A416	Pin
417	2MS29130-A417	Safety Spring
418	2MS29130-A418	Safety B Unit
419	2MS29130-A419	Driver Guide
420	2MS29160-A420	Hex. Soc. Hd. Bolt
421	2MS29130-A421	Spring Pin
422	2MS29130-A422	Pull Spring
423	2MS29130-A423	Hex. Soc. Hd. Bolt
424	2MS29130-A424	Driver Guide
425	2MS29130-A425	Hex. Soc. Hd. Bolt
426	2MS29130-A426	Latch
427	2MS29130-A427	Latch Spring Bushing
428	2MS29130-A428	Hex. Soc. Hd. Bolt
429	2MS29130-A429	Pusher
430	2MS29130-A430	Pusher Cushion
431	2MS29130-A431	Magazine A
432	2MS29130-A432	Spring Pin
433	2MS29130-A433	Spring Unit



434	2MS29130-A434	Hex. Soc. Hd. Bolt
435	2MS29130-A435	E-Ring
436	2MS29130-A436	Snap Ring
437	2MS29130-A437	Door Latch Cover
438	2MS29130-A438	Latch Spring
439	2MS29130-A439	Door Latch
440	2MS29130-A440	Rear Plate
441	2MS29130-A441	Staplers Bracket
442	2MS29130-A442	Gasket
443	2MS29130-A443	Bracket Unit
444	2MCN3165-A454	Lock Nut
445	2MCN2970-A442	Bolt Cap
446	2MSN2913-A408	Hex. Soc. Hd. Bolt
447	2MSN2913-A409	Flat Washer
460	2MS29130-A460	Guide
461	2MS29130-A461	Spring
462	2MCN3165-A212	Spring Pin

Note - Notes - Hinweise - Remarques - Notas - Σημειώσεις - Observações - Opmerkingen - Notlar - Anteckningar

Parti di ricambio - Spare parts - Ersatzteile - Pièces de rechange - Recambios
Ανταλλακτικά - Partes sobresselentes - Wisselstukken - Yedek parçalar - Reservdelar

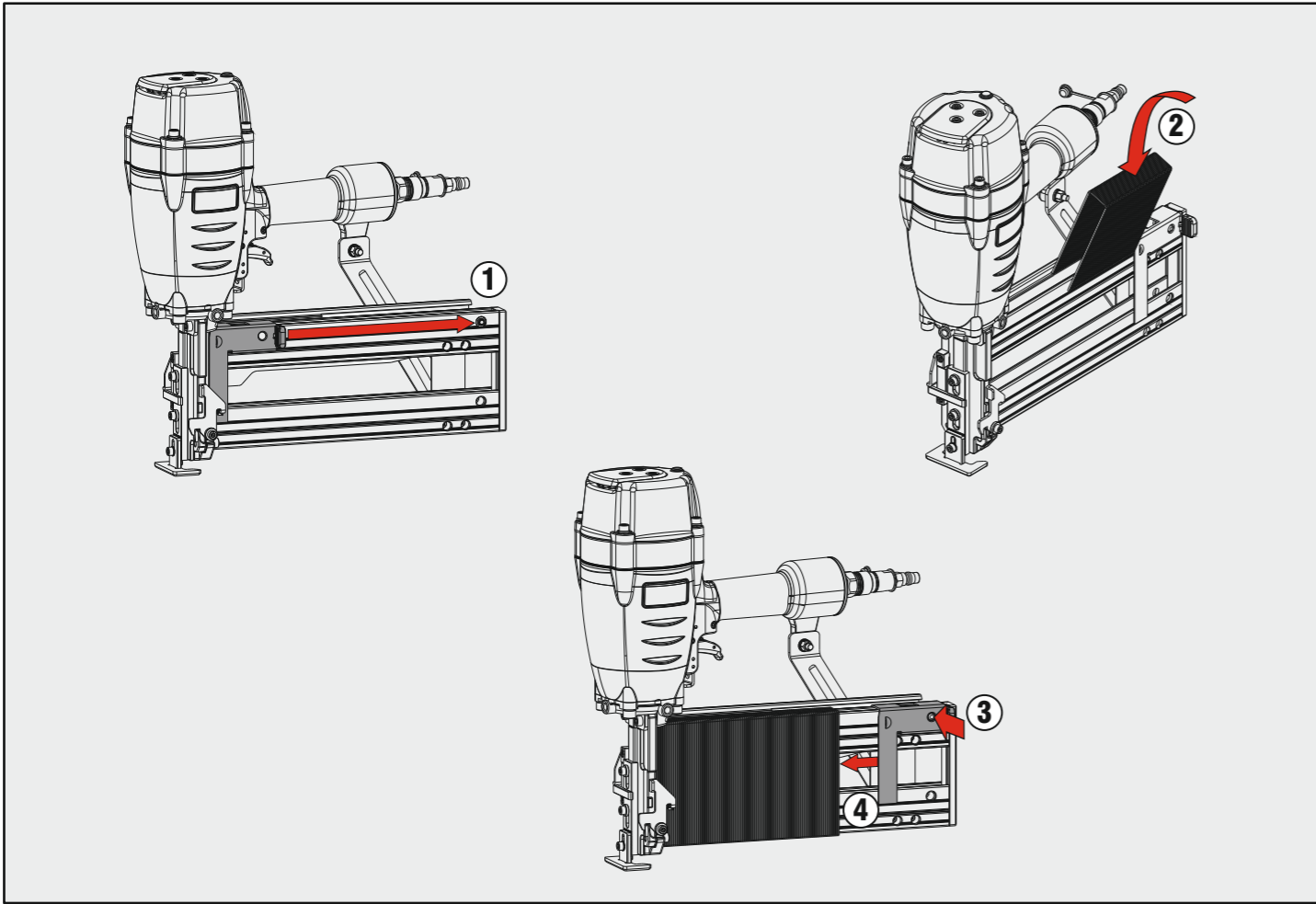


S29.130

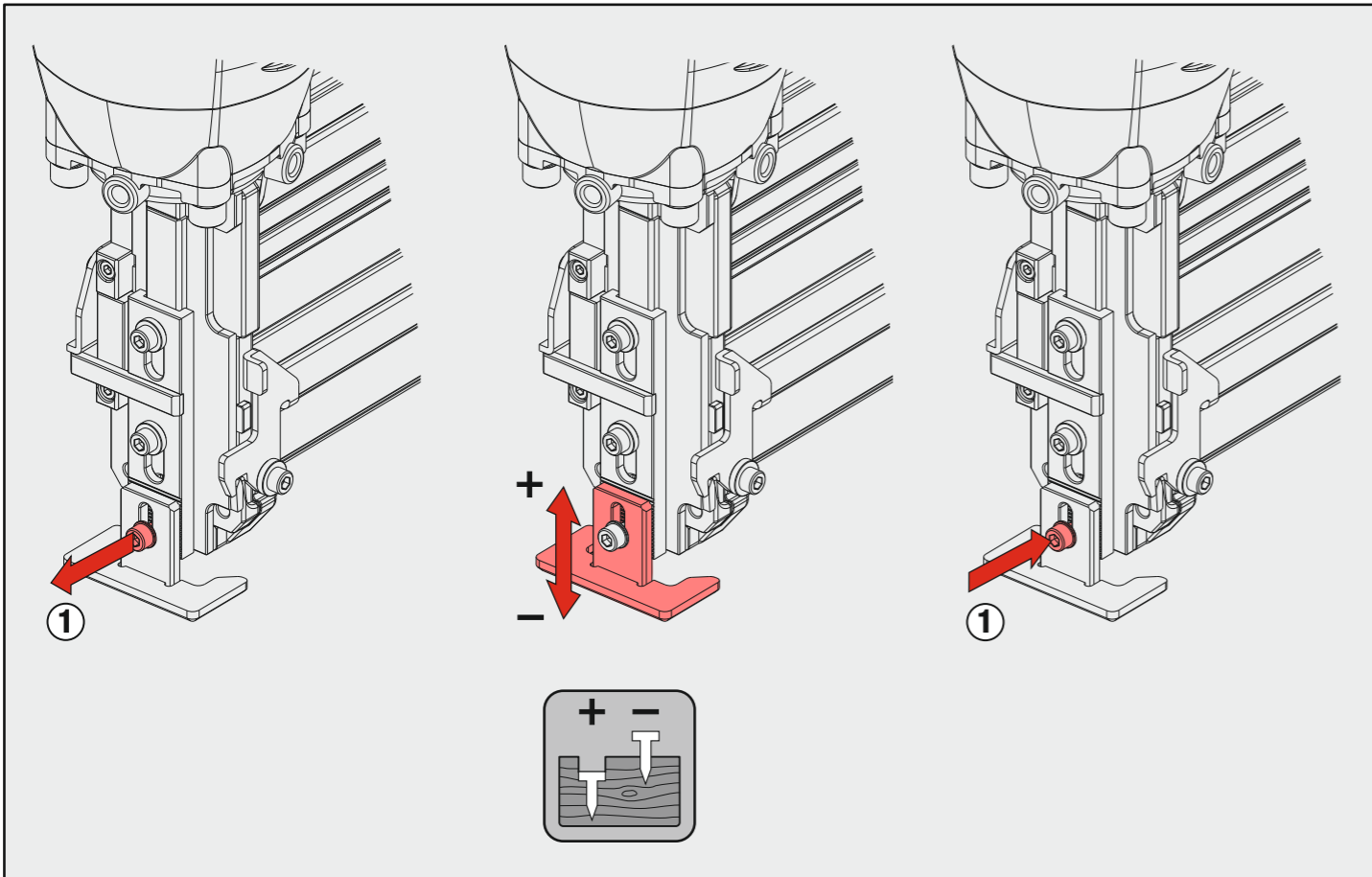
cod. 195MS29130A1

Indice di modifica
 Upgrade number

A1



Regolazione di profondità - Depth adjustment - Tiefeneinstellung - Réglage des dimensions - Réglage des dimensions
Ρύθμιση βάθους - Regulação de profundidade - Diepte afstelling - Derinlik ayarı - Justering av djupet



Azionamento sequenziale singolo
Single sequential actuation

