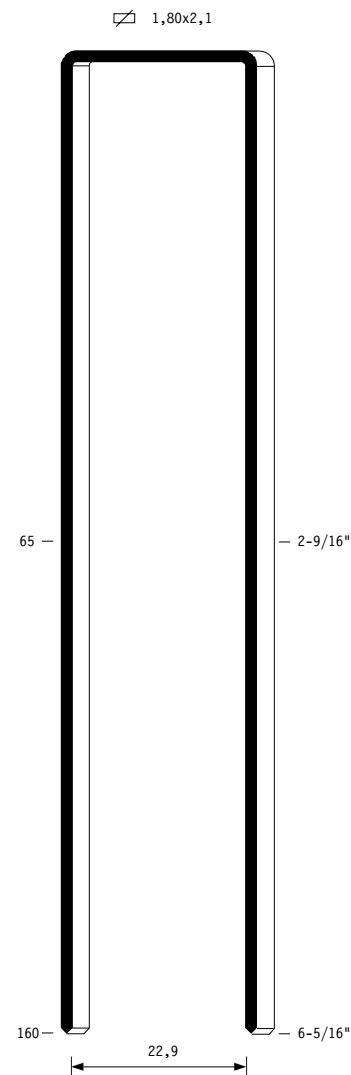
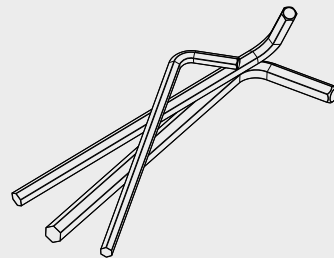
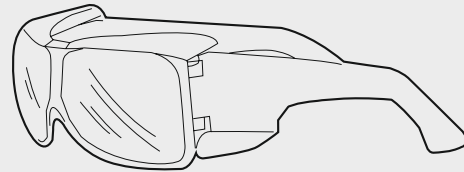
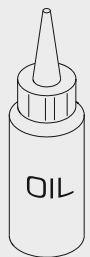


**S29**

Gauge: 14  
 Crown: 1.043" (1")

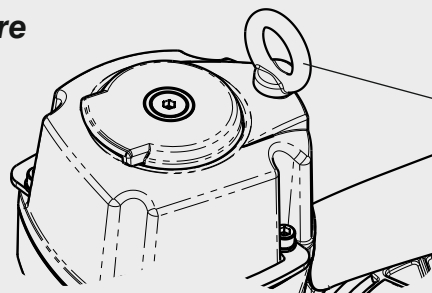


Dotazioni - Equipment - Ausstattung - Outillage - Dotaciones - Εξοπλισμός  
 Dotações - Uitrusting - Donanımlar - Utrustning



Accessori a richiesta - Upon request accessories

Supporto bilanciata  
 Tool hanger



Manuale d'uso, manutenzione e parti di ricambio	Parte 2
Manual for use, maintenance and spare parts	Part 2
Bedienungs- und Wartungshandbuch sowie Ersatzteilleiste	Teil 2
Mode d'emploi, de maintenance et pièces de rechange	Partie 2
Manual de uso, mantenimiento y recambios	Part 2
Εγχειρίδιο χρήσης, συντήρησης και ανταλλακτικών	Μέρος 2
Manual de uso, manutenção e peças sobresselentes	Parte 2
Handleiding voor gebruik, onderhoud en wisselstukken	Deel 2
Kullanım, bakım ve yedek parça kılavuzu	Kısım 2
Användar-, underhålls- och reservdelshandbok	Del 2



**S29.160**

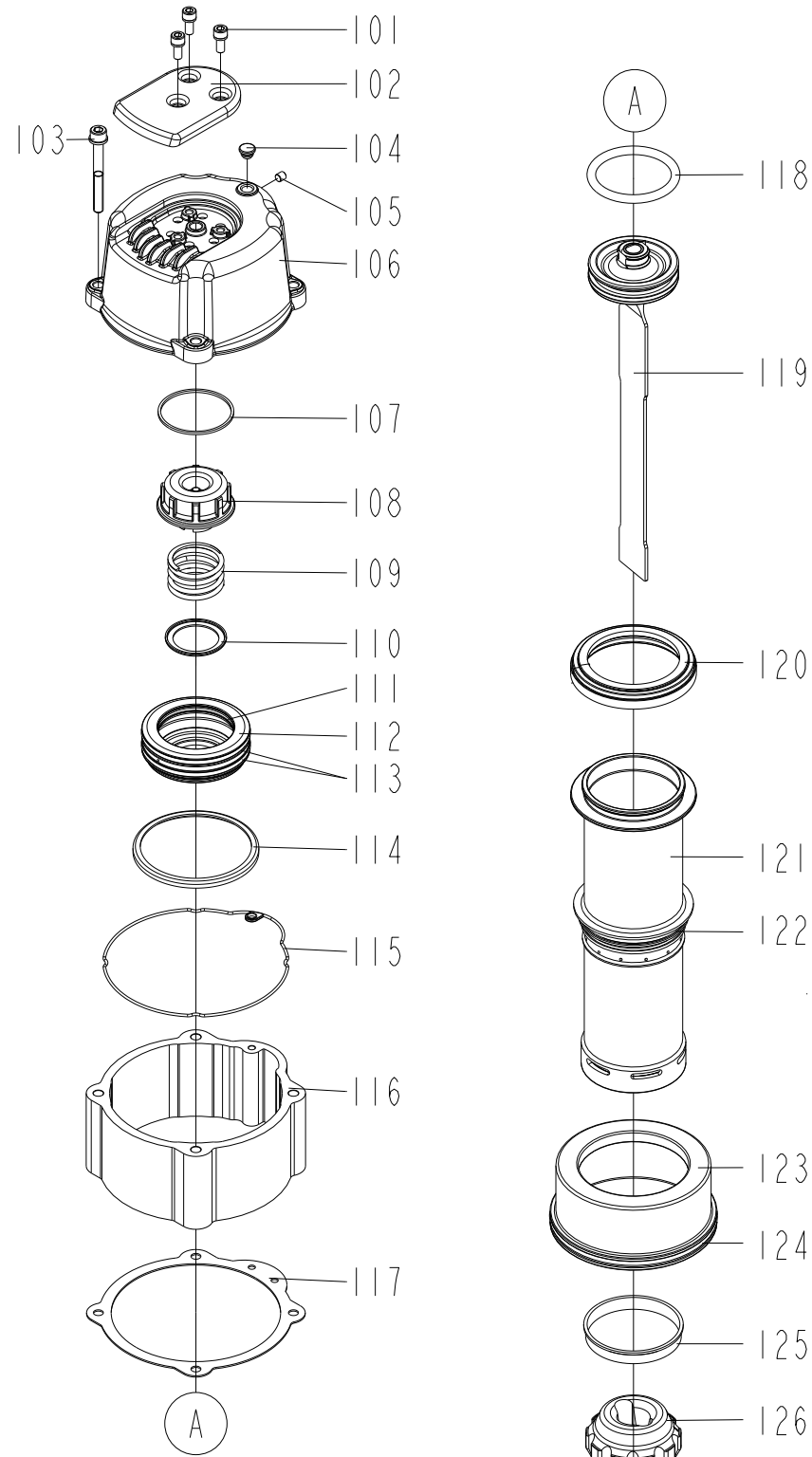
cod. 195MS29160A1



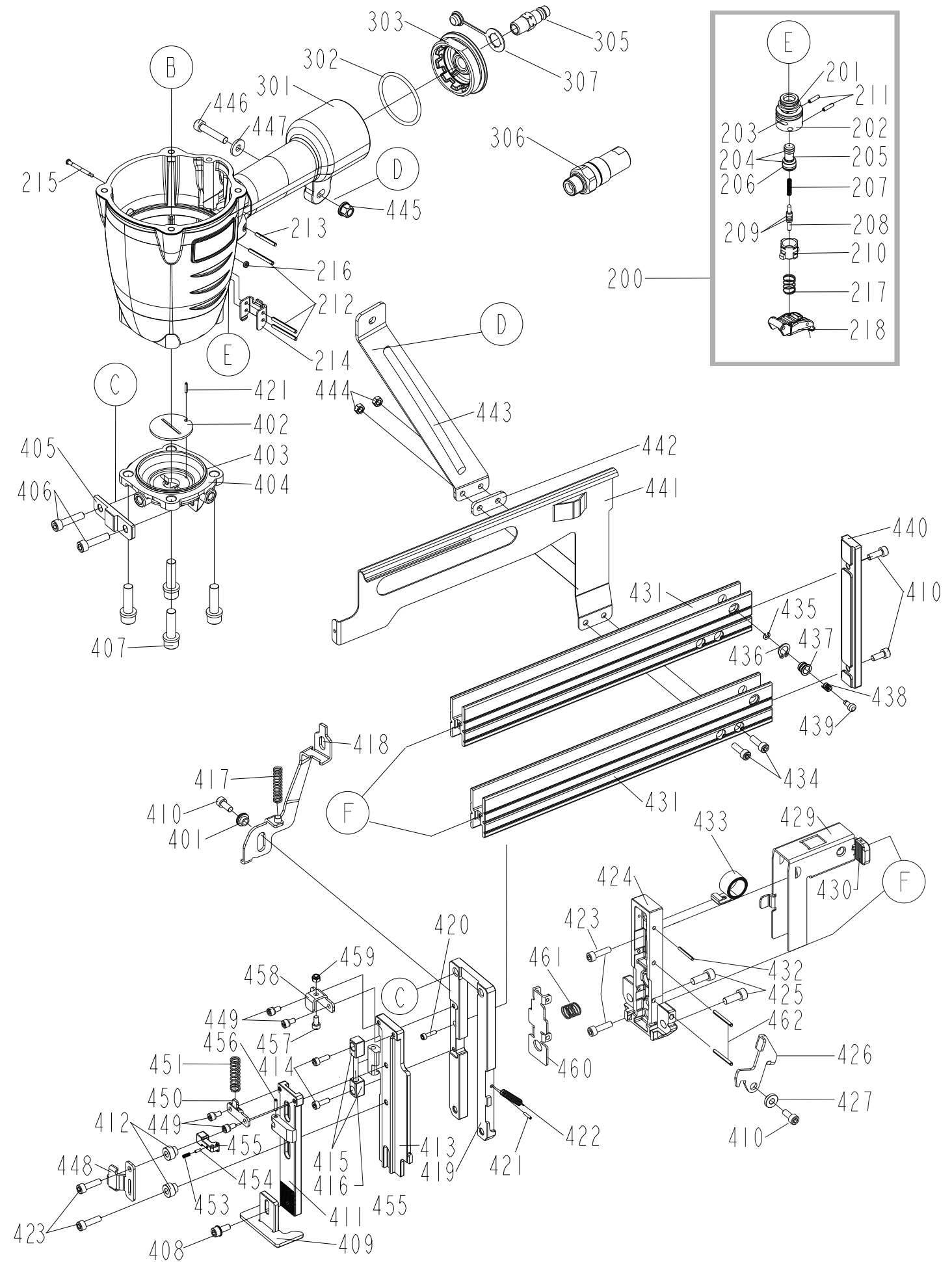
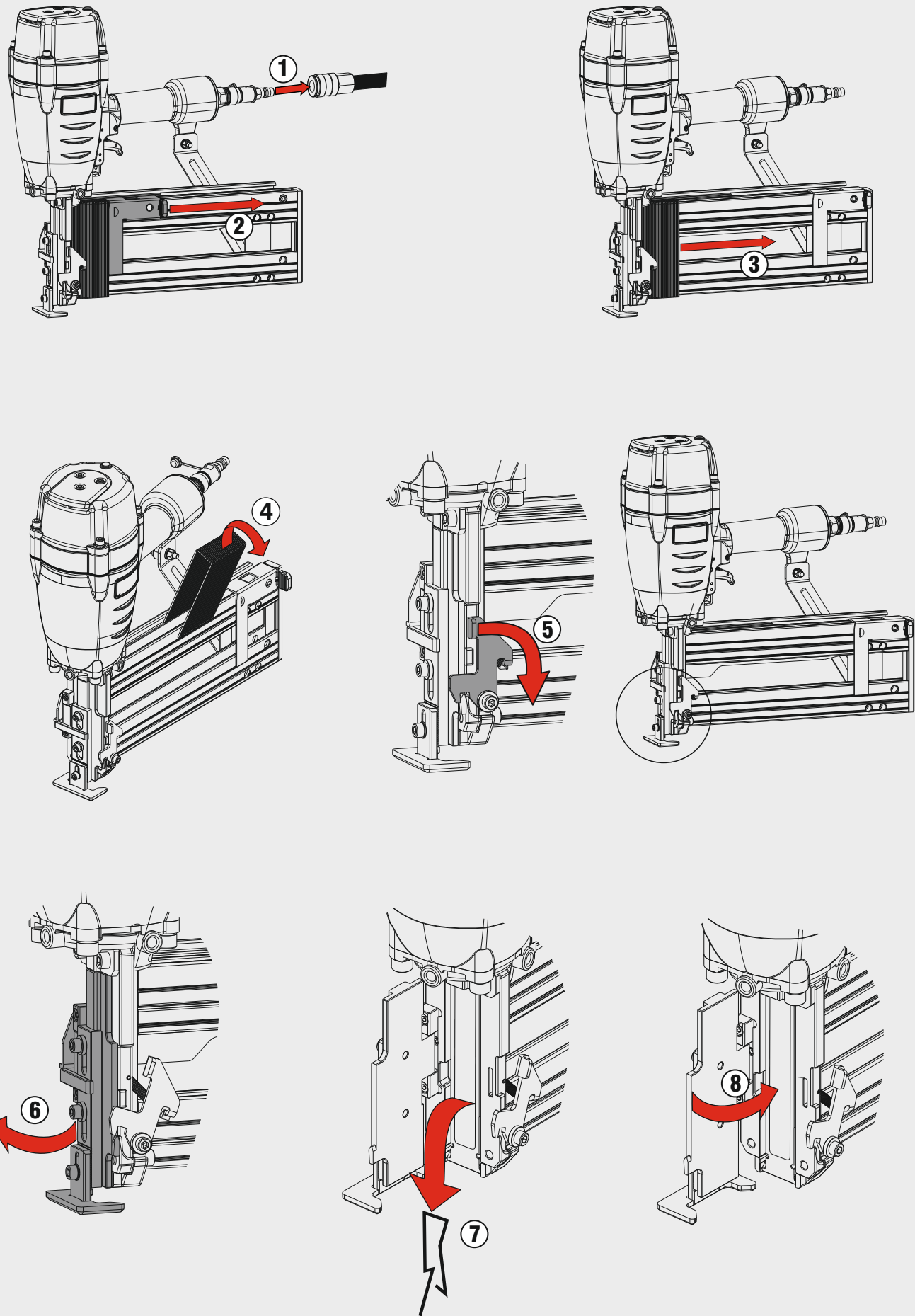
Dati tecnici Technical data Technische Daten Tekniska data	Caractéristiques techniques Datos técnicos Τεχνικά χαρακτηριστικά	Dados técnicos Technische gegevens Teknik veriler
<b>Misure impiegabili</b> Lengths Verwendbare Nagellänge Dimensioner som kan användas	Dimensions utiles Medidas de longitud Μήκος Αναλωσίμου	Medidas utilizáveis Toepasbare afmetingen Boy
		<b>65 ÷ 160</b>
<b>Capacità caricatore n° punti</b> Magazine capacity Magazinkapazität Nägel Magasinkapacitet Antal punkter	Capacité chargeur n° de points Capacidad cargador n° puntos Δωνατοτητα γεμιστερα	Capacidade carregador n° pontos Capaciteit magazijn in aantal spijkers Dergi kapasitesi
		<b>120</b>
<b>Pressione d'esercizio</b> Operating pressure Betriebsdruck Drifttryck	Pression d'exercice Presión de servicio Πίεση λειτουργίας	Pressão de serviço Werkdruk Çalışma basıncı
		<b>6 ÷ 8 bar 90 ÷ 115 psi</b>
<b>Consumo aria</b> Air consumption Luftverbrauch Luftförbrukning	Consommation d'air Consumo aire Κατανάλωση αέρα	Consumo ar Luchtverbruik Hava tüketimi
		<b>4,35</b>
<b>Peso</b> Weight Gewicht Vikt	Poids Peso Βάρος	Peso Gewicht Ağırlık
		<b>6,25</b>
<b>Dimensioni</b> Dimensions Abmessungen Dimensioner (AxBxH)	Dimensions Dimensiones Διαστάσεις	Dimensões Afmetingen Boyutlar
		<b>400x138x470</b> (LxWxH)
<b>EN 12549 :2009 EN ISO 4871 :2009</b>		
<b>Pressione sonora in pos. operatore</b> Sound pressure in operator's position Schalldruck am Arbeitsplatz Ljudtryck på operatörsplatsen	Pression sonore poste Opérateur Presión sonora en la pos. del operador Ηχητική πίεση στη θέση του χειριστή	Pressão sonora na posição Operador Geluidsdruk op de werkplaats Operatör pozisyonunda ses basıncı
		<b>96,9 dB(A)</b> (K= 2,5 dB)
<b>EN 12549 :2009 EN ISO 3746 :2011 EN ISO 4871 :2009</b>		
<b>Potenza sonora emessa</b> Sound power emitted Emitierte Schalleistung Avgiven ljudeffekt	Puissance sonore émise Potencia sonora emitida Εκπεμπόμενη ηχητική ισχύς	Potência sonora emitida Geëmitteerd geluidsvermogen Çıkan ses gücü (ses desibel)
		<b>103,5 dB(A)</b> (K= 2,5 dB)
<b>CEN ISO/TS 8662-11 :2006 EN ISO 5349-2 :2004 EN 12096 :1999</b>		
<b>Emissione vibratoria sull'impugnatura</b> Vibratory emissions on handle Vibrationsemission am Griff Vibrationsemission på handtaget	Émission vibratoire sur la prise en main Emisión de vibraciones en la empuñadura Εκπεμπόμενες δονήσεις στη λαβή	Emissão vibratória na empunhadura Trillingsemissie op de handgreep Tutamak üzerinde vibrasyon emisyonları
		<b>3,51 m/s<sup>2</sup></b> (K= 1,76 m/s <sup>2</sup> )

195MS29160A1\_S29160\_A1\_rev21\_28/03/2023 DV

101	2MS29130-A101	Bolt Assy
102	2MS29130-A102	Deflector
103	2MS29160-A103	Bolt Assy
104	2MS29130-A104	Grommet
105	2MS29130-A105	Hex. Soc. Hd. Screw
106	2MS29130-A106	Cap
107	2MS29130-A107	Gasket
108	2MS29130-A108	Seal
109	2MS29130-A109	Compression Spring
110	2MS29130-A110	Washer
111	2MS29130-A111	O-Ring
112	2MS29130-A112	Hd. Valve Piston
113	2MS29130-A113	O-Ring
114	2MCM3390-A131	Press Ring
115	2MS29130-A115	Cylinder Cap Seal
116	2MS29160-A116	Cap
117	2MS29130-A117	Gasket
118	2MS29130-A118	O-Ring
119	2MS29160-A119	Driver Unit
120	2MS29130-A120	Collar
121	2MS29160-A121	Cylinder
122	2MS29130-A122	O-Ring
123	2MS29160-A123	Cylinder Spacer
124	2MS29130-A124	O-Ring
125	2MCM3390-A127	Cylinder Ring
126	2MS29130-A126	Bumper
200	2MCM3165-A200	Trigger Valve Unit
201	2MCM3165-A201	O-Ring
202	2MCM3165-A203	Plunger Cap
203	2MCM3165-A202	O-Ring
204	2MCM3165-A205	O-Ring
205	2MSN2210-A204	Valve Plunger
206	2MCM3165-A206	O-Ring
207	2MCM3165-A207	Spring
208	2MCM2550-A208	Plunger
209	2MCM3165-A209	O-Ring
210	2MCM3165-A210	Trigger Valve Head
211	2MCM3165-A211	Spring Pin
212	2MCM3165-A213	Spring Pin
213	2MA34100-A442	Spring Pin
214	2MS29130-A214	Safety Guide
215	2MCM3390-A216	Trigger Pivot Pin
216	2MCM3165-A416	Urethane Retainer
217	2MCM2550-A214	Spring
218	2MS29130-A218	Trigger Unit
301	2MS29130-A301	Gun Body Unit
302	2MCM3165-A120	O-Ring
303	2MS29130-A303	End Cap
305	2MCM3165-A305	Air Plug
306	2MS29130-A306	Valve Unit
307	2MCM3165-A304	Dusty Cover
401	2MS29130-A401	Latch Spring Bushing
402	2MS29130-A402	Driver Guide
403	2MS29130-A403	O-Ring
404	2MS29130-A404	Base
405	2MS29130-A405	Driver Guide Cover
406	2MCM3165-A429	Hex. Soc. Hd. Screw
407	2MCM3390-A404	Bolt Assy
408	2MS29160-A408	Bolt Flat Washer
409	2MS29130-A409	Safety Unit
410	2MCM3165-A101	Hex. Soc. Hd. Bolt
411	2MS29160-A411	Safety C Unit
412	2MS29130-A412	Latch Spring Bushing
413	2MS29160-A413	Driver Guide Cover
414	2MS29130-A414	Hex. Soc. Hd. Bolt
415	2MS29130-A415	Anchor Block
416	2MS29130-A416	Pin
417	2MS29130-A417	Safety Spring
418	2MS29160-A418	Safety B Unit
419	2MS29160-A419	Driver Guide
420	2MS29160-A420	Hex. Soc. Hd. Bolt
421	2MS29130-A421	Spring Pin
422	2MS29130-A422	Pull Spring
423	2MS29130-A423	Hex. Soc. Hd. Bolt
424	2MS29160-A424	Driver Guide
425	2MS29130-A425	Hex. Soc. Hd. Bolt
426	2MS29130-A426	Latch
427	2MS29130-A427	Latch Spring Bushing
429	2MS29160-A429	Pusher
430	2MS29130-A430	Pusher Cushion
431	2MS29130-A431	Magazine A
432	2MS29130-A432	Spring Pin
433	2MS29130-A433	Spring Unit
434	2MS29130-A434	Hex. Soc. Hd. Bolt
435	2MS29130-A435	E-Ring
436	2MS29130-A436	Snap Ring
437	2MS29130-A437	Door Latch Cover
438	2MS29130-A438	Latch Spring
439	2MS29130-A439	Door Latch
440	2MS29160-A440	Rear Plate
441	2MS29160-A441	Mounting Bracket
442	2MS29130-A442	Gasket
443	2MS29160-A443	Positioning Bracket
444	2MCM3165-A454	Lock Nut
445	2MCM2970-A442	Bolt Cap
446	2MSN2913-A408	Hex. Soc. Hd. Bolt



447	2MSN2913-A409	Flat Washer
448	2MS29160-A448	Cover Safety A
449	2MDB1564-A429	Bolt Assy
450	2MS29160-A450	Cover Safety B
451	2MS29160-A451	Safety Spring
453	2MS29160-A453	Spring
454	2MS29160-A454	Spring Pin
455	2MS29160-A455	Stopper A
456	2MS29160-A456	Spring Pin
457	2MSN2210-A416	Hex. Soc. Hd. Bolt
458	2MS29160-A458	Cover Safety C
459	2MSN2210-A418	Lock Nut
460	2MS29130-A460	Guide
461	2MS29130-A461	Spring
462	2MCM3165-A212	Spring Pin



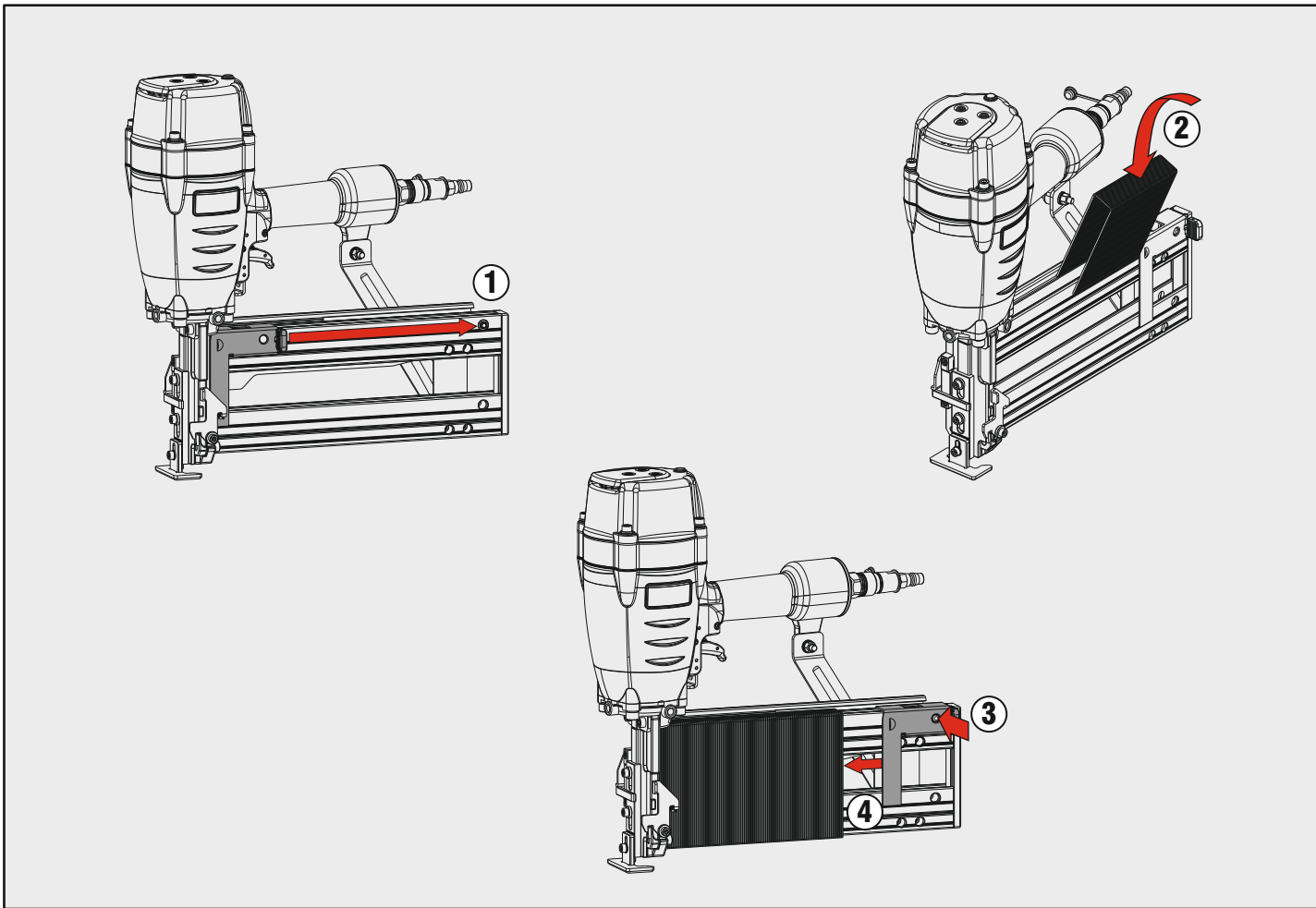
**S29.160**

cod. 195MS29160A1

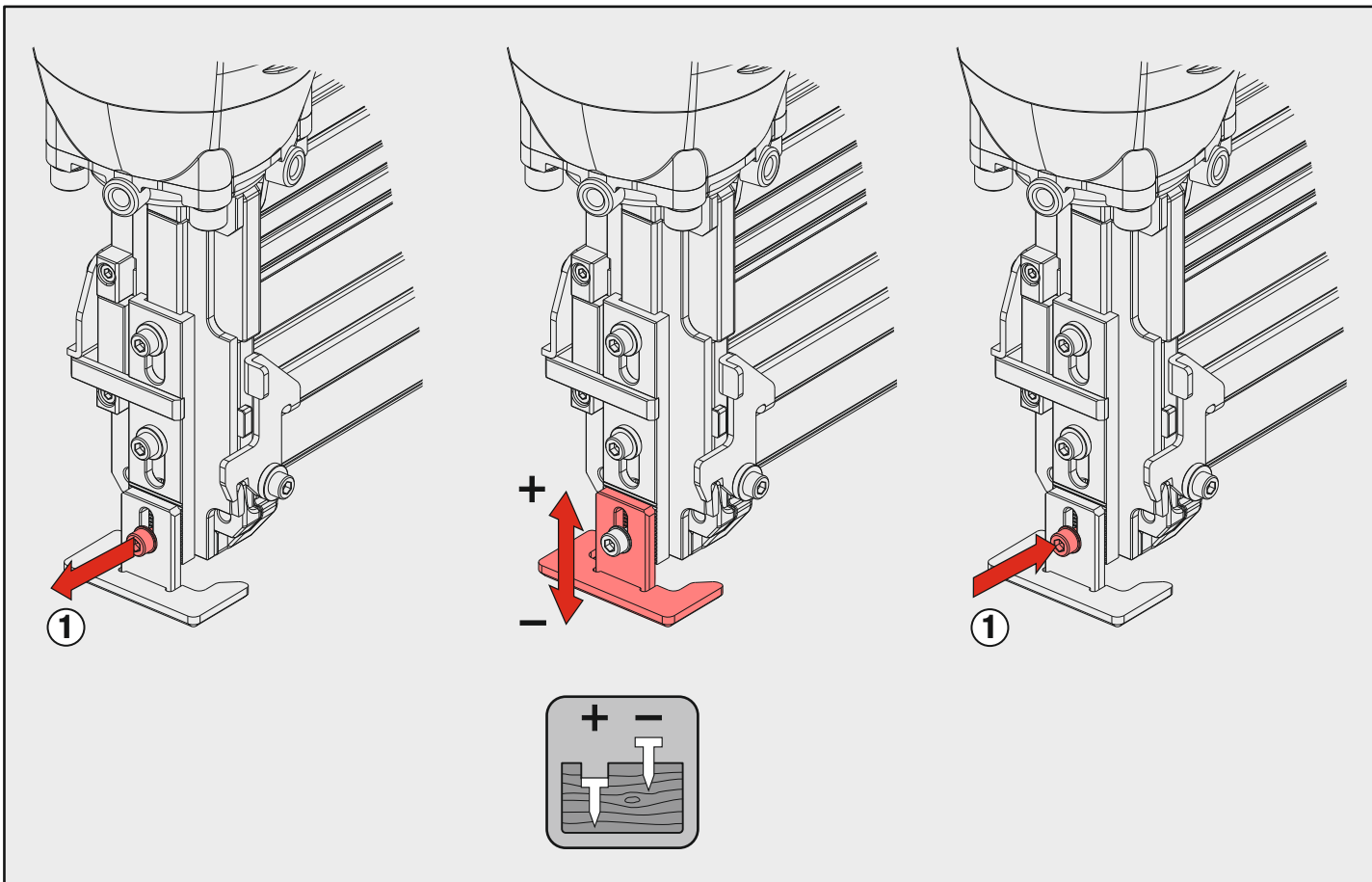
Indice di modifica  
 Upgrade number

**A1**





Regolazione di profondità - Depth adjustment - Tiefeneinstellung - Réglage des dimensions - Réglage des dimensions  
Ρύθμιση βάθους - Regulação de profundidade - Diepte afstelling - Derinlik ayarı - Justering av djupet



**Azionamento sequenziale singolo**  
Single sequential actuation

