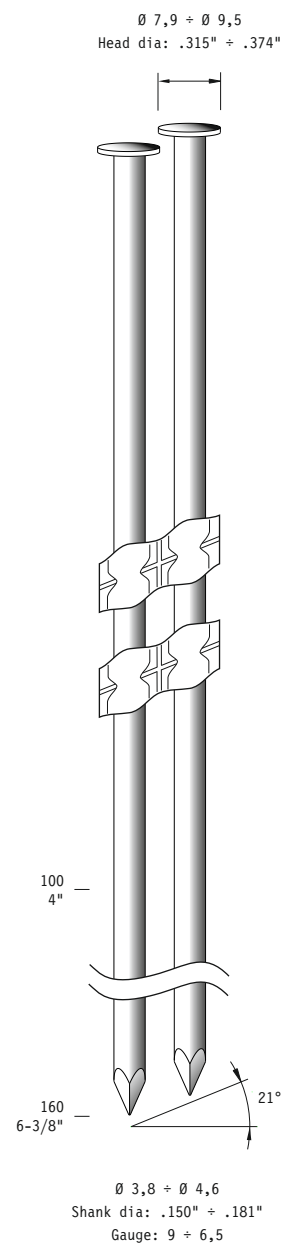


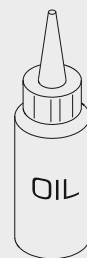
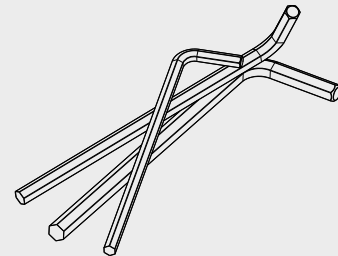
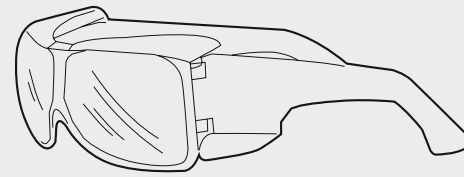
SNPA-38

SNPA-42

SNPA-46

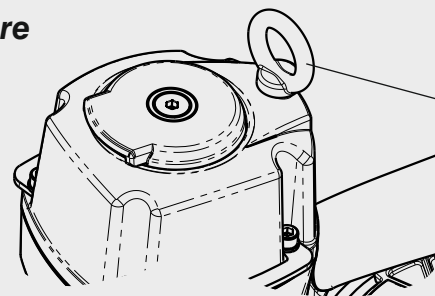


Dotazioni - Equipment - Ausstattung
 Outillage - Dotaciones - Εξοπλισμός
 Dotações - Uitrusting - Donanımlar



Accessori a richiesta - Upon request accessories

Supporto bilanciata
 Tool hanger



Manuale d'uso, manutenzione e parti di ricambio
Manual for use, maintenance and spare parts
Bedienungs- und Wartungshandbuch sowie Ersatzteilleiste
Mode d'emploi, de maintenance et pièces de rechange
Manual de uso, mantenimiento y recambios
Εγχειρίδιο χρήσης, συντήρησης και ανταλλακτικών
Manual de uso, manutenção e peças sobresselentes
Handleiding voor gebruik, onderhoud en wisselstukken
Kullanım, bakım ve yedek parça kılavuzu

Parte 2
Part 2
Teil 2
Partie 2
Part 2
Μέρος 2
Parte 2
Deel 2
Kısım 2



SN22.160

cod. 195MSN22160A1

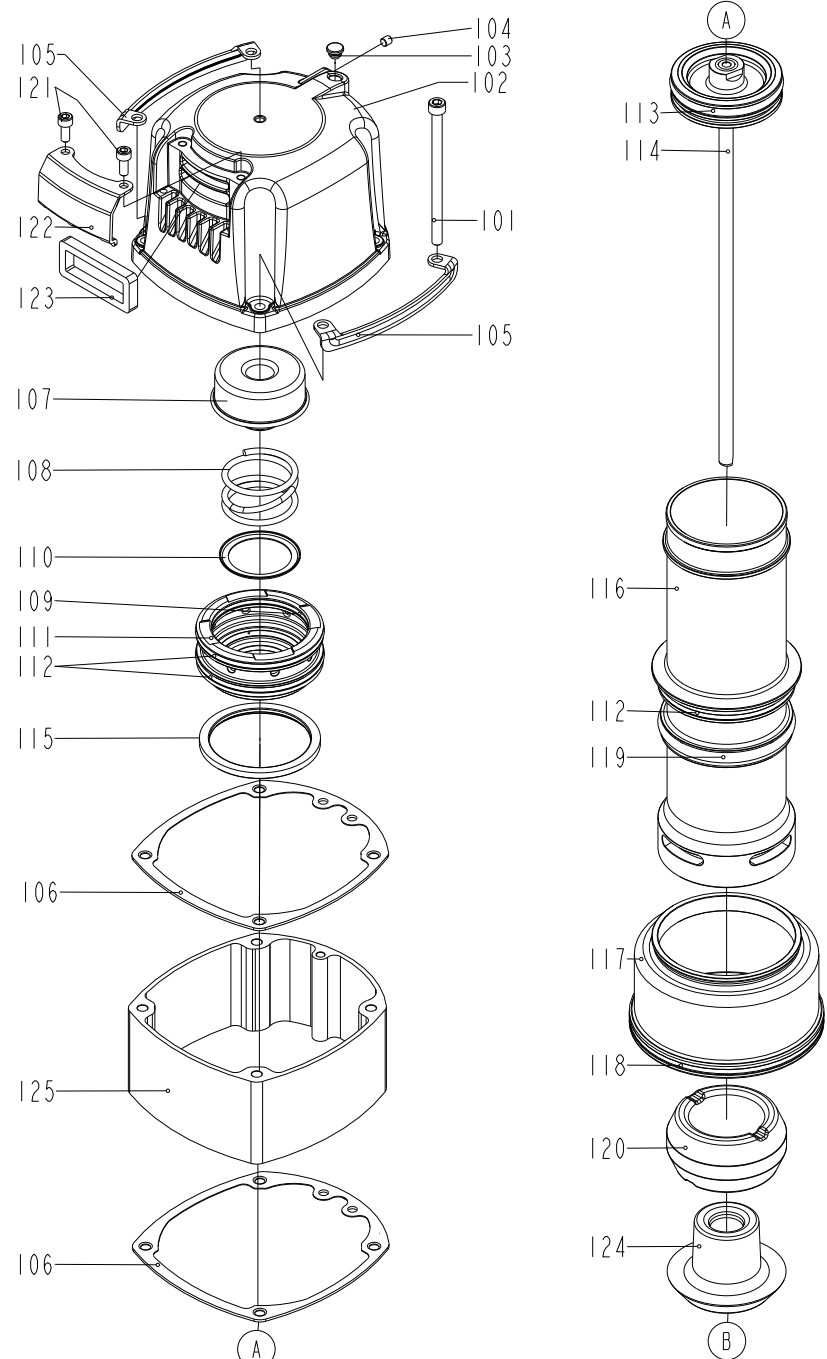


Dati tecnici Technical data Technische Daten	Caractéristiques techniques Datos técnicos Τεχνικά χαρακτηριστικά	Dados técnicos Technische gegevens Teknik veriler
Misure impiegabili mm Lengths mm Verwendbare Nagellänge mm	Dimensions utiles mm Medidas de longitud mm Μήκος Αναλωσίμου - mm	Medidas utilizáveis mm Toepasbare afmetingen mm Boy mm
Capacità caricatore n° punti Magazine capacity Magazinkapazität Nägel	Capacité chargeur n° de points Capacidad cargador n° puntos Δωσατοτητα γεμιστερα	Capacidade carregador n° pontos Capaciteit magazijn in aantal spijkers Dergi kapasitesi
Pressione d'esercizio Operating pressure Betriebsdruck	Pression d'exercice Presión de servicio Πίεση λειτουργίας	Pressão de serviço Werkdruk Çalışma basıncı
Consumo aria litri/colpo Air consumption litres/stroke Luftverbrauch Liter/Schuss	Consommation d'air litres/coup Consumo aire litros/golpe Κατανάλωση αέρα - λίτρα/βολή	Consumo ar litros/disparo Luchtverbruik liter/slag Litre/vuruş hava tüketimi
Peso kg Weight kg Gewicht kg	Poids kg Peso kg Βάρος - kg	Peso kg Gewicht in kg Ağırlık kg
Dimensioni mm Dimensions mm Abmessungen mm	Dimensions mm Dimensiones mm Διαστάσεις mm	Dimensões mm Afmetingen mm Boyutlar mm
		568x145x538 (LxWxH)

UNI EN 12549 :2009	UNI EN ISO 4871 :2009	UNI EN 12549 :2009	UNI EN ISO 3746 :2011	UNI EN ISO 4871 :2009
Pressione sonora in pos. operatore Sound pressure in operator's position Schalldruck am Arbeitsplatz	Pression sonore poste Opérateur Presión sonora en la pos. del operador Ηχητική πίεση στη θέση του Χειριστή	Pressão sonora na posição Operador Geluidsdruk op de werkplaats Operatör pozisyonunda ses basıncı		
				101,1 dB(A) (K= 2,5 dB)
Potenza sonora emessa Sound power emitted Emittierte Schallleistung	Puissance sonore émise Potencia sonora emitida Εκπεμπόμενη ηχητική ισχύς	Potência sonora emitida Geëmitteerd geluidsvermogen Çıkan ses gücü (ses desibel)		
				105,7 dB(A) (K= 2,5 dB)
Emissione vibratoria sull'impugnatura Vibratory emissions on handle Vibrationsemission am Griff	Émission vibratoire sur la prise en main Emisión de vibraciones en la empuñadura Εκπεμπόμενες δονήσεις στη λαβή	Emissão vibratória na empunhadura Trillingsemissie op de handgreep Tutamak üzerinde vibrasyon emisyonları		
				5,41 m/s² (K= 2,16 m/s ³)

Ref. No. Part No. Description

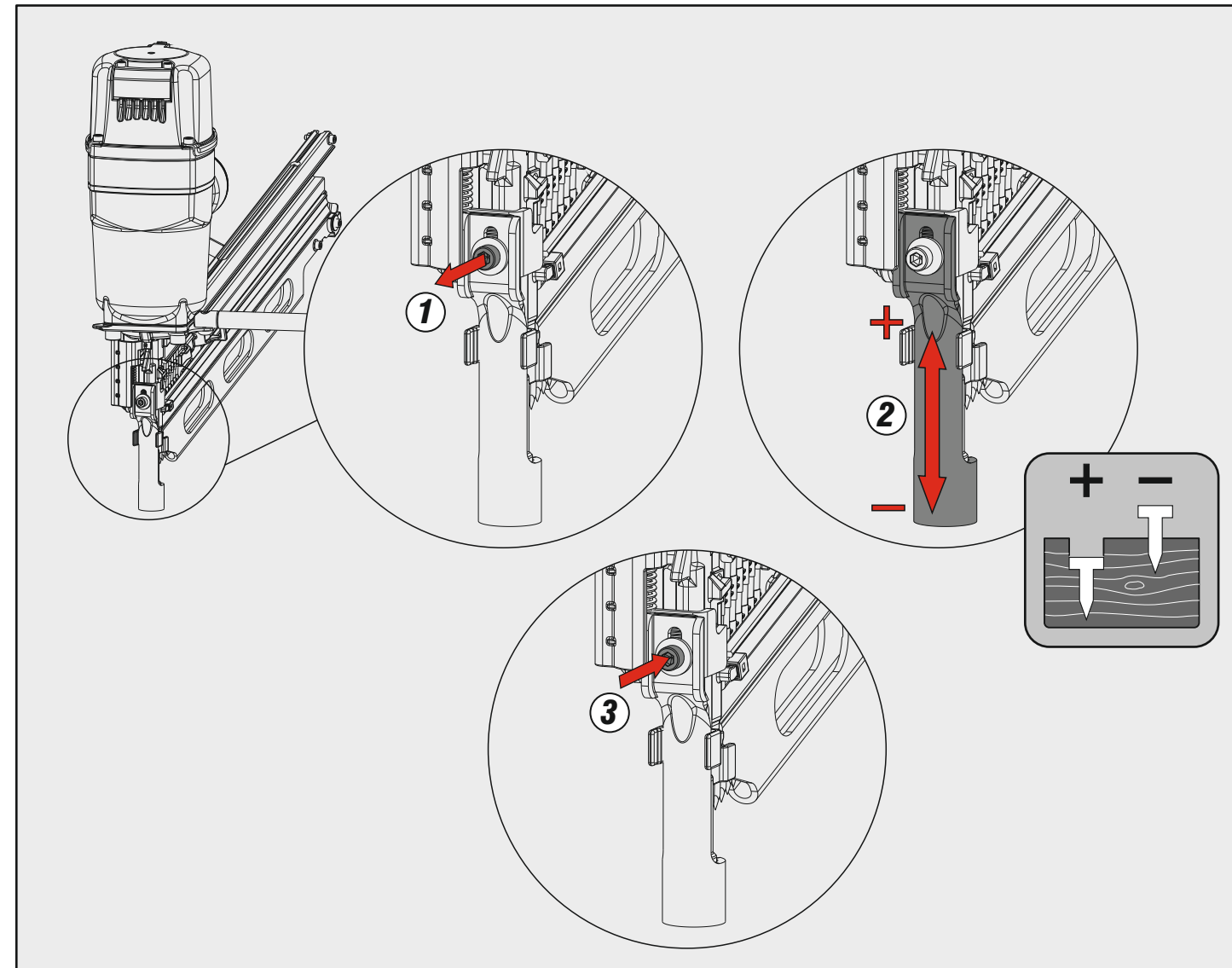
101	2MSN2216-A101	Hex. Soc. Hd. Bolt
102	2MSN2213-A102	Cap
103	2MCN2970-A103	Grommet
104	2MCN2970-A104	Hex. Soc. Hd. Screw
105	2MSN2213-A105	Guide Cover
106	2MSN2213-A106	Cylinder Cap Seal
107	2MSN2213-A107	Seal
108	2MSN2213-A108	Compression Spring
109	2MCN2970-A112	O-Ring
110	2MSN2213-A110	Washer
111	2MSN2213-A111	Hd.Valve Piston
112	2MSN2213-A112	O-Ring
113	2MSN2213-A113	O-Ring
114	2MSN2216-A114	Driver Unit
115	2MSN2213-A115	Collar
116	2MSN2216-A116	Cylinder
117	2MSN2216-A117	Cylinder Spacer
118	2MSN2213-A118	O-Ring
119	2MSN2213-A119	O-Ring
120	2MSN2213-A120	Bumper-A
121	2MSN2213-A121	Hex. Soc. Hd. Bolt
122	2MSN2213-A122	Deflector
123	2MSN2213-A123	Muffler
124	2MSN2213-A124	Bumper
125	2MSN2216-A125	Cap
201	2MCN2970-A201	O-Ring
202	2MCN2970-A202	Plunger Cap
203	2MCN2970-A203	O-Ring
204	2MCN3165-A205	O-Ring
205	2MCN2970-A205	Valve Plunger
206	2MCN3165-A206	O-Ring
207	2MCN2970-A207	Spring
208	2MCN2970-A208	O-Ring
209	2MSN2216-A209	Plunger
210	2MCN2970-A210	Trigger Valve Head
211	2MCN2970-A211	Pin
212	2MCN2970-A212	Cover Plunger
213	2MCN2970-A213	O-Ring
214	2MCN2970-A214	O-Ring
217	2MCN2357-A219	Spiral Pins
218	2MCN2970-A219	Spring Pin
220	2MSN2216-A220	Trigger Valve Assy
226	2MSN2216-A226	Trigger Unit (FQ)
227	2MSN2216-A227	Tooth
301	2MSN2216-A301	Gun Body Unit
302	2MCN2970-A302	O-Ring
303	2MCN2970-A303	End Cap
304	2MCN3165-A304	Dusty Cover
305	2MCN3165-A305	Air Plug
401	2MSN2213-A401	O-Ring
402	2MSN2216-A402	Nose Piece
403	2MSN2213-A403	Hex. Soc. Hd. Bolt
404	2MSN2216-A404	Steel Channel
405	2MSN2213-A405	Hex. Soc. Hd. Bolt
406	2MSN2216-A406	Guide
407	2MSN2216-A407	Rubber Pad
408	2MSN2216-A408	Magazine A
409	2MCN2970-A101	Hex. Soc. Hd. Bolt
410	2MSN2213-A409	Flat Washer
411	2MSN2216-A411	Seal
412	2MCN2970-A442	Bolt Cap
413	2MSN2216-A413	Positioning Sheet
414	2MSN2213-A412	Half Round Hd. Hex. Bolt
415	2MSN2216-A415	Spring Unit
416	2MSN2216-A416	Rolling Element
417	2MSN2216-A417	Pin
418	2MSN2216-A418	Pusher
419	2MSN2216-A419	Pusher Bearing
420	2MCN3165-A431	Bolt Cap
421	2MSN2216-A421	Latch Spring Bushing
422	2MSN2213-A419	Flat Washer
423	2MSN2213-A420	Hex. Soc. Hd. Bolt
424	2MSN2213-A421	Latch Spring
425	2MSN2213-A422	Washer
426	2MSN2216-A426	Latch
427	2MSN2213-A424	Feed Bumper
428	2MSN2213-A425	Feed Bumper Spacer
429	2MSN2213-A426	Hex. Soc. Hd. Bolt
430	2MCN3165-A107	Hex. Soc. Hd. Bolt
431	2MSN2213-A427	Magazine Spacer
432	2MSN2213-A429	Half Round Hd. Hex. Bolt
433	2MSN2213-A430	Protective Insert
434	2MSN2213-A431	Spring Cover
435	2MCN2970-A425	Safety Guide
436	2MSN2213-A433	Safety Rod
437	2MSN2213-A434	Safety Spring
438	2MSN2213-A435	Safety B
439	2MSN2216-A439	Safety A
440	2MSN2210-A415	Hex. Soc. Hd. Bolt
441	2MSN2213-A438	Feed Bumper
442	2MSN2213-A439	Rubber Pad
443	2MSN2213-A440	Second Handle Base Unit
445	2MSN2213-A442	Handle Assy



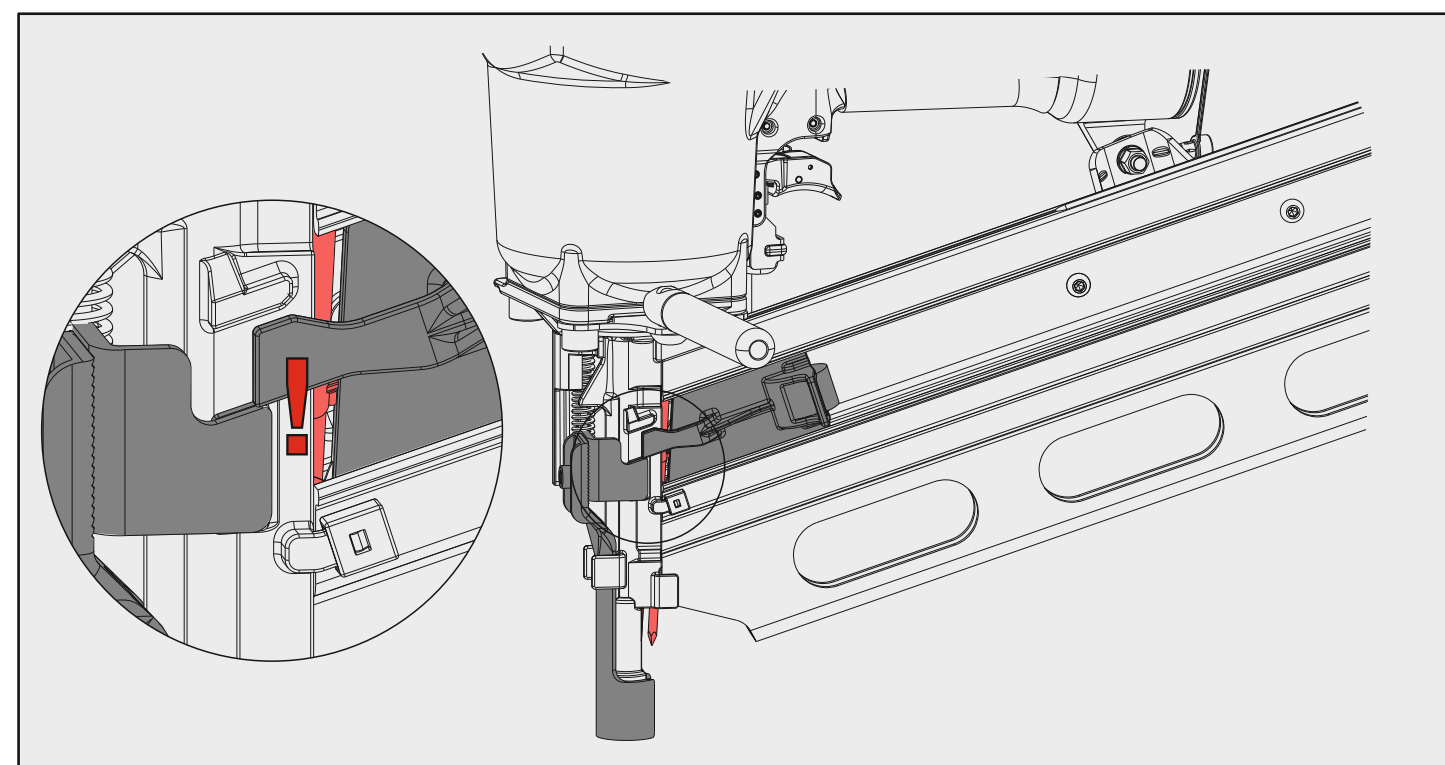
Kit Guarnizioni / Kit O-Rings

2MSN2213-K100

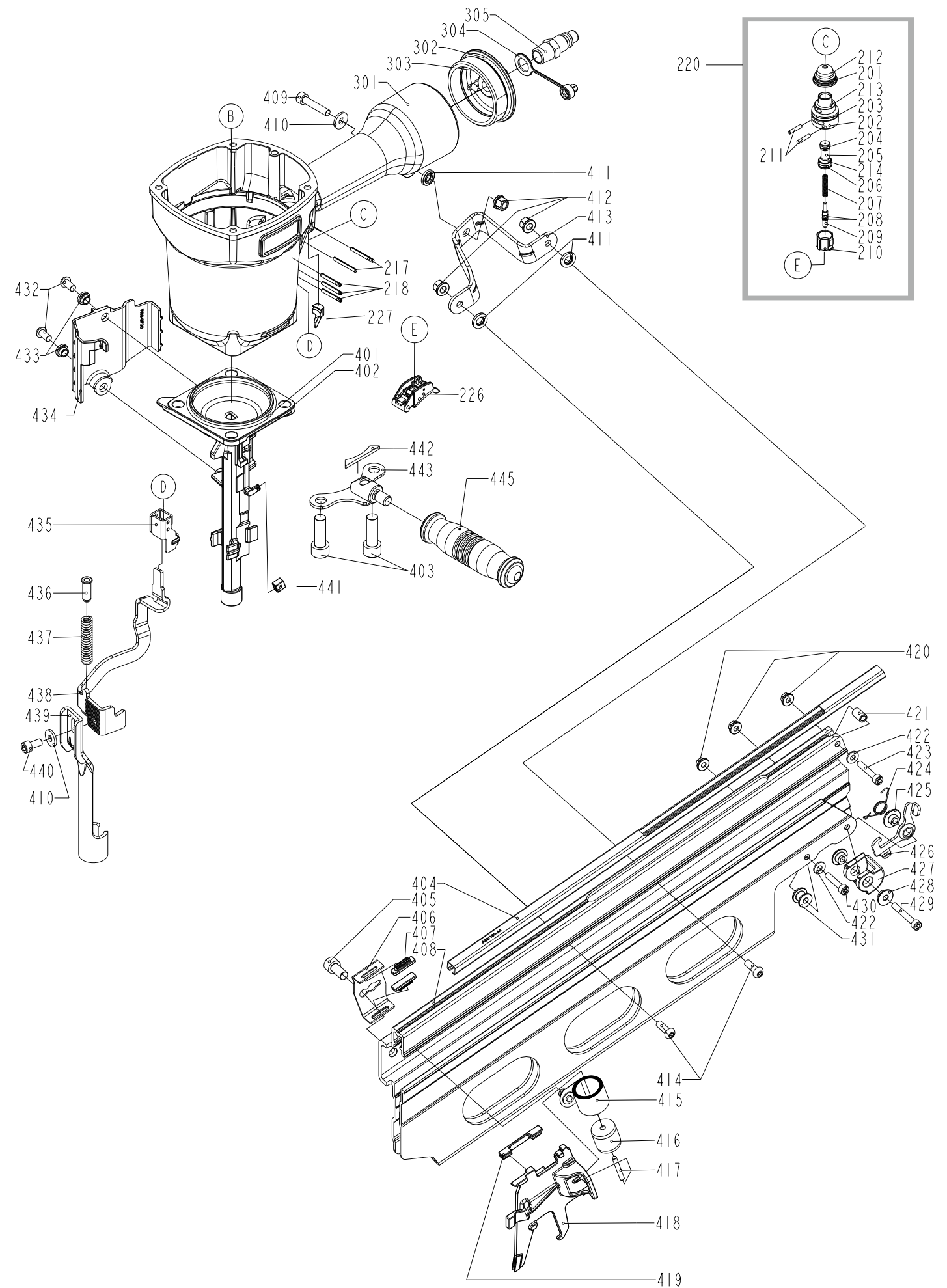
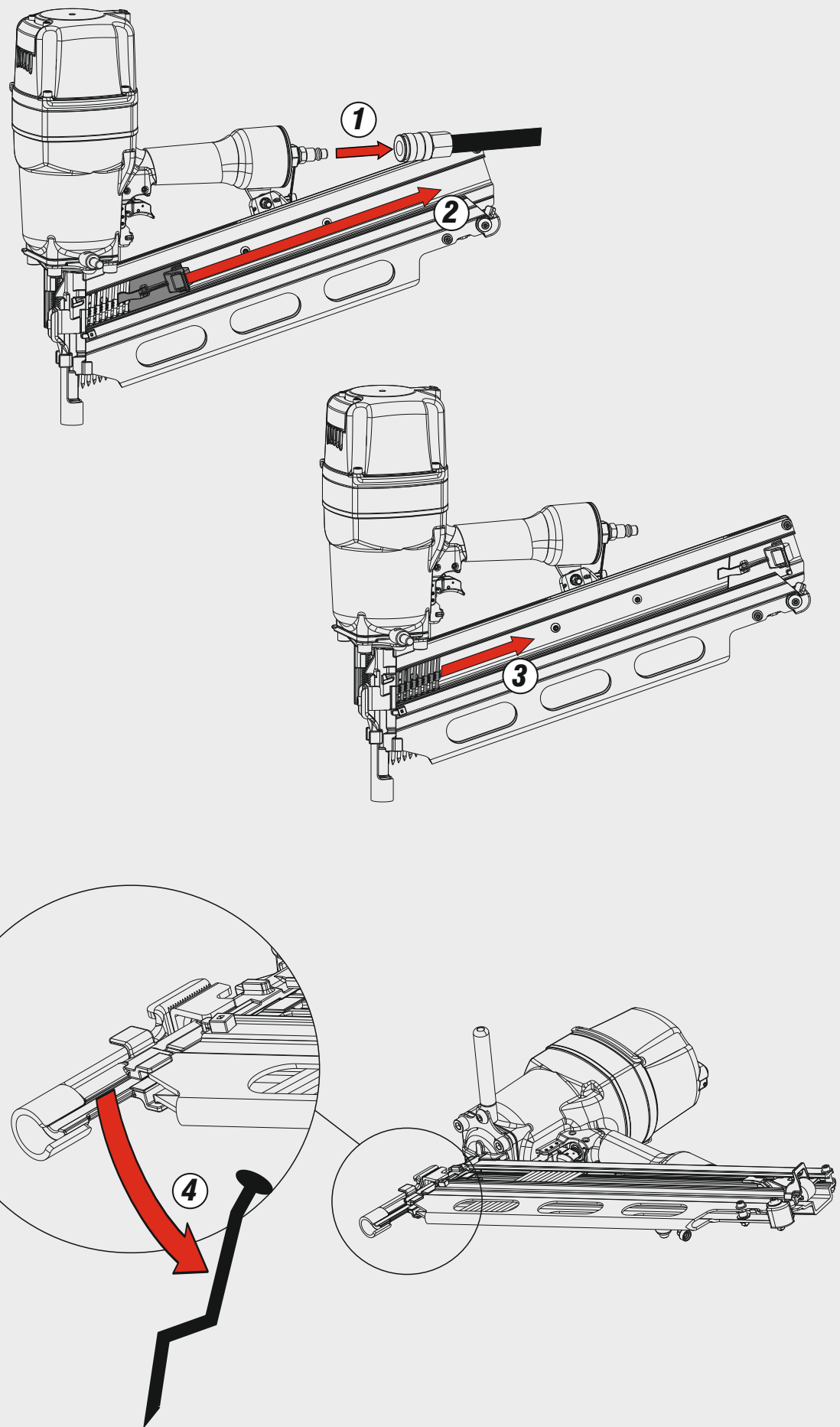
Regolazione di profondità - Depth adjustment - Tiefeneinstellung - Réglage des dimensions - Réglage des dimensions
 Ρύθμιση βάθους - Regulação de profundidade - Diepte afstelling - Derinlik ayarı



Blocco sparo a caricatore vuoto - Fire lock on low magazine



Parti di ricambio - Spare parts - Ersatzteile - Pièces de rechange - Recambios
 Ανταλλακτικά - Partes sobresselentes - Wisselstukken - Yedek parçalar

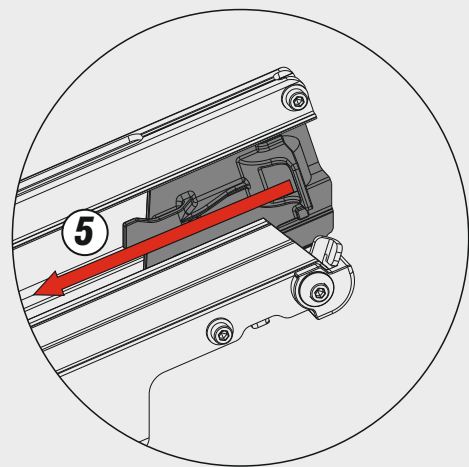
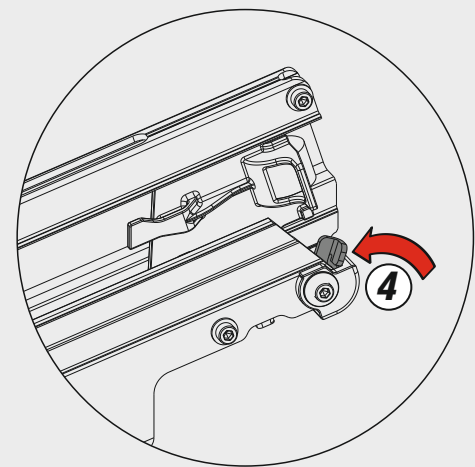
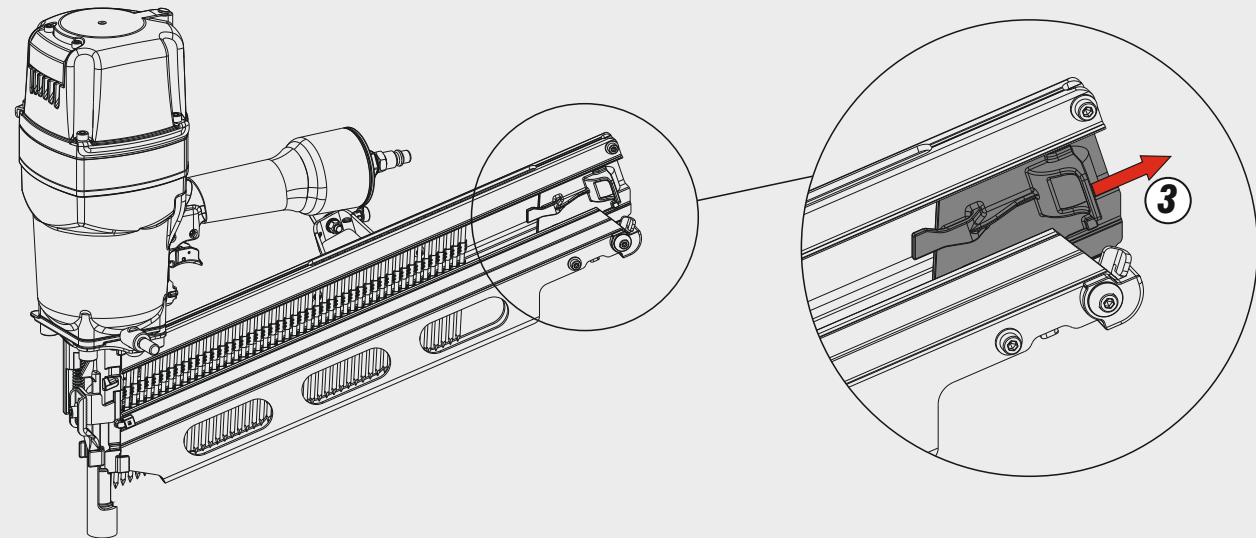
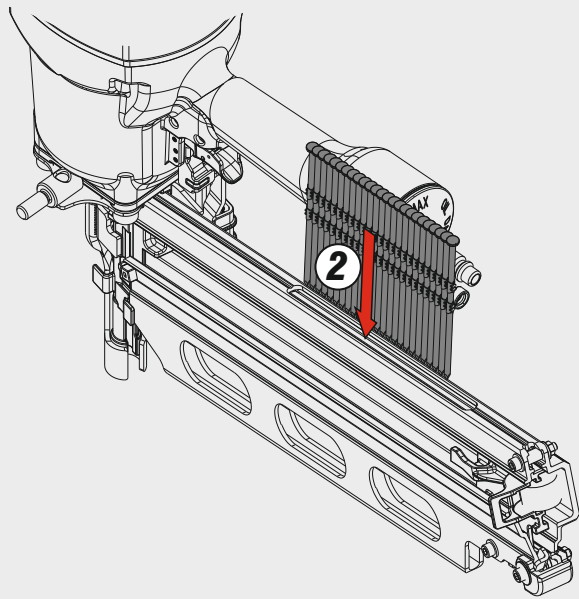
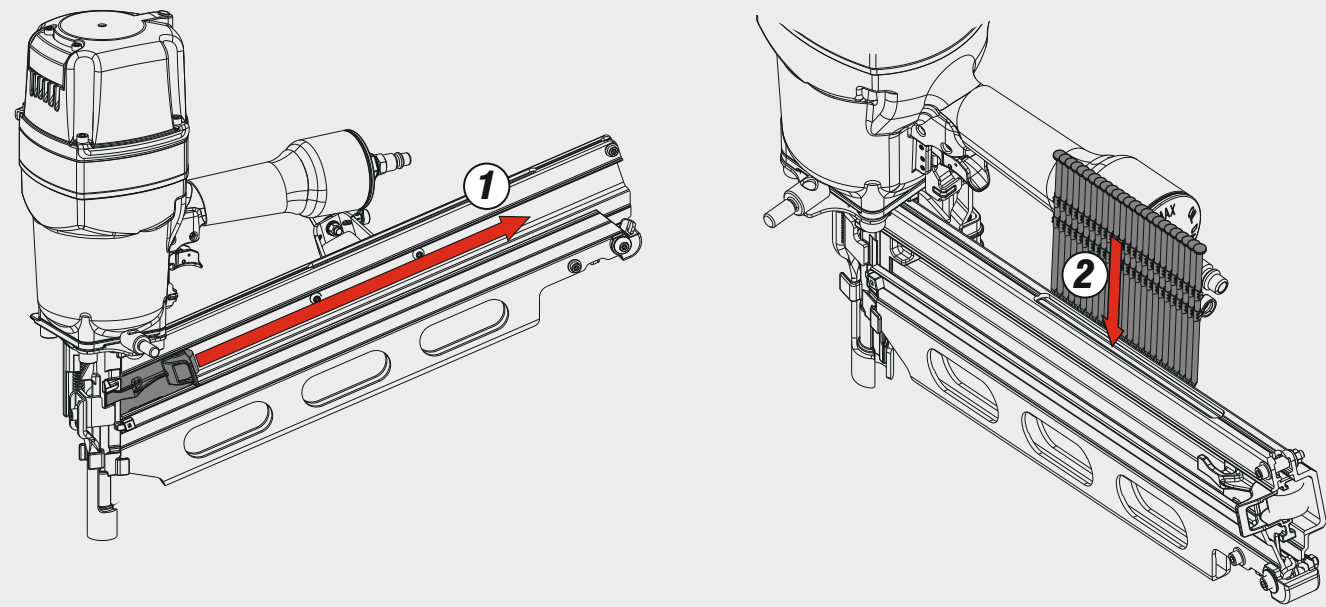


SN22.160

cod. 195MSN22160A1

Indice di modifica
 Upgrade number

A1



Azionamento sequenziale completo
Full sequential actuation

