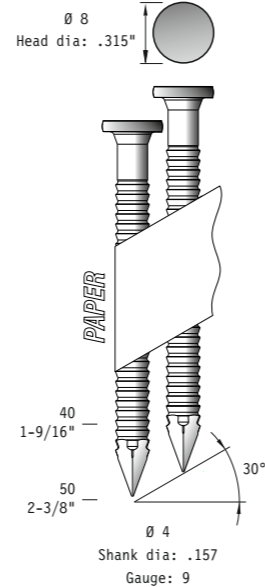
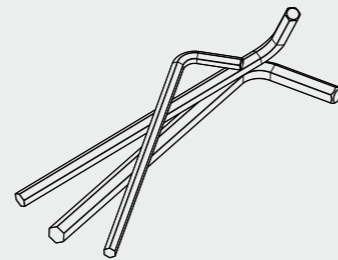
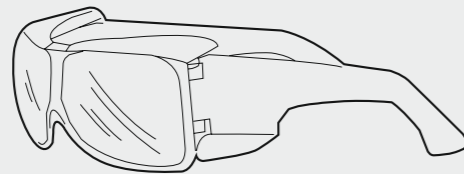
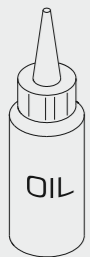


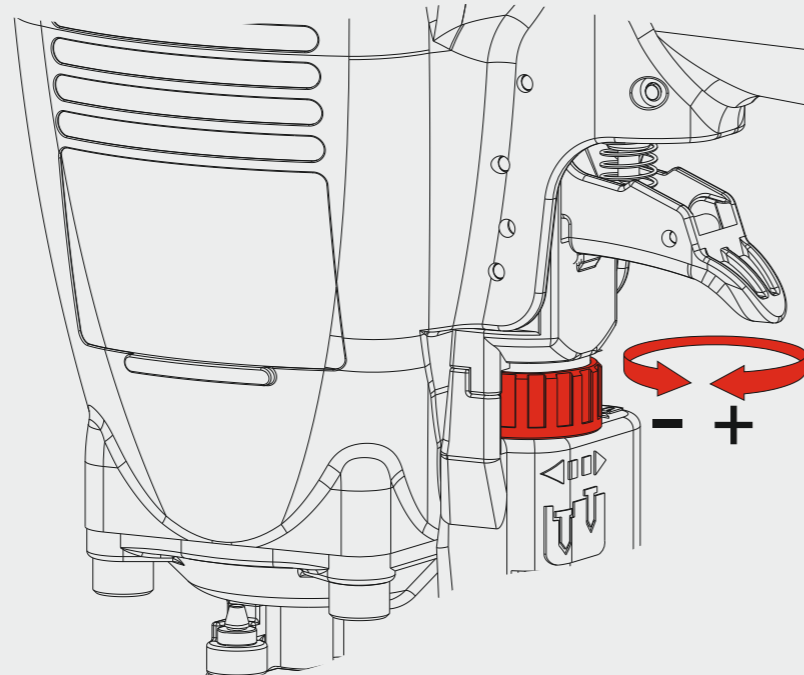
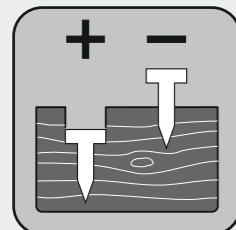
SNPB-40



**Dotazioni - Equipment - Ausstattung - Outillage - Dotaciones - Εξοπλισμός
Dotações - Uitrusting - Donanımlar**



**Regolazione di profondità - Depth adjustment - Tiefeneinstellung - Réglage des dimensions - Réglage des dimensions
Ρύθμιση βάθους - Regulação de profundidade - Diepte afstelling - Derinlik ayarı**



Manuale d'uso, manutenzione e parti di ricambio
Manual for use, maintenance and spare parts
Bedienungs- und Wartungshandbuch sowie Ersatzteilliste
Mode d'emploi, de maintenance et pièces de rechange
Manual de uso, mantenimiento y recambios
Εγχειρίδιο χρήσης, συντήρησης και ανταλλακτικών
Manual de uso, manutenção e peças sobresselentes
Handleiding voor gebruik, onderhoud en wisselstukken
Kullanım, bakım ve yedek parça kılavuzu

Parte 2
Part 2
Teil 2
Partie 2
Part 2
Μέρος 2
Parte 2
Deel 2
Kısım 2



SN34.65 MC

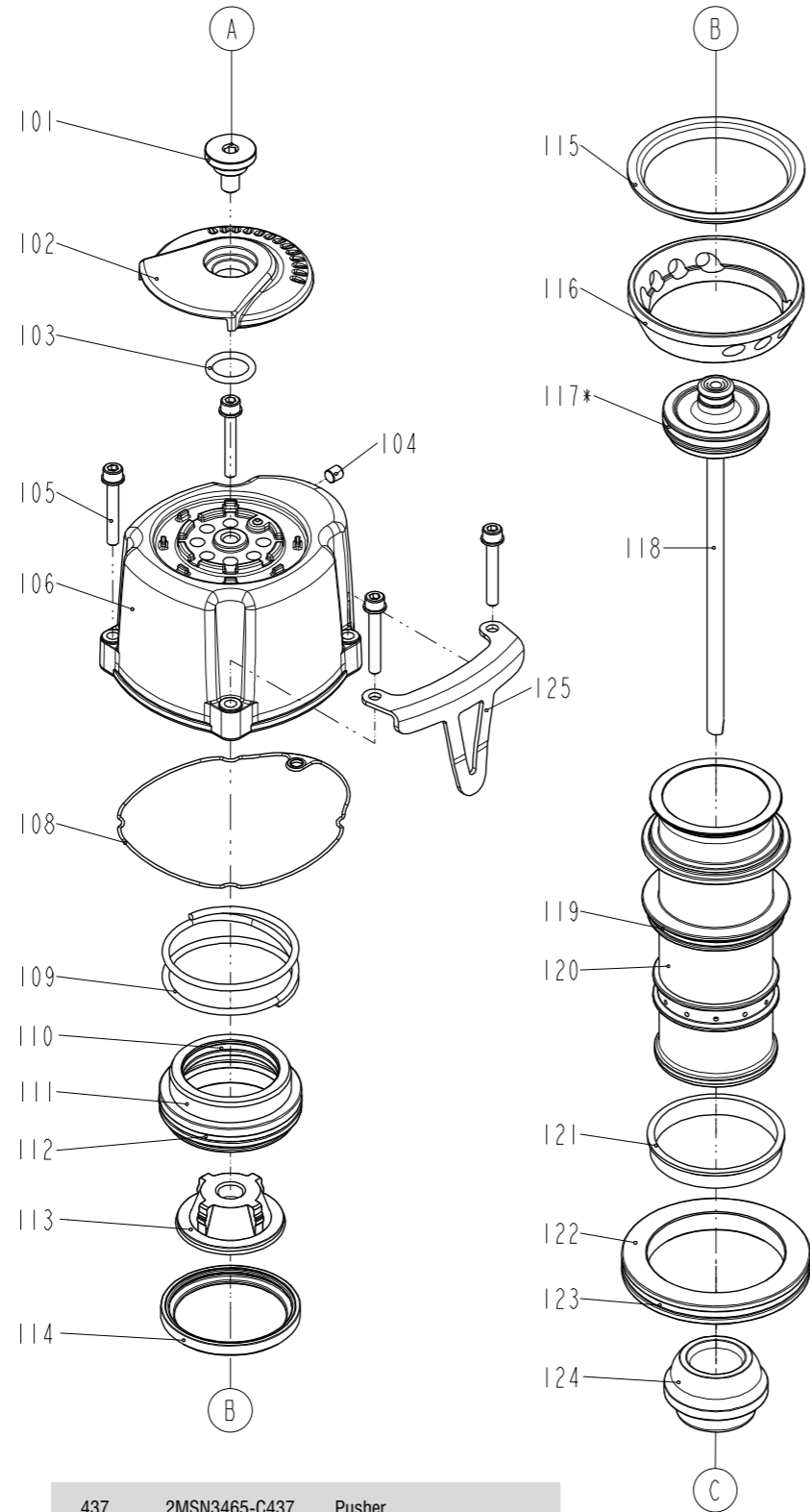
cod. 195MSN3465MC



Dati tecnici Technical data Technische Daten	Caractéristiques techniques Datos técnicos Τεχνικά χαρακτηριστικά	Dados técnicos Technische gegevens Teknik veriler
Misure impiegabili mm Lengths mm Verwendbare Nagellänge mm	Dimensions utiles mm Medidas de longitud mm Μήκος Αναλωσίμου - mm	Medidas utilizáveis mm Toepasbare afmetingen mm Boy mm
Capacità caricatore n° punti Magazine capacity Magazinkapazität Nägel	Capacité chargeur n° de points Capacidad cargador n° puntos Δωανατοτητα γεμιστερα	Capacidade carregador n° pontos Capaciteit magazijn in aantal spijkers Dergi kapasitesi
Pressione d'esercizio Operating pressure Betriebsdruck	Pression d'exercice Presión de servicio Πίεση λειτουργίας	Pressão de serviço Werkdruk Çalışma basıncı
Consumo aria litri/colpo Air consumption litres/stroke Luftverbrauch Liter/Schuss	Consommation d'air litres/coup Consumo aire litros/golpe Κατανάλωση αέρα - λίτρα/βολή	Consumo ar litros/disparo Luchtverbruik liter/slag Litre/vuruş hava tüketimi
Peso kg Weight kg Gewicht kg	Poids kg Peso kg Βάρος - kg	Peso kg Gewicht in kg Ağırlık kg
Dimensioni mm Dimensions mm Abmessungen mm	Dimensions mm Dimensiones mm Διαστάσεις mm	Dimensões mm Afmetingen mm Boyutlar mm
UNI EN 12549 :2009 UNI EN ISO 4871 :2009	Pressione sonora in pos. operatore Sound pressure in operator's position Schalldruck am Arbeitsplatz	Pressão sonora na posição Operador Geluidsdruk op de werkplaats Operatör pozisyonunda ses basıncı
UNI EN 12549 :2009 UNI EN ISO 3746 :2011 UNI EN ISO 4871 :2009	Potenza sonora emessa Sound power emitted Emittierte Schallleistung	Potência sonora emitida Geëmitteerd geluidsvermogen Çıkan ses gücü (ses desibel)
UNI CEN ISO/TS 8662-11 :2006 UNI EN ISO 5349-2 :2004 UNI EN 12096 :1999	Emissione vibratoria sull'impugnatura Vibratory emissions on handle Vibrationsemission am Griff	Emissão vibratória na empunhadura Trillingsemissie op de handgreep Tutamak üzerinde vibrasyon emisyonları

Ref. No. Part No. Description

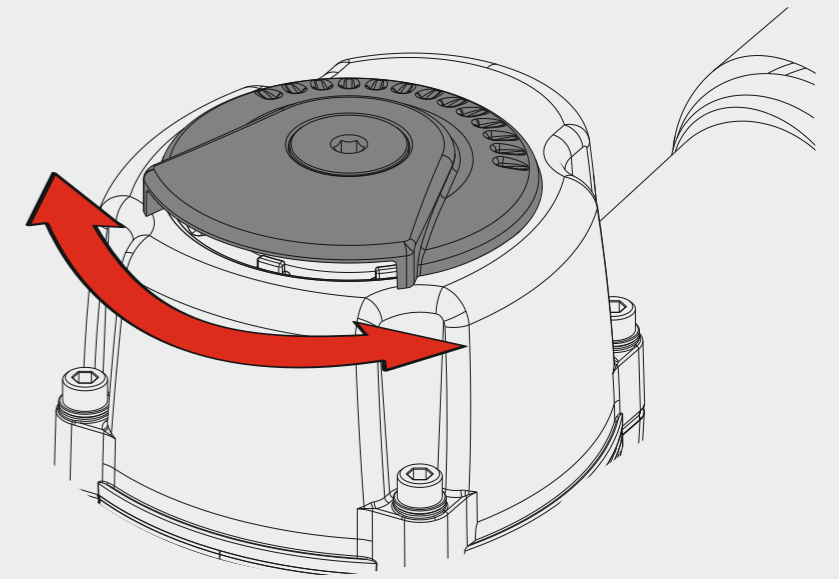
101	2MM365-A101	Deflector Pad
102	2MM365-A102	Deflector
103	2MM365-A103	O-Ring
104	2MCN3390-A111	Hex. Soc. Hd. Screw
105	2MM365-A104	Bolt w/flat washer
106	2MSN3465-C106	Cap
108	2MM365-A115	Packing
109	2MSN3465-C109	Compression Spring
110	2MCN2970-A109	O-Ring
111	2MSN3465-C111	Hd. Valve Piston
112	2MCN3145-A118	O-Ring
113	2MSN3465-C113	Seal
114	2MSN3465-C114	Collar
115	2MM365-A116	Press Ring
116	2MCP3365-A117	Cylinder Ring
117	2MSN3465-C117	O-Ring
118	2MSN3465-C118	Driver Unit
119	2MM365-A122	O-Ring
120	2MSN3465-C120	Cylinder
121	2MM365-A125	Cylinder Ring
122	2MM365-A123	Cylinder Spacer
123	2MM365-A124	O-Ring
126	2MCN3165-A124	Bumper
125	2MSN3465-C125	Spring Retainer
201	2MCN3165-A201	O-Ring
202	2MCN3165-A203	Plunger Cap
203	2MCN3165-A202	O-Ring
204	2MS29160-A205	Valve Plunger
205	2MCN3165-A205	O-Ring
206	2MCN3165-A206	O-Ring
207	2MCN3165-A207	Spring
208	2MCN2550-A208	Plunger
209	2MCN3165-A209	O-Ring
210	2MCN3165-A210	Trigger Valve Head
211	2MCN3165-A211	Spring Pin
212	2MCN3165-A212	Spring Pin
213	2MCN3165-A213	Spring Pin
214	2MCP3365-A215	Spring
215	2MCP3365-A214	Trigger Unit
301	2MSN3465-C301	Gun Body Unit
302	2MCN3165-A302	End Cap
303	2MCN3165-A303	O-Ring
304	2MCN3165-A304	Dusty Cover
305	2MCN3165-A305	Air Plug
401	2MCN3165-A458	O-Ring
402	2MCN3165-A402	O-Ring
403	2MSN3465-C403	Nose Piece
404	2MDB1564-A403	Bolt Assy
405	2MCN3165-A432	Safety Guide
406	2MSN3465-C406	Safety Spring
407	2MSN3465-C407	Safety B Unit
408	2MCN3165-A433	Spring Pin
409	2MSN3465-C409	Adjust Rod
410	2MSN3465-C410	Ring
411	2MCN3165-A439	O-Ring
412	2MSN3465-C412	Adjust Regulator
413	2MSN3465-C413	Safety Unit
414	2MSN3465-C414	Spring
415	2MSN3465-C415	Latch Spring Bushing
416	2MCN3165-A452	Flat Washer
417	2MCN3165-A101	Hex. Soc. Hd. Bolt
418	2MCP3365-A438	Hex. Soc. Hd. Bolt
419	2MSN3465-C419	Probe
420	2MSN3465-C420	Guide Block
421	2MSN3465-C421	Spring
422	2MCP3365-A435	Half Round hd. Hex. Bolt
424	2MSN3465-C424	Gasket
425	2MSN3465-C425	Hex. Soc. Hd. Bolt
426	2MSN3465-C426	Safety Cover
427	2MSN3465-C427	Magazine A
428	2MSN3465-C428	Steel Channel
429	2MSN3465-C429	Protecting Hood Cover
430	2MCN3390-A120	Half Round hd. Hex. Bolt
431	2MSN3465-C431	Stop Nail Plate
432	2MSN2210-A439	Lock Nut
433	2MSN3465-C433	Probe
434	2MSN2210-A416	Hex. Soc. Hd. Bolt
435	2MSN3465-C435	Spring
436	2MSN3465-C436	Protecting Hood Cover
437	2MSN3465-C437	Pusher



437	2MSN3465-C437	Pusher
438	2MSN3465-C438	Stopper finger Spring
439	2MSN3465-C439	Fixed Pin
440	2MSN3465-C440	Safety Stopper
441	2MCN3165-A416	Urethane Retainer
442	2MSN2210-A418	Lock Nut
443	2MCN3165-A428	Hex. Soc. Hd. Bolt
444	2MCN3165-A431	Bolt Cap
445	2MSN3465-C445	Latch Spring Bushing
446	2MSN3465-C446	Half Round hd. Hex. Bolt
447	2MSN3465-C447	Half Round hd. Hex. Bolt
448	2MCN3165-A454	Lock Nut
449	2MSN3465-C449	Spring
450	2MSN3465-C450	Fixed Pin
451	2MSN3465-C451	Nail Stop

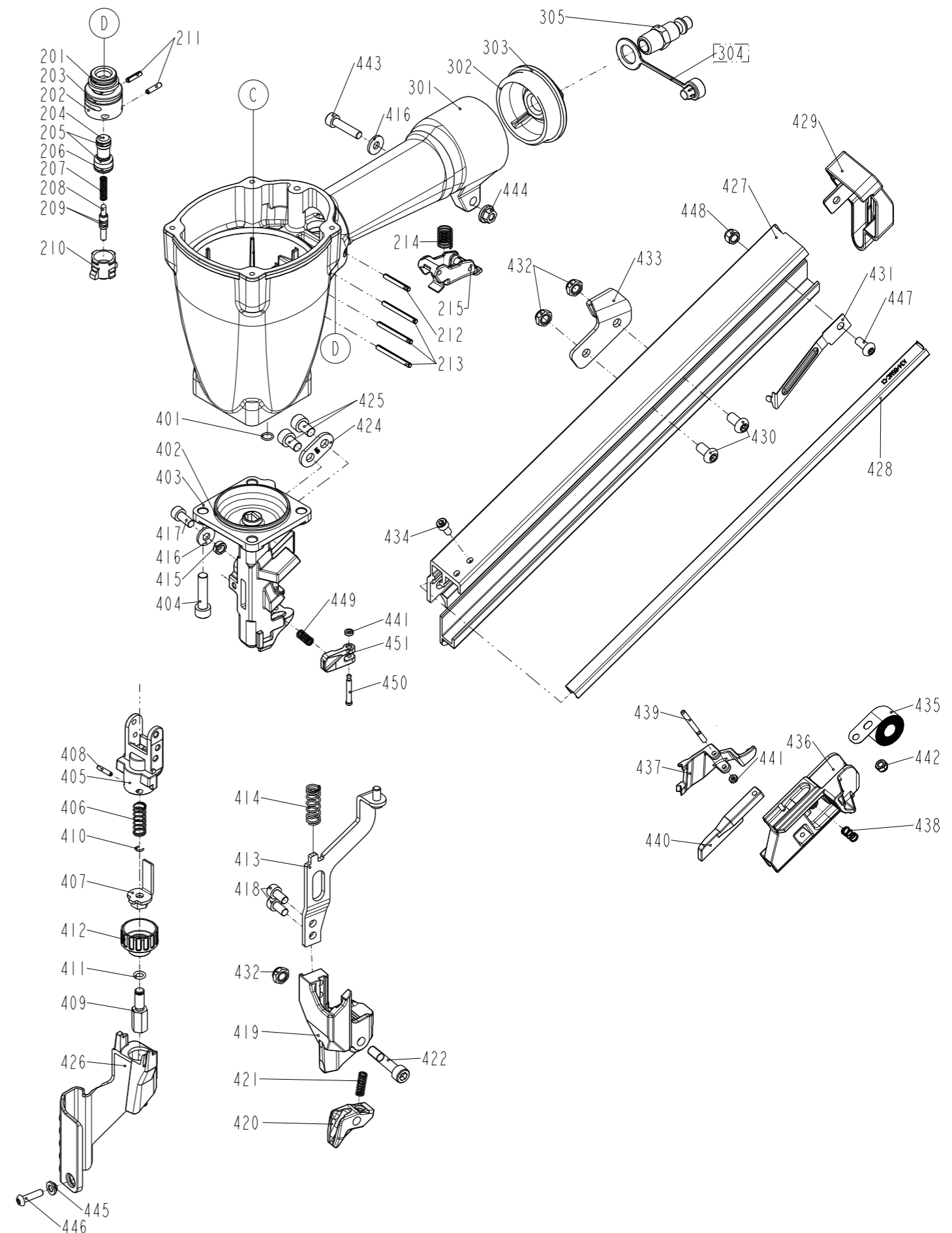
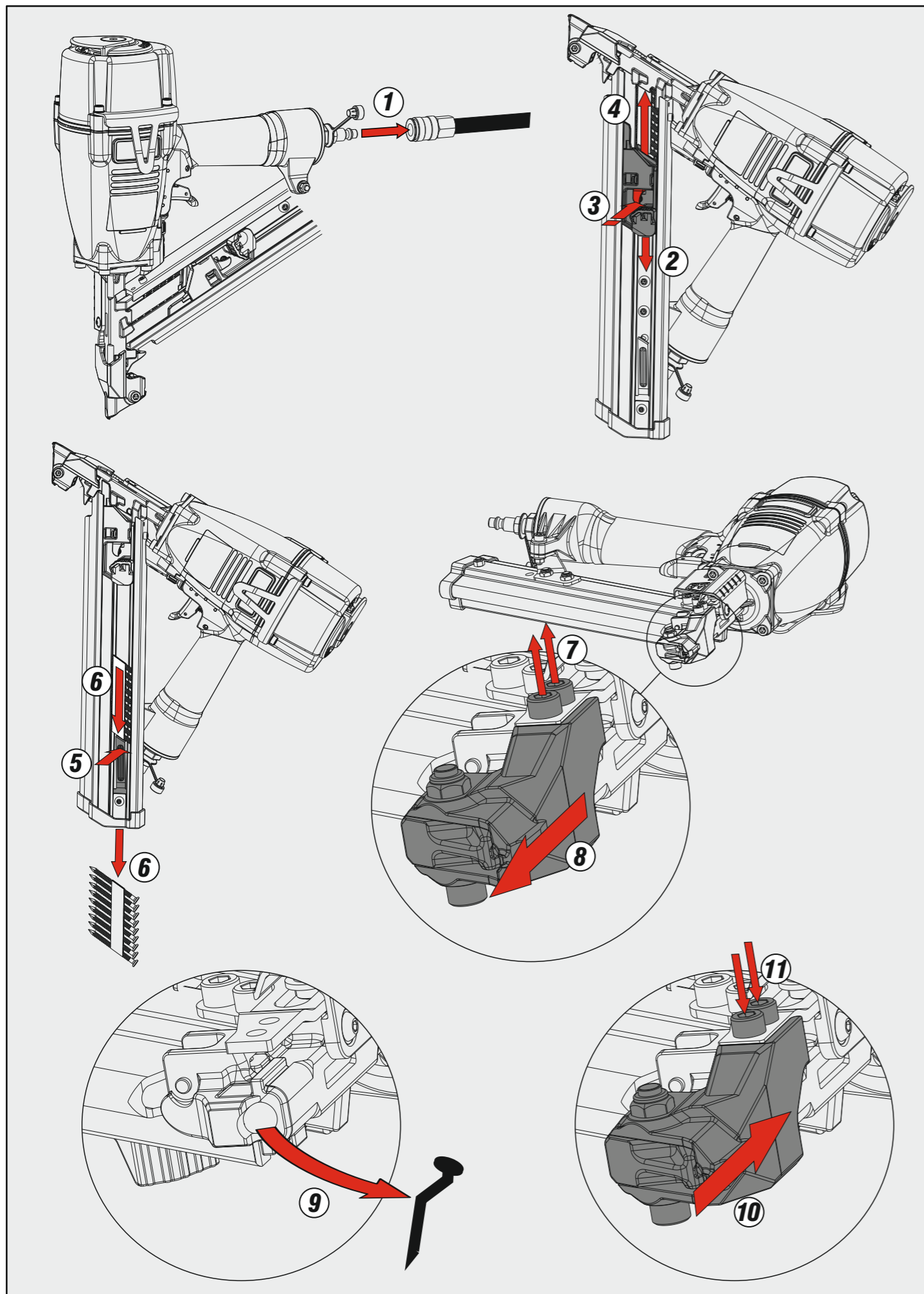
Caratteristiche - Features - Merkmale - Caractéristiques - Características - Χαρακτηριστικά - Características - Kenmerken - Özellikler

Scarico orientabile a 360°
360° adjustable exhaust



Note - Notes - Hinweise - Remarques - Notas - Σημειώσεις - Observações - Opmerkingen - Notlar

Parti di ricambio - Spare parts - Ersatzteile - Pièces de rechange - Recambios
Ανταλλακτικά - Partes sobresselentes - Wisselstukken - Yedek parçalar



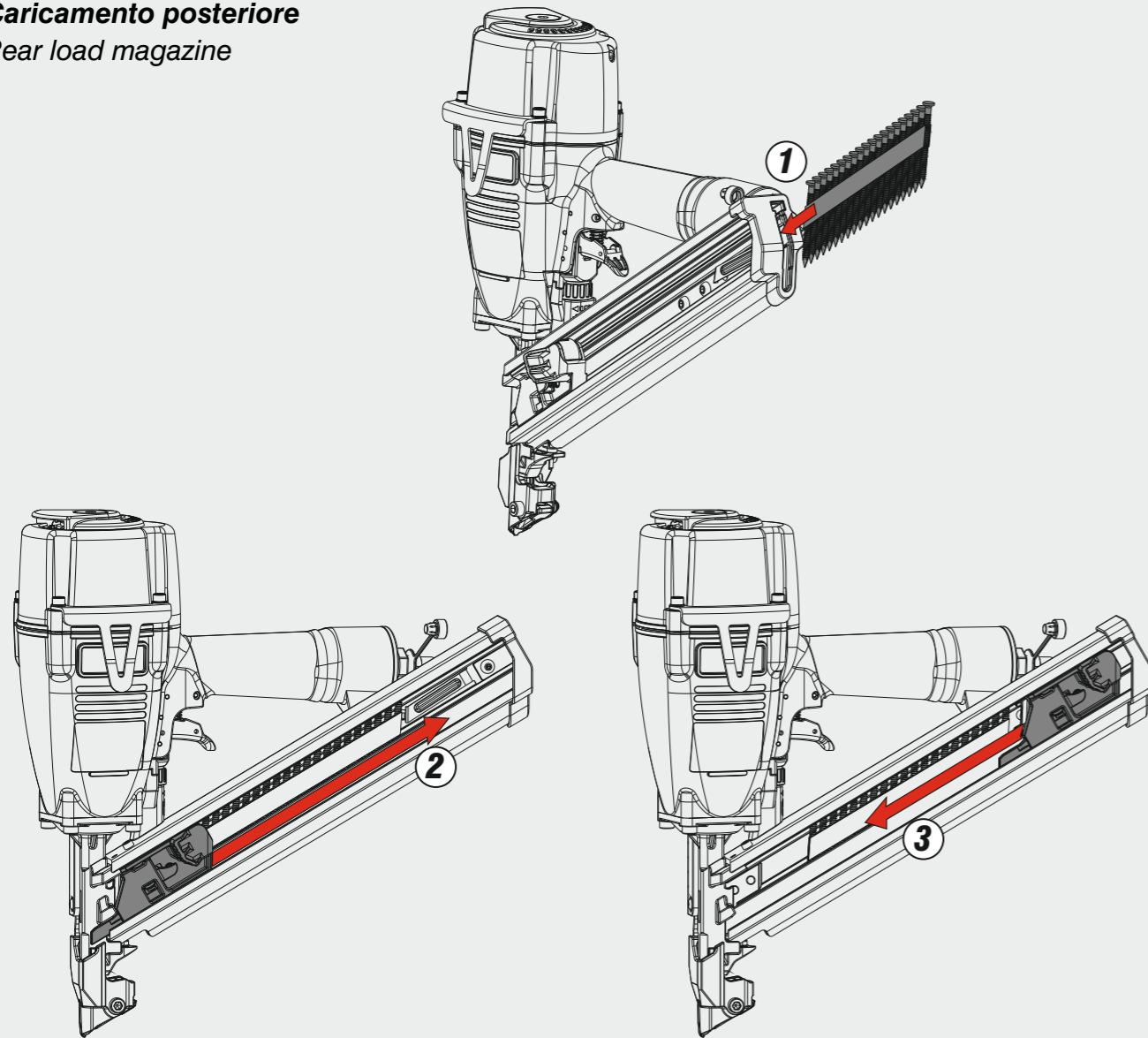
SN34.65 MC

cod. 195MSN3465MC

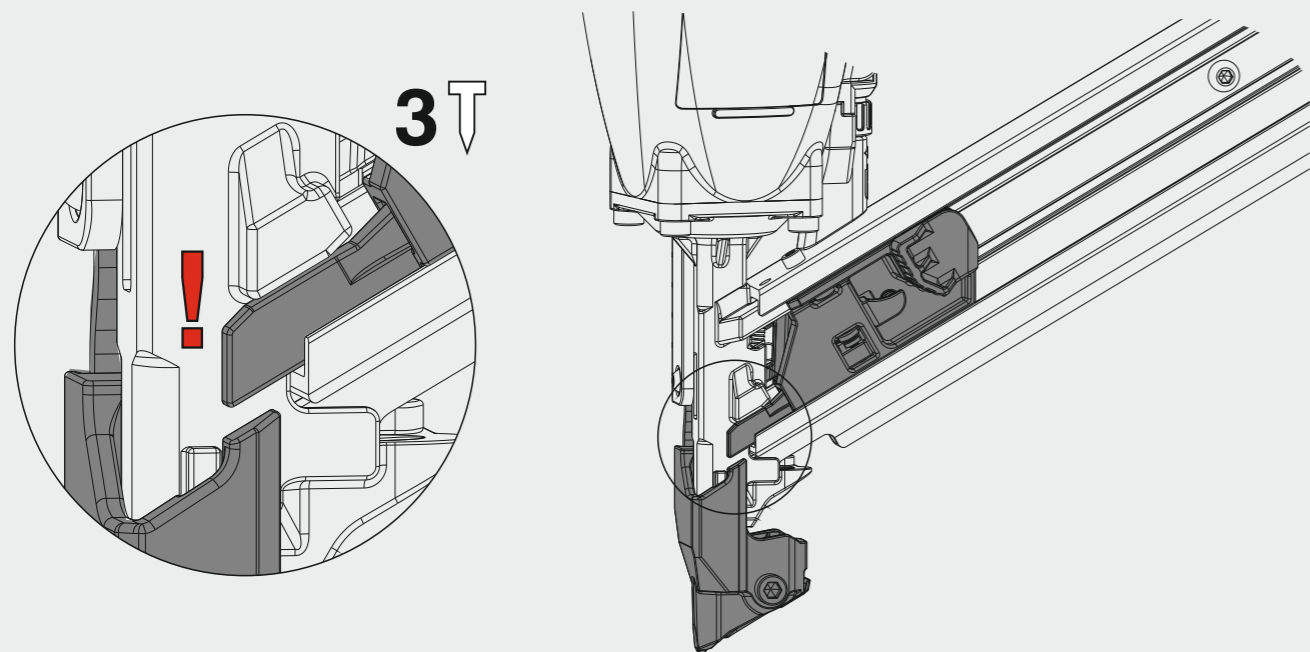
Indice di modifica
 Upgrade number

C1

Caricamento posteriore
Rear load magazine



Blocco sparo a caricatore vuoto - Fire lock on low magazine



Azionamento sequenziale singolo
Single sequential actuation

