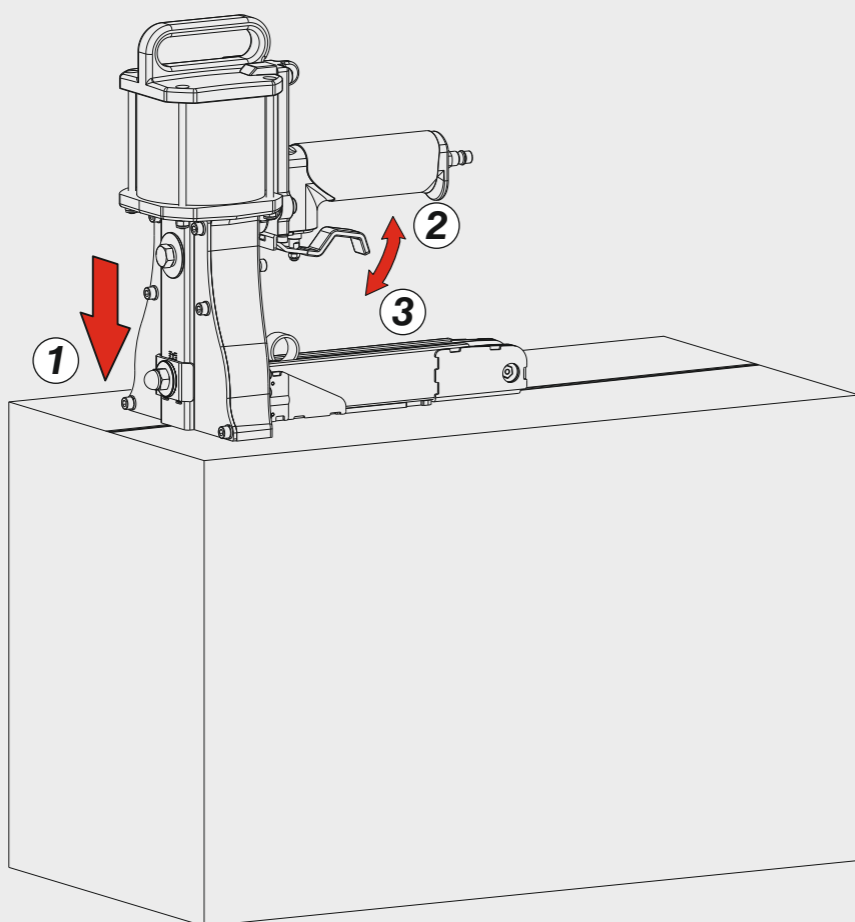
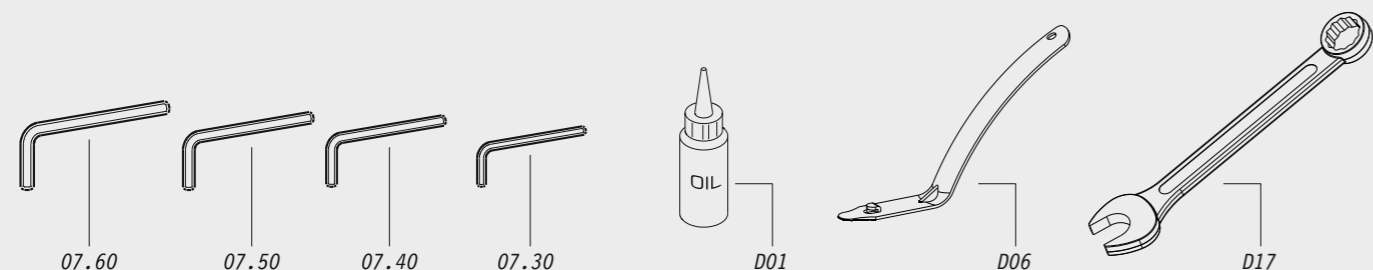


**Azionamento singolo**  
Single actuation



**Dotazioni - Equipment - Ausstattung - Outillage - Dotaciones - Εξοπλισμός**  
Dotações - Uitrusting - Donanımlar - Utrustning



<b>Manuale d'uso, manutenzione e parti di ricambio</b>	<b>Parte 2</b>
<b>Manual for use, maintenance and spare parts</b>	<b>Part 2</b>
<b>Bedienungs- und Wartungshandbuch sowie Ersatzteilleiste</b>	<b>Teil 2</b>
<b>Mode d'emploi, de maintenance et pièces de rechange</b>	<b>Partie 2</b>
<b>Manual de uso, mantenimiento y recambios</b>	<b>Part 2</b>
<b>Εγχειρίδιο χρήσης, συντήρησης και ανταλλακτικών</b>	<b>Μέρος 2</b>
<b>Manual de uso, manutenção e peças sobresselentes</b>	<b>Parte 2</b>
<b>Handleiding voor gebruik, onderhoud en wisselstukken</b>	<b>Deel 2</b>
<b>Kullanım, bakım ve yedek parça kılavuzu</b>	<b>Kısım 2</b>
<b>Användar-, underhålls- och reservdelshandbok</b>	<b>Del 2</b>



**JUMBO 32.32**

cod. 19732T3



<b>Dati tecnici</b> Technical data Technische Daten Tekniska data	<b>Caractéristiques techniques</b> Datos técnicos Τεχνικά χαρακτηριστικά	<b>Dados técnicos</b> Technische gegevens Teknik veriler
--	--	--

<b>Misure impiegabili</b> Lengths Verwendbare Nagellänge Dimensioner som kan användas	<b>Dimensions utiles</b> Medidas de longitud Μήκος Αναλωσίμου	<b>Medidas utilizáveis</b> Toepasbare afmetingen Boy	<b>32 ÷ 35</b>
<b>Capacità caricatore n° punti</b> Magazine capacity Magazinkapazität Nägel Magasinkapacitet Antal punkter	<b>Capacité chargeur n° de points</b> Capacidad cargador n° puntos Δωνατοτητα γεμιστερα	<b>Capacidade carregador n° pontos</b> Capaciteit magazijn in aantal spijkers Dergi kapasitesi	<b>100</b>
<b>Pressione d'esercizio</b> Operating pressure Betriebsdruck Drifttryck	<b>Pression d'exercice</b> Presión de servicio Πίεση λειτουργίας	<b>Pressão de serviço</b> Werkdruk Çalışma basıncı	<b>5 ÷ 7 bar</b> <b>70 ÷ 100 psi</b>
<b>Consumo aria</b> Air consumption Luftverbrauch Luftförbrukning	<b>Consommation d'air</b> Consumo aire Κατανάλωση αέρα	<b>Consumo ar</b> Luchtverbruik Hava tüketimi	<b>6,70</b>
<b>Peso</b> Weight Gewicht Vikt	<b>Poids</b> Peso Βάρος	<b>Peso</b> Gewicht Ağırlık	<b>6,00</b>
<b>Dimensioni</b> Dimensions Abmessungen Dimensioner (AxBxH)	<b>Dimensions</b> Dimensiones Διαστάσεις	<b>Dimensões</b> Afmetingen Boyutlar	<b>360x174x335</b> (LxWxH)

<b>EN 12549 :2009 EN ISO 4871 :2009</b>	<b>Pressione sonora in pos. operatore</b> Sound pressure in operator's position Schalldruck am Arbeitsplatz Ljudtryck på operatörsplatsen	<b>Pression sonore poste Opérateur</b> Presión sonora en la pos. del operador Ηχητική πίεση στη θέση του χειριστή Operatör pozisyonunda ses basıncı	<b>80 dB(A)</b> (K= 4 dB)
---	--	--	------------------------------

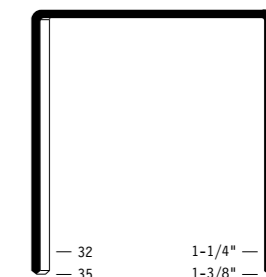
<b>EN 12549 :2009 EN ISO 3746 :2011 EN ISO 4871 :2009</b>	<b>Potenza sonora emessa</b> Sound power emitted Emitierte Schalleistung Avgiven ljudeffekt	<b>Puissance sonore émise</b> Potencia sonora emitida Εκπεμπόμενη ηχητική ισχύς	<b>Potência sonora emitida</b> Geëmitteerd geluidsvermogen Çıkan ses gücü (ses desibel)	<b>93 dB(A)</b> (K= 4 dB)
---	--	---	---	------------------------------

<b>CEN ISO/TS 8662-11 :2006 EN ISO 5349-2 :2004 EN 12096 :1999</b>	<b>Emissione vibratoria sull'impugnatura</b> Vibratory emissions on handle Vibrationsemission am Griff Vibrationsemission på handtaget	<b>Émission vibratoire sur la prise en main</b> Emisión de vibraciones en la empuñadura Εκπεμπόμενες δονήσεις στη λαβή Tutamak üzerinde vibrasyon emisyonları	<b>&lt;2,5 m/s<sup>2</sup></b> (K= 2 m/s <sup>2</sup> )
--	---	--	--

**Tipo di punto**  
Type of fastener  
Befestigungsmittel  
Type de rivet  
Τύπος αναλωσίμου  
Tipo de agrafo  
Type nietjes  
Zimba ve çivi tipleri

**32**

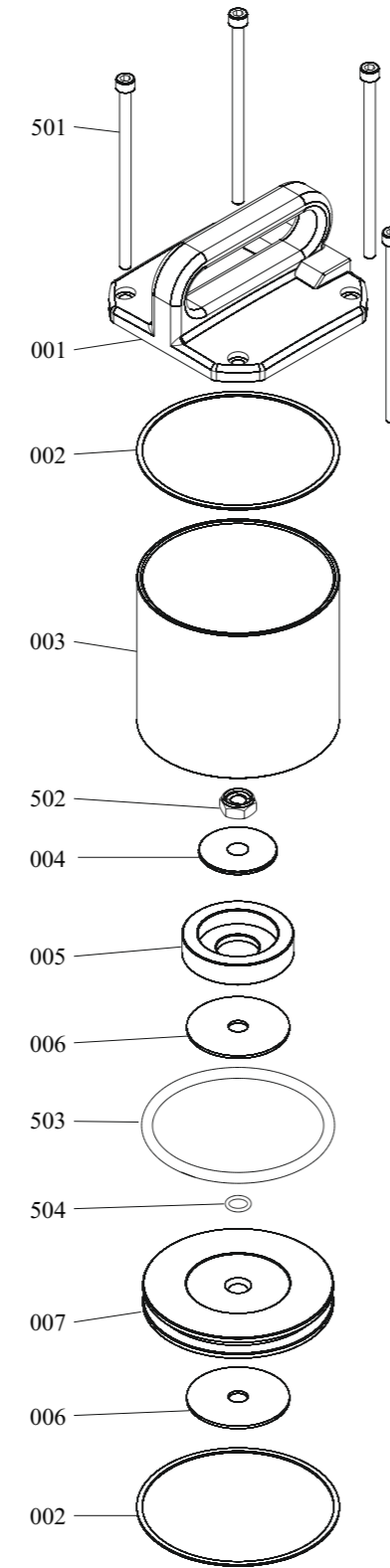
1,30x2,25



Crown: 1.260" (1-1/4")  
Gauge: 14

Ref. No.	Part No.	Description	Q.ty
----------	----------	-------------	------

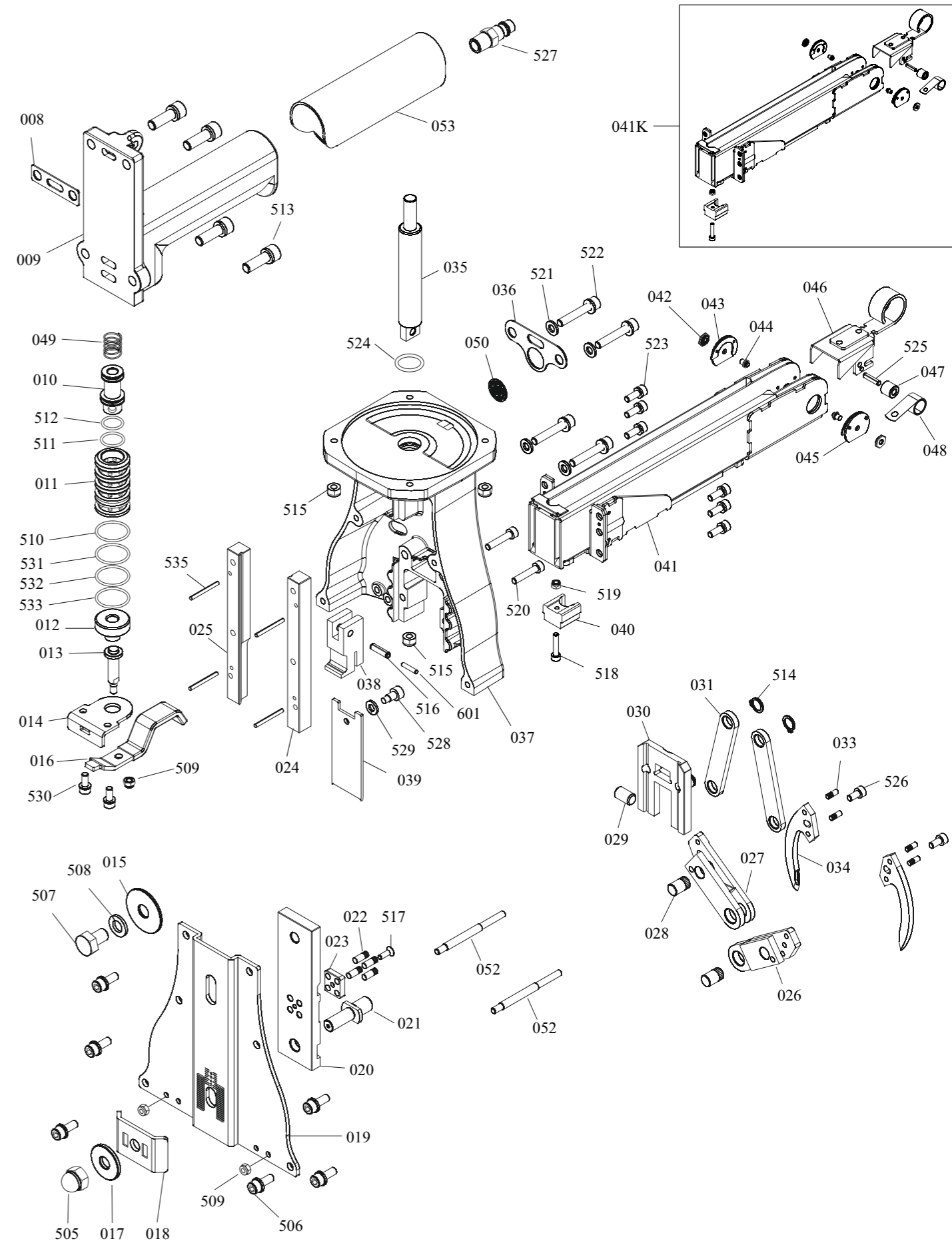
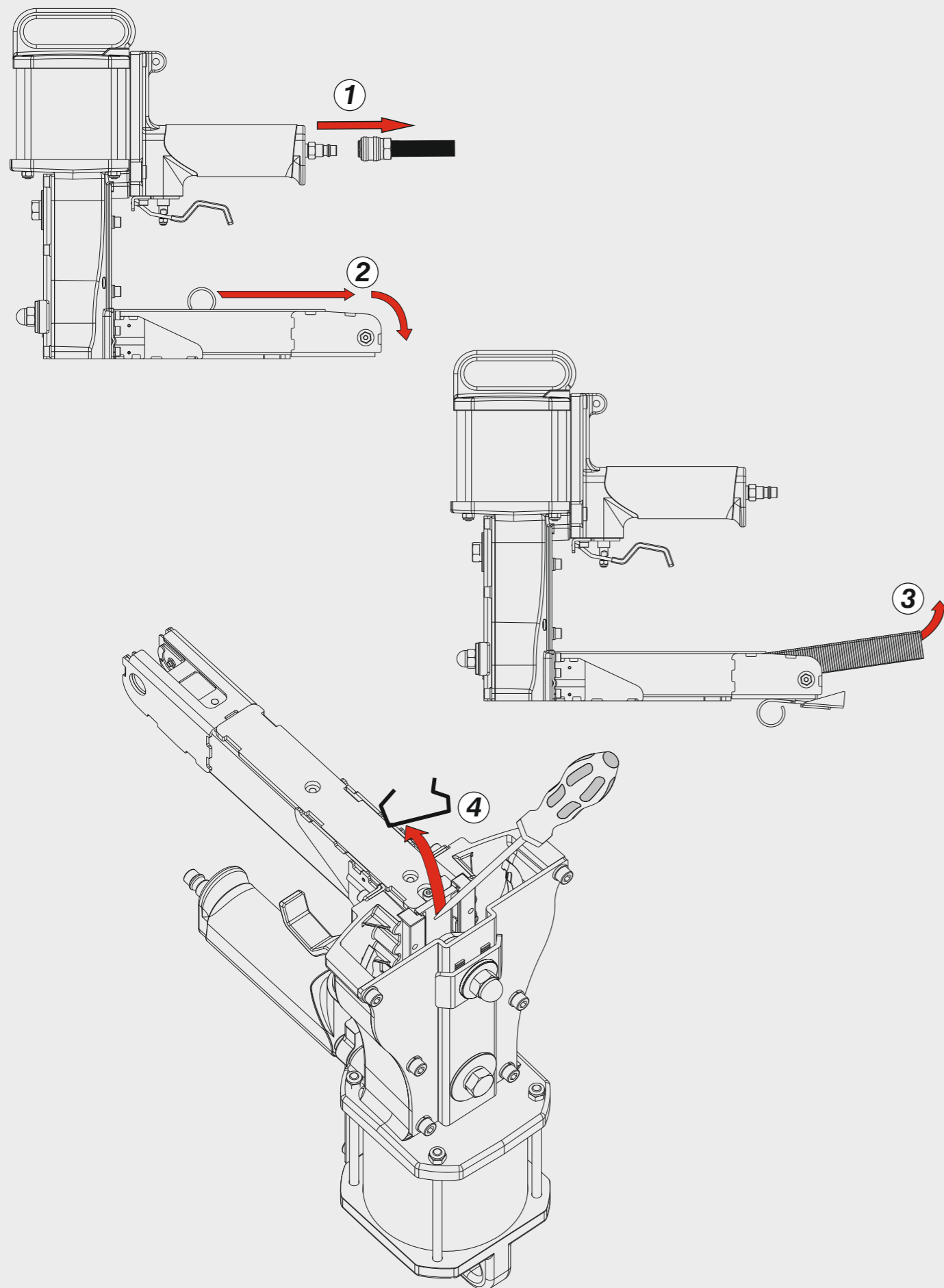
001	2CRTJM32B001	Cap	1
002	2CRTJM32A002	Packing	2
003	2CRTJM32A003	Cylinder	1
004	2CRTJM32A004	Washer	1
005	2CRTJM32A005	Bumper	1
006	2CRTJM32A006	Washer	2
007	2CRTJM32A007	Piston	1
008	2CRTJM32A008	Packing	1
009	2CRTJM32B009	Handle	1
010	2CRTJM32B010	Valve	1
011	2CRTJM32B011	Tube	1
012	2CRTJM32B012	Cover	1
013	2CRTJM32B013	Rod	1
014	2CRTJM32A014	Bracket	1
015	2CRTJM32A015	Washer	1
016	2CRTJM32B016	Trigger	1
017	2CRTJM32A017	Washer	1
018	2CRTJM32A018	Adjust Plate	1
019	2CRTJM32C019	Front Plate	1
020	2CRTJM32A020	Adjusting Block	1
021	2CRTJM32A021	Adjusting Rod	1
022	2CRTJM32A022	Pin	4
023	2CRTJM32A023	Block	1
024	2CRTJM32C024	Trail Right	1
025	2CRTJM32C025	Trail Left	1
026	2CRTJM32C026	Clincher Seat Right	1
027	2CRTJM32C027	Clincher Seat Left	1
028	2CRTJM32A028	Rod	2
029	2CRTJM32A029	Rod	1
030	2CRTJM32A030	Block Unit	1
031	2CRTJM32A031	Link	2
033	2CRTJM32A032	Rod	4
034	2CRTJM32C034	Clincher x mod.32.32	2
035	2CRTJM32A035	Piston Rod	1
036	2CRTJM32A036	Packing	1
037	2CRTJM32C037	Magazine Seat	1
038	2CRTJM32A038	Block	1
039	2CRTJM32B039	Driver	1
040	2CRTJM32A040	Bracket	1
041	2CRTJM32B041	Magazine Unit	1
041K	2CRTJM32A041K	Magazine kit	1
042	2CRTJM32A042	Rod Nut	2
043	2CRTJM32A043	Left Pusher Guide	1
044	2CRTJM32A044	Rod	2
045	2CRTJM32A045	Right Pusher Guide	1
046	2CRTJM32A046	Pusher Unit	1
047	2CRTJM32A047	Roller	1
048	2CRTJM32B048	Spring	1
049	2CRTJM32A049	Spring	1
050	2CRTJM32B050	Silencer	1
052	2CRTJM32C052	Rod	2
053	2CRTJM32B053	Grip	1
501	2CRTJM32B501	Hex.Soc.Hd.Bolt	4
502	2CRTJM32B502	Lock Nut	1
503	2CRTJM32A503	O-Ring	1
504	2CRTJM32A504	O-Ring	1
505	2CRTJM32A505	Round Hd Nut	1
506	2CRTJM32A506	Hex.Soc.Hd.Bolt	6
507	2CRTJM32A507	Hex.Hd.Bolt	1
508	2CRTJM32A508	Spring Washer	1
509	2CRTJM32B509	Nut	3
510	2CRTJM32B510	O-Ring	4
511	2CRTJM32A511	O-Ring	1
512	2CRTJM32A512	O-Ring	1
513	2CRTJM32A513	Hex.Soc.Hd.Bolt	4
514	2CRTJM32A514	C-Ring	2
515	2CRTJM32A515	Lock Nut	4
516	2CRTJM32A516	Spring Pin	1
517	2CRTJM32A517	Hex.Flat. Hd.Screw	1
518	2CRTJM32A518	Hex.Flat. Hd.Screw	1
519	2CRTJM32A519	Lock Nut	1
520	2CRTJM32A520	Hex.Soc.Hd.Bolt	2
521	2CRTJM32A521	Washer	4
522	2CRTJM32A522	Hex.Soc.Hd.Bolt	4



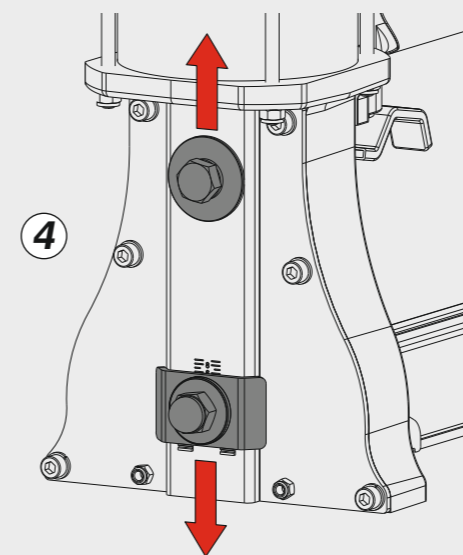
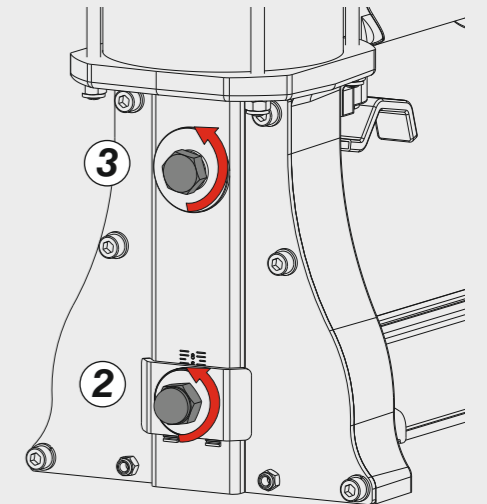
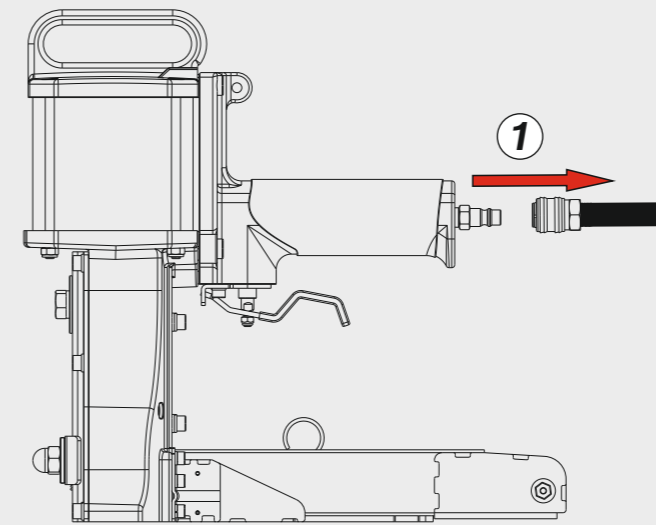
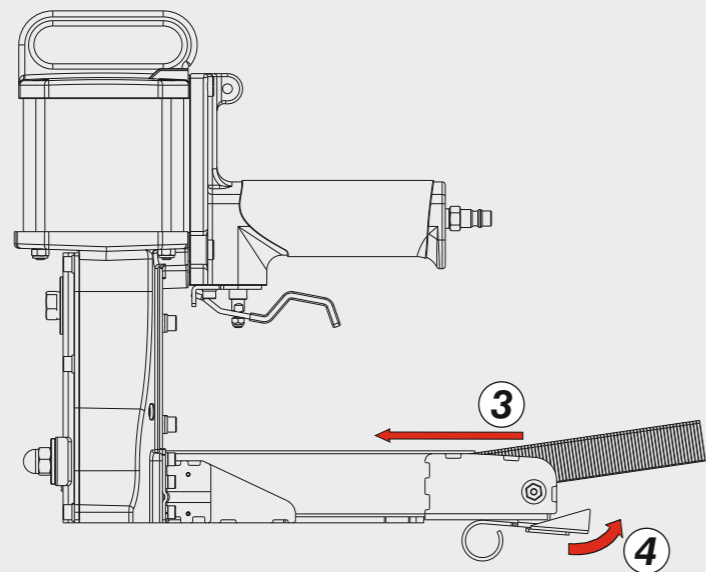
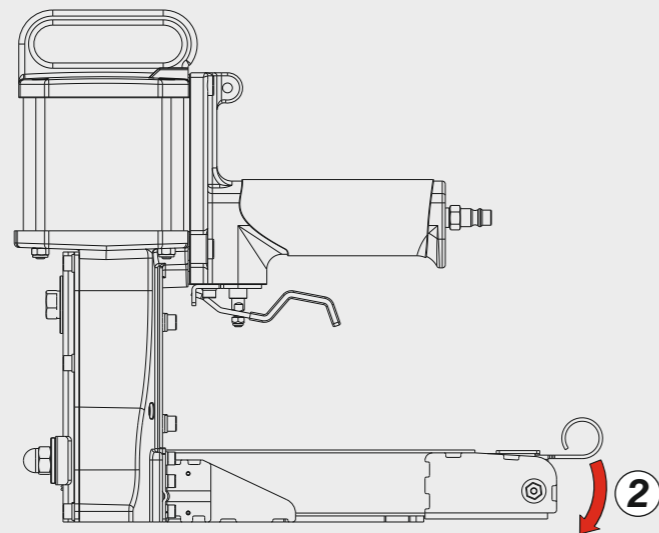
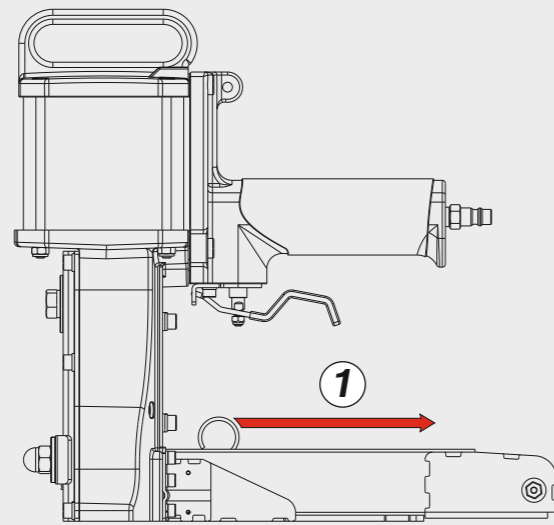
523	2CRTJM32A523	Hex.Soc.Hd.Bolt	6
524	2CRTJM32A524	O-Ring	1
525	2CRTJM32A525	Spring Pin	1
526	2CRTJM32B526	Hex.Soc.Hd.Bolt	2
527	2CRTJM32A527	Air Plug	1
528	2CRTJM32A528	Fixing Blot	1
529	2CRTJM32A529	Spring Washer	1
530	2CRTJM32A530	Hex.Soc.Hd.Bolt	2
531	2CRTJM32B531	O-Ring	1
532	2CRTJM32B532	O-Ring	1
533	2CRTJM32B533	O-Ring	1
535	2CRTJM32C535	Pin	4
601	2CRTJM32C601	Pin	1

Note - Notes - Hinweise - Remarques - Notas - Σημειώσεις - Observações - Opmerkingen - Notlar - Anteckningar

Parti di ricambio - Spare parts - Ersatzteile - Pièces de rechange - Recambios  
Ανταλλακτικά - Partes sobresselentes - Wisselstukken - Yedek parçalar - Reservdelar



**Caricamento da dietro**  
Rear load magazine



5

L		S
32mm	5	18mm
35mm	4	18mm

