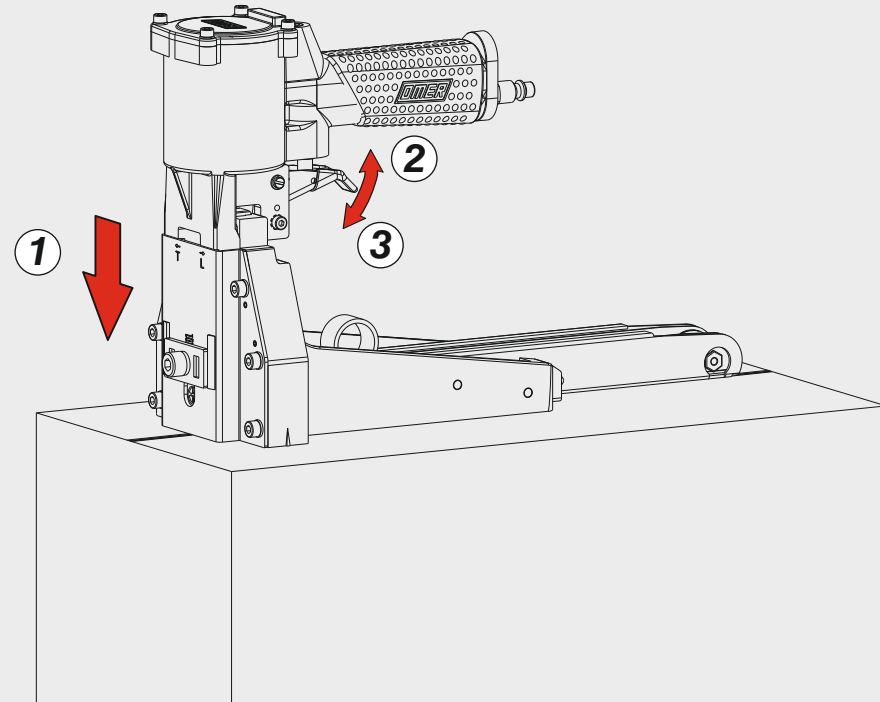
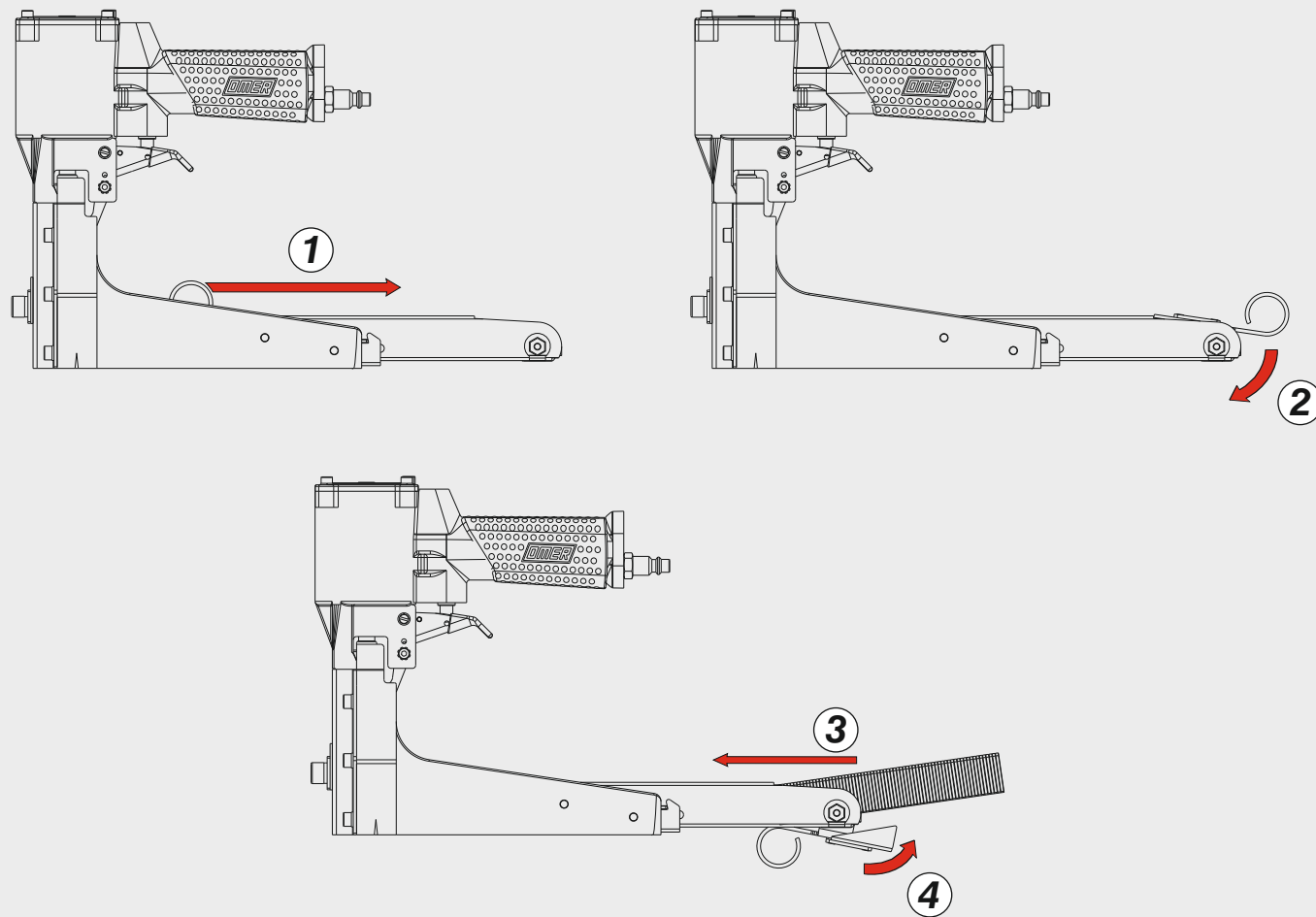


**Azionamento singolo**  
Single actuation

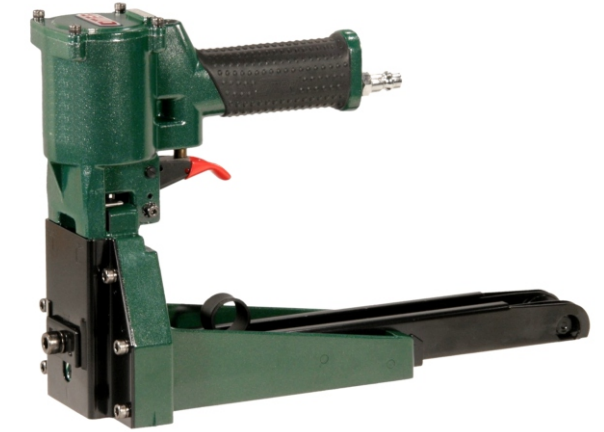


Caricamento - Loading - Laden - Chargement - Carga - Γέμισμα - Carregamento - Laden - Yükleme

**Caricamento da dietro**  
Rear load magazine



**Manuale d'uso, manutenzione e parti di ricambio** **Parte 2**  
**Manual for use, maintenance and spare parts** **Part 2**  
**Bedienungs- und Wartungshandbuch sowie Ersatzteilleiste** **Teil 2**  
**Mode d'emploi, de maintenance et pièces de rechange** **Partie 2**  
**Manual de uso, mantenimiento y recambios** **Part 2**  
**Εγχειρίδιο χρήσης, συντήρησης και ανταλλακτικών** **Μέρος 2**  
**Manual de uso, manutenção e peças sobresselentes** **Parte 2**  
**Handleiding voor gebruik, onderhoud en wisselstukken** **Deel 2**  
**Kullanım, bakım ve yedek parça kılavuzu** **Kısım 2**



**34.18**

cod. 197B18T2

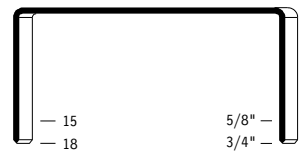


Dati tecnici Technical data Technische Daten	Caractéristiques techniques Datos técnicos Τεχνικά χαρακτηριστικά	Dados técnicos Technische gegevens Teknik veriler
<b>Misure impiegabili mm</b> Lengths mm Verwendbare Nagellänge mm	Dimensions utiles mm Medidas de longitud mm Μήκος Αναλωσίμου - mm	Medidas utilizáveis mm Toepasbare afmetingen mm Boy mm
		<b>15 ÷ 18</b>
<b>Capacità caricatore n° punti</b> Magazine capacity Magazinkapazität Nägel	Capacité chargeur n° de points Capacidad cargador n° puntos Δωνατοτητα γεμιστερα	Capacidade carregador n° pontos Capaciteit magazijn in aantal spijkers Dergi kapasitesi
		<b>120</b>
<b>Pressione d'esercizio</b> Operating pressure Betriebsdruck	Pression d'exercice Presión de servicio Πίεση λειτουργίας	Pressão de serviço Werkdruk Çalışma basıncı
		<b>5 ÷ 7 bar 70 ÷ 100 psi</b>
<b>Consumo aria litri/colpo</b> Air consumption litres/stroke Luftverbrauch Liter/Schuss	Consommation d'air litres/coup Consumo aire litros/golpe Κατανάλωση αέρα - λίτρα/βολή	Consumo ar litros/disparo Luchtverbruik liter/slag Litre/vuruş hava tüketimi
		<b>1,32</b>
<b>Peso kg</b> Weight kg Gewicht kg	Poids kg Peso kg Βάρος - kg	Peso kg Gewicht in kg Ağırlık kg
		<b>2,45</b>
<b>Dimensioni mm</b> Dimensions mm Abmessungen mm	Dimensions mm Dimensiones mm Διαστάσεις mm	Dimensões mm Afmetingen mm Boyutlar mm
		<b>342x115x222</b> (LxWxH)
<b>UNI EN 12549 :2009 UNI EN ISO 4871 :2009</b>		
<b>Pressione sonora in pos. operatore</b> Sound pressure in operator's position Schalldruck am Arbeitsplatz	Pression sonore poste Opérateur Presión sonora en la pos. del operador Ηχητική πίεση στη θέση του Χειριστή	Pressão sonora na posição Operador Geluidsdruk op de werkplaats Operatör pozisyonunda ses basıncı
		<b>84,3 dB(A)</b> (K= 4 dB)
<b>UNI EN 12549 :2009 UNI EN ISO 3746 :2011 UNI EN ISO 4871 :2009</b>		
<b>Potenza sonora emessa</b> Sound power emitted Emittierte Schallleistung	Puissance sonore émise Potencia sonora emitida Εκπεμπόμενη ηχητική ισχύς	Potência sonora emitida Geëmitteerd geluidsvermogen Çıkan ses gücü (ses desibel)
		<b>93,7 dB(A)</b> (K= 4 dB)
<b>UNI CEN ISO/TS 8662-11 :2006 UNI EN ISO 5349-2 :2004 UNI EN 12096 :1999</b>		
<b>Emissione vibratoria sull'impugnatura</b> Vibratory emissions on handle Vibrationsemission am Griff	Émission vibratoire sur la prise en main Emisión de vibraciones en la empuñadura Εκπεμπόμενες δονήσεις στη λαβή	Emissão vibratória na empunhadura Trillingsemissie op de handgreep Tutamak üzerinde vibrasyon emisyonları
		<b>&lt;2,5 m/s<sup>2</sup></b> (K= 2 m/s <sup>2</sup> )

**Tipo di punto**  
Type of fastener  
Befestigungsmittel  
Type de rivet  
Τύπος αναλωσίμου  
Tipo de agrafa  
Type nietjes  
Zimba ve çivi tipleri

**34**

0,80x1,90

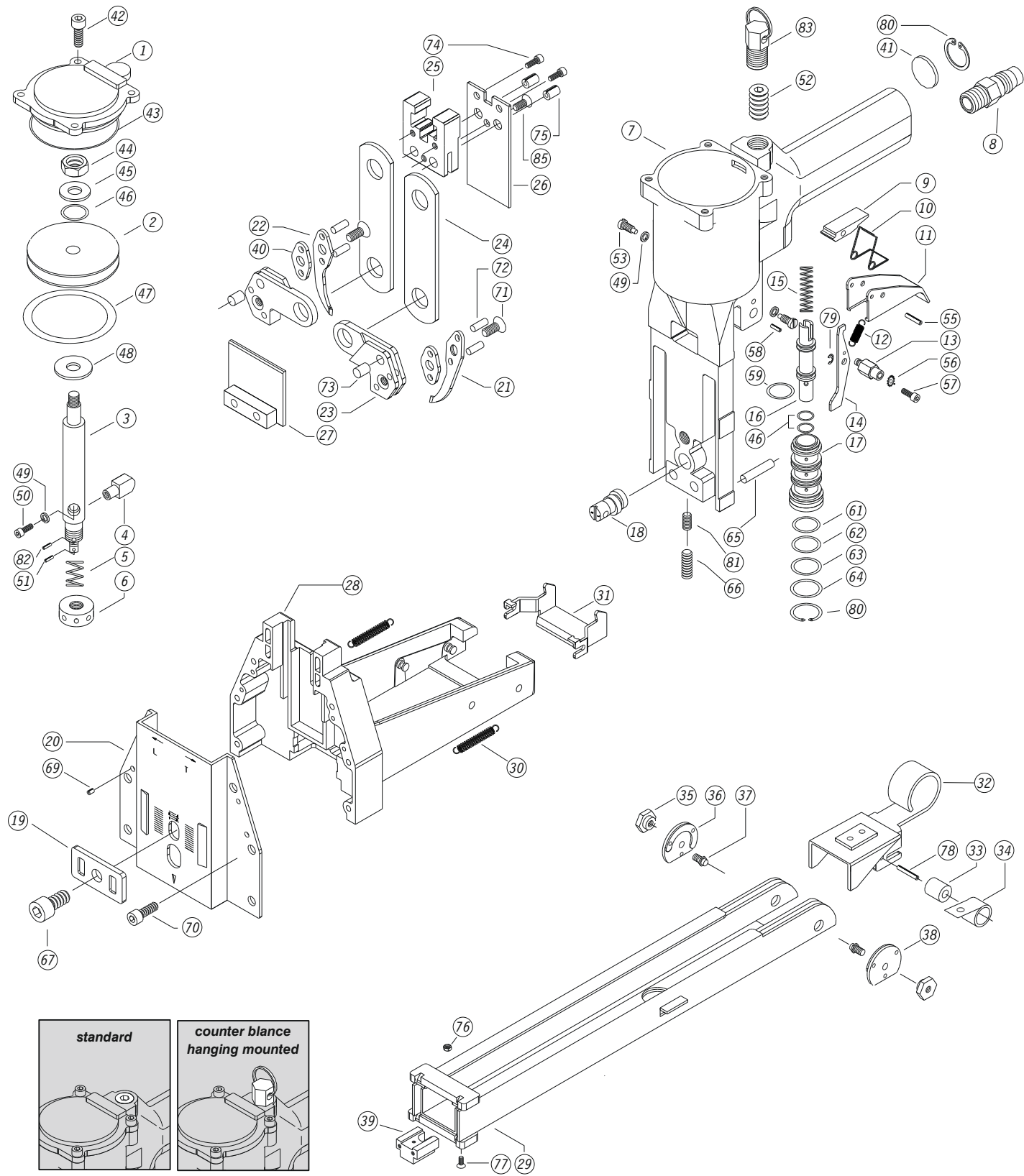


34,5

Crown: 1.358" (1-3/8")  
Gauge: 16,5

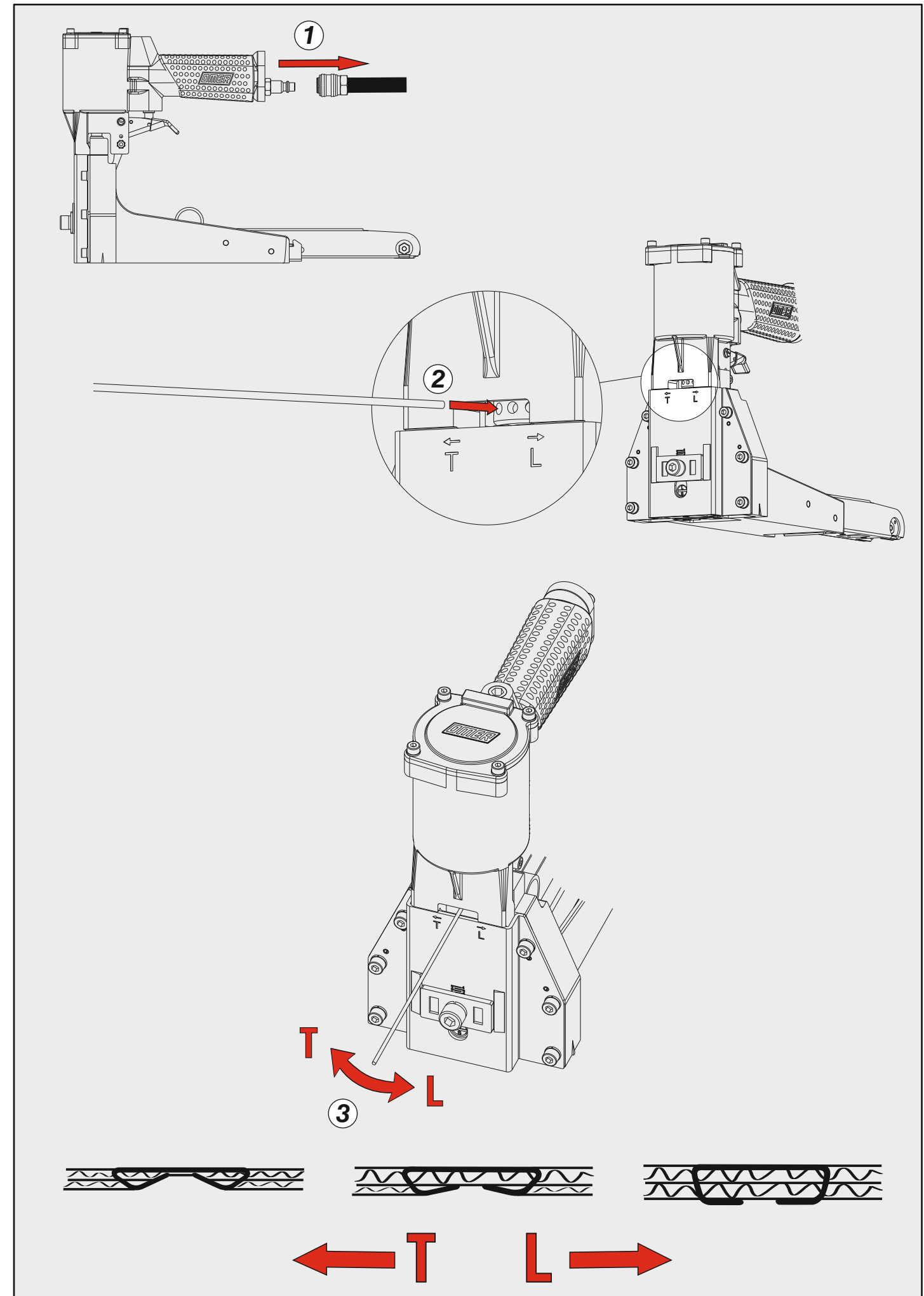
197B18T2\_3418\_2\_rev20\_09/10/2020\_LA

Parti di ricambio - Spare parts - Ersatzteile - Pièces de rechange - Recambios  
 Ανταλλακτικά - Partes sobresselentes - Wisselstukken - Yedek parçalar

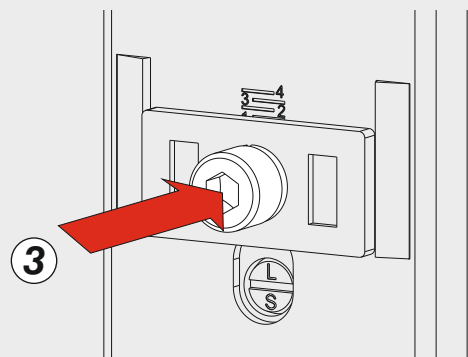
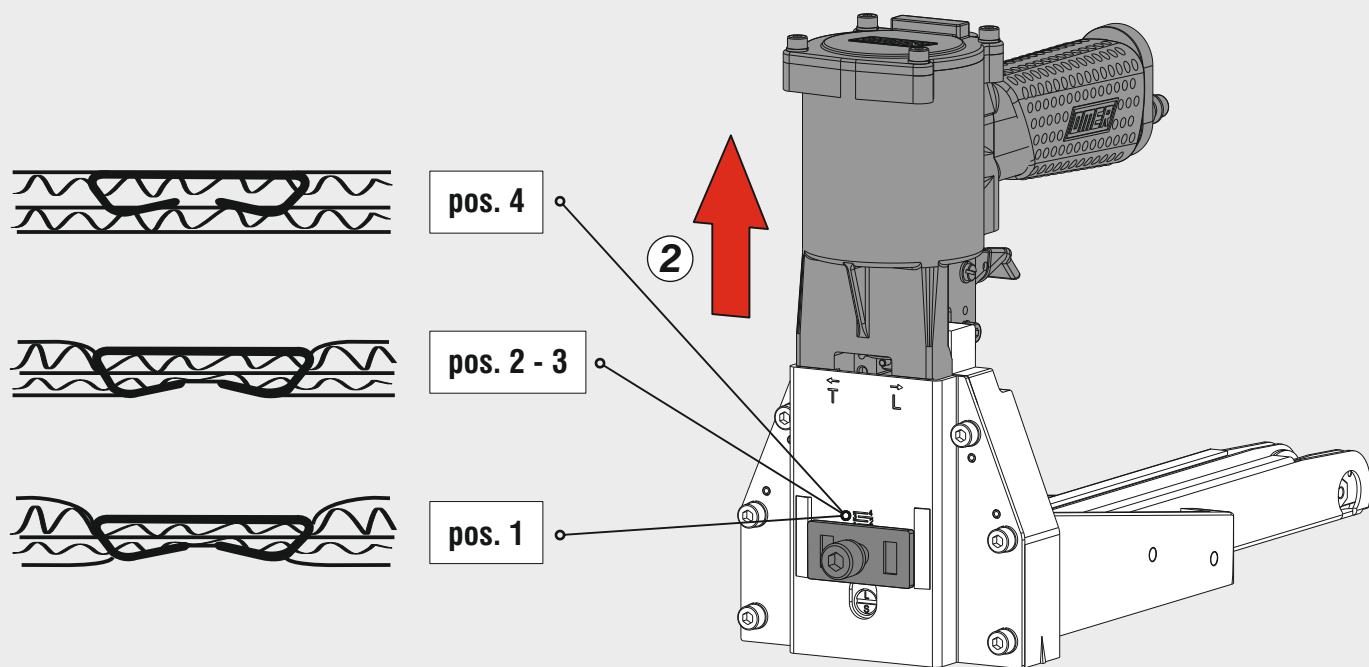
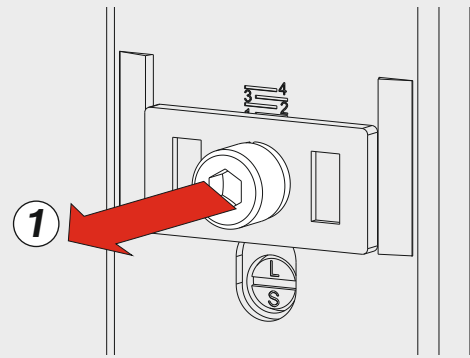
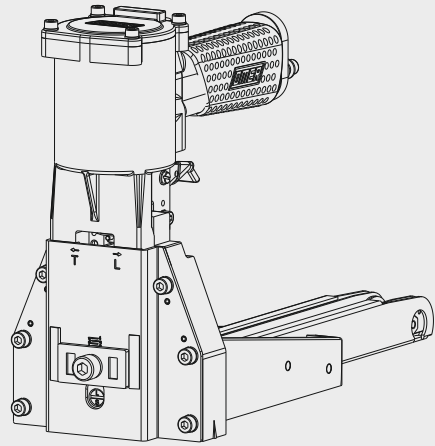


**34.18**  
 cod. 197B18T2

Regolazione della chiusura - *Clinching adjustment*



Regolazione di profondità - Depth adjustment - Tiefeneinstellung - Réglage des dimensions - Réglage des dimensions  
 Ρύθμιση βάθους - Regulação de profundidade - Diepte afstelling - Derinlik ayarı



Ref. No.	Part No.	Description	Ref. No.	Part No.	Description	Ref. No.	Part No.	Description
1	32P501	Cap	30	32M522	Spring	61	35P058	O-Ring
2	35P002N	Piston	31	32M523	Bracket	62	35P059	O-Ring
3	35P003N	Piston Rod	32	34M524	Pusher Unit	63	35P060	O-Ring
4	35P004	Block	33	35P034	Roller	64	35P061	O-Ring
5	35P005	Spring	34	35P033	Spring	65	35P062	Rod
6	35P006	Collar	35	32P535	Rod Nut	66	35P063	Screw
7	35P007N	Body	36	35P037	Right pusher guide	67	35P064	Screw
8	35P008	Air Plug	37	35P032	Rod	68	35P065	Spring Washer
9	35P009	Block	38	35M032	Left pusher guide	69	35P066	Spring Pin
10	35P010	Spring	39	32M531	Bracket	70	32P570	Screw
11	35P011	Trigger	40	35P039	Washer	71	35P069	Screw
12	35P012	Spring	41	32P541	Silencer	72	35P070	Pin
13	35P013	Rod	42	35P040N	Screw	73	35P071	Pin
14	35P014	Trigger's control	43	35P042N	O-Ring	74	35M046N	Screw
15	35P015	Spring	44	35P043	Nut	75	35P072	Spring Pin
16	35P016	Valve	45	35P044	Washer	76	35P076	Lock Nut
17	35P017N	Tube	46	35P045	O-Ring	77	32P577	Screw
18	35P018	Adjusting Rod	47	35P046N	O-Ring	78	32M549	Spring Pin
19	35P019	Adjusting Plate	48	35P047	Washer	79	35P081	E-Ring
20	32P520	Front plate	49	35P041	Spring Washer	80	35P080N	C-Ring
21	35P021	Right jaw	50	35P048	Screw	81	35P084	Heli-Coil
22	35P022	Left jaw	51	35P049	Spring Pin	82	35P085	Plastic Pin
23	35P023	Jaw seat	52	35P050	Screw	83	19B091	Counter Balance Hanger
24	35P024	Plate	53	35P051	Trigger Screw	85	32P585	Screw
25	32P525	Block	55	35P052	Spring Pin	07.25		Hex. Bar wrench
26	34M518	Driver	56	35P053	Teeth Washer	07.30		Hex. Bar wrench
27	35P027	Cover Unit	57	35P054	Screw	07.40		Hex. Bar wrench
28	32M520	Magazine Seat	58	35P066	Spring Pin	D01		Oiler
29	34M521	Magazine	59	35P056	O-Ring	D06		Staple remover

Dotazioni - Equipment - Ausstattung - Outillage - Dotaciones - Εξοπλισμός  
 Dotações - Uitrusting - Donanımlar

