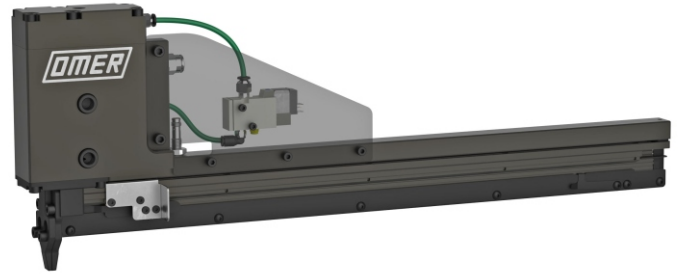




**Manuale d'uso, manutenzione e parti di ricambio**  
**Manual for use, maintenance and spare parts**  
**Bedienungs- und Wartungshandbuch sowie Ersatzteilleiste**  
**Mode d'emploi, de maintenance et pièces de rechange**  
**Manual de uso, mantenimiento y recambios**  
**Εγχειρίδιο χρήσης, συντήρησης και ανταλλακτικών**  
**Manual de uso, manutenção e peças sobresselentes**  
**Handleiding voor gebruik, onderhoud en wisselstukken**  
**Kullanım, bakım ve yedek parça kılavuzu**



# A40-BM.15

cod. 1A400810



## Dati tecnici

Technical data  
Technische Daten

## Caractéristiques techniques

Datos técnicos  
Τεχνικά χαρακτηριστικά

## Dados técnicos

Technische gegevens  
Teknik veriler

<b>Misure impiegabili mm</b> Lengths mm Verwendbare Nagellänge mm	Dimensions utiles mm Medidas de longitud mm Μήκος Αναλωσίμου - mm	Medidas utilizáveis mm Toepasbare afmetingen mm Boy mm	<b>10 - 12 - 15</b>
<b>Capacità caricatore n° punti</b> Magazine capacity Magazinkapazität Nägel	Capacité chargeur n° de points Capacidad cargador n° puntos Δυνατότητα γεμιστερα	Capacidade carregador n° pontos Capaciteit magazijn in aantal spijkers Dergi kapasitesi	<b>420</b>
<b>Pressione d'esercizio</b> Operating pressure Betriebsdruck	Pression d'exercice Presión de servicio Πίεση λειτουργίας	Pressão de serviço Werkdruk Çalışma basıncı	<b>5,5 ÷ 6 bar</b> <b>80 ÷ 90 psi</b>
<b>Consumo aria litri/colpo</b> Air consumption litres/stroke Luftverbrauch Liter/Schuss	Consommation d'air litres/coup Consumo aire litros/golpe Κατανάλωση αέρα - λίτρα/βολή	Consumo ar litros/disparo Luchtverbruik liter/slag Litre/vuruş hava tüketimi	<b>0,18</b>
<b>Peso kg</b> Weight kg Gewicht kg	Poids kg Peso kg Βάρος - kg	Peso kg Gewicht in kg Ağırlık kg	<b>2,34</b>
<b>Dimensioni mm</b> Dimensions mm Abmessungen mm	Dimensions mm Dimensiones mm Διαστάσεις mm	Dimensões mm Afmetingen mm Boyutlar mm	<b>530x53x191</b> (LxWxH)

UNI EN 12549 :2009	UNI EN ISO 3746 :2011	UNI EN ISO 4871 :2009	
<b>Potenza sonora emessa</b> Sound power emitted Emittierte Schalleistung	Puissance sonore émise Potencia sonora emitida Εκπεμπόμενη ηχητική ισχύς	Potência sonora emitida Geëmitteerd geluidsvermogen Çıkan ses gücü (ses desibeli)	<b>86,8 dB(A)</b> (K= 4 dB)

**Tipo di punto**  
Type of fastener  
Befestigungsmittel  
Type de rivet  
Tipo de punto  
Τύπος αναλωσίμου  
Tipo de agrafó  
Type nietjes  
Zimba ve çivi tipleri

## Brads M (ATM)

0,70x0,90

1,4

10 — — 3/8"

12 — — 1/2"

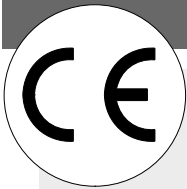
15 — — 5/8"

Head width: .055"  
Gauge: 21

**DO NOT  
HANDHELD  
THIS TOOL**







# Conformity declaration

(Conformity to annex II part 1 section A of Directive 2006/42/EC.)

OMER, having registered offices in Via Foresto, 42 - 31058 ITALIA hereby declares under its own responsibility that the pneumatic stapler to which this booklet refers, and whose model, serial number and year of manufacture are printed on the cover, complies with the essential safety requisites established in the 2006/42/EC

Susegana 04-11-2019

The duly authorised representative 

## INSTRUCTION MANUAL

### FOREWORD

This Instruction Manual and the attached Data Sheet (which forms an integral part of it) have both been drawn up in conformity with EEC guideline 2006/42/EC. Both publications are meant for the user of the tacker and contain information on the use of the machine as intended by the manufacturer; they also supply the necessary technical data for its correct use and the safety rules to be strictly observed by the user of the stapler. The instruction manual is to be considered an integral part of the gun and must be kept in a safe place for future reference for the entire life of the machine.

### INTRODUCTION

In order to assure high reliability, OMER has made a careful choice of the materials and components to be used in the manufacturing process of the tool and has tested it before delivery. Proper performance of the tacker in time also depends on its correct use and on adequate servicing according to the instructions contained in this manual. All of its components, connecting parts and control devices have been designed and implemented with built-in safety to enable them to withstand even unusual stresses, in excess of those set in this manual. The best quality materials have been used and they have been accurately tested on arrival, during storage and while being processed in the workshop for damage, wear or malfunctioning.

### WARNING

This tool is not intended to be held by the operator. It was designed to be mounted onto a structure/frame/bench or to be assembled into a machine. The risks and the safety norms reported in the tool manual are aimed at helping the user assess the risks. It is in fact the user duty to do a thorough assessment of the risks of the machine into which the tool will be fixed and of the whole working environment.

**The following should be remembered at all times:**

- 1) Do not use or service the machine before reading and clearly understanding this Manual and the attached Data Sheet in all their parts.**
- 2) In particular, take all the precautions listed in section A - Safety prescriptions and information.**
- 3) Never use the machine under different conditions or for a different purpose than stated in the manual. OMER spa cannot be held responsible for faults, breakdowns or damage due to failure to observe these rules.**

### Section A

#### General information for a safe use of the stapler

##### A.1 - Working conditions as prescribed by the manufacturer

A compressed air supply system corresponding to the requisites described in section B of this manual must be used. The working pressure must be the one mentioned under TECHNICAL DATA of this manual. The stapler has been designed for clinching metal fasteners on soft materials (paper, cardboard, PVC, plywood, etc.) and it cannot be used on other hard materials such as cement, metals, tiles, etc.). It is always necessary to take all precautions to reduce risks of injury to the operator or to other persons in the working area:

- protect your eyes from dust or danger represented by metal fasteners by using approved safety glasses;
- avoid ear injuries by using head sets.

##### A.2 - Safety measures

◆ Never forget that the stapler can be dangerous, so never play with it. ◆ Do not remove, lock or misuse the safety catch in any way. ◆ Do not allow children or unskilled persons to handle the gun. ◆ Never connect the tacker to other power sources than compressed air. High-pressure gas (propane, acetylene, oxygen, etc.) is highly dangerous and may cause the gun to explode. ◆ Never use the stapler on any other purpose than the one it was meant for. ◆ Never use the tool next to volatile flammable material such as petrol, solvents, paints or gas. ◆ Never supply air to the tacker at a different pressure than indicated in the table on the Data Sheet. ◆ Never drive staples or nails on top of earlier ones. ◆ Do not staple too close to the edge of the object: dangerous chips might fly off. ◆ Do not replace the original service coupling with others which might retain compressed air within the gun after it has been disconnected from the air.

### **A.3 - Disconnection from the supply**

The machine must be disconnected from the compressed air supply system when:

- ◆ the machine is not in use.
- ◆ you must leave your working area unguarded, even just for a few minutes.
- ◆ the stapler is jammed;
- ◆ the stapler needs to undergo servicing or repairs.

## **Section B**

### **Compressed air supply system**

#### **B.1 Foreword**

Peak performance of the staplers and the length of their useful life depend chiefly on the compressed air supply system: a properly sized system built of quality components and subjected to regular maintenance assures the best performance of the connected pneumatic staplers.

#### **B.2 - Design of the compressed air system**

The system must take into account the following factors:

- ◆ The power of the air compressor must meet requirements both with regard to pressure and to the air flow supplied. It should be remembered that a pressure drop takes place along the line due to load losses through chokes, outlets, etc.;
- ◆ the main service line must be of adequate size to cope with the type and number of users connected. Whenever possible, avoid using chokes, elbows or any other means to break the flow which might contribute to pressure drops along the line. The latter must be slightly inclined to drain off any condensation which unavoidably forms;
- ◆ the branch pipe with cock and steam trap must be shaped in such a way as to hinder the passage of condensation from the service line;
- ◆ the regulator unit with cock consists of a combination of filter-steam trap, a pressure regulator with pressure gauge and a microspray lubricator;

**NOTE: To execute the connection to the compressed air mains, so-called quick-connect couplers are used, in which the male adapter must be mounted on the stapler in such a way that no compressed air remains in it after it has been disconnected from the mains.**

#### **B.3 - Servicing**

Check regularly the pressure regulator unit and the oil pressure level in the lubricator for proper operation; if necessary, top up with oil for pneumatic tools. Proper tacker operation largely depends on moving parts being constantly lubricated, which only the microspray lubricator can assure. Drain off the condensation regularly (daily) from the lines and the filter-trap, since it damages the tacker. Clean the regulator unit filter weekly.

## **Section C**

### **Information on the use of the stapler**

#### **C.1 - Tacker performance**

It is important that the machine be used only for the purpose for which it was designed and that it not be tampered with in any way. Before starting to use it, always make sure there is no air leakage, that all parts work properly and especially that the safety system is perfectly efficient. Also make sure that the machine is clean and lubricated.

#### **C.2 - Working pressure**

The tacker must always be supplied at a pressure within the range indicated on the Data Sheet table. A higher pressure than the one suggested by the manufacturer increases the stress to which it is subjected and therefore the wear of some of the components. If on the other hand the pressure used is lower than shown on the table, proper performance cannot be assured. For proper performance and long life, the working pressure of the gun must always be the lowest possible required to assure full penetration of the staple or of the nail; therefore, if after shooting the fastener has not penetrated completely, increase the pressure by 0.5 bar at a time, checking the effect. If the penetration is excessive, reduce the pressure by 0.5 bar at a time until the required degree of penetration is achieved. It is strictly forbidden to supply the gun with high-pressure gas such as oxygen, carbon anhydride or other bottled gases: the gun might explode and cause serious damage and injury.

#### **C.3 - Loading the tool**

It is a safe practice to disconnect the gun from the compressed air line before loading it to rule out any cause for accidents. If the gun is not disconnected from the mains, take the utmost care in handling it since this may cause highly dangerous accidental shooting.

#### **C.4 - Jam-clearing**

If the gun jams, Disconnect the gun from the compressed air line and unload the magazine, clean the head, the magazine and any other parts connected with it. If jamming occurs too often, consult a specialized service centre.

**NOTE: In order to avoid jamming, breakage or early wear, only use staples or nails of the type indicated for each model. OMER staples and nails are of a size and quality that make them ideal for staplers and therefore assure top performance at all times and long life. OMER spa does not answer for damage to the gun due to the use of staples or nails of types not suitable for the model.**

### **Section D**

#### **Information regarding maintenance and repair**

##### **D.1 - Maintenance instructions**

In order to assure the safety and reliability of OMER guns, maintenance and repairs must be carried out by skilled persons and OMER original spare parts must always be used. If you notice any irregularities in the operation of the machine, stop work at once, disconnect it straight away from the compressed air supply and unload the magazine. Do not reconnect the machine to the compressed air line before it is in a perfect state of repair.

##### **D.2 - Routine servicing**

Before connecting the gun to the compressed air system, always check that the trigger and safety catch are perfectly efficient. Never use the machine unless these safety arrangements work to perfection.

If a microspray lubricator on line with the system is not available, add a few drops of special oil for pneumatic tools through the air supply coupling. Never use gasoline, kerosene or detergent oils.

Before starting to work, check the gun for perfect tightness to pressure. If any leakage is noticed, the machine must be checked thoroughly before use.

Every day, after completing work, clean out the magazine with an air jet, all moving parts and any points in the gun where dirt may settle. Do not clean the gun with solvents, as this might damage the paint and some internal parts; do not submerge it in water or other liquids.

##### **D.3 - Inspections and repairs**

Inspect the inside of the gun regularly to check the state of repair of parts subject to wear.

To do so, unscrew the head screws with the hex spanner supplied, open the gun and remove the different components.

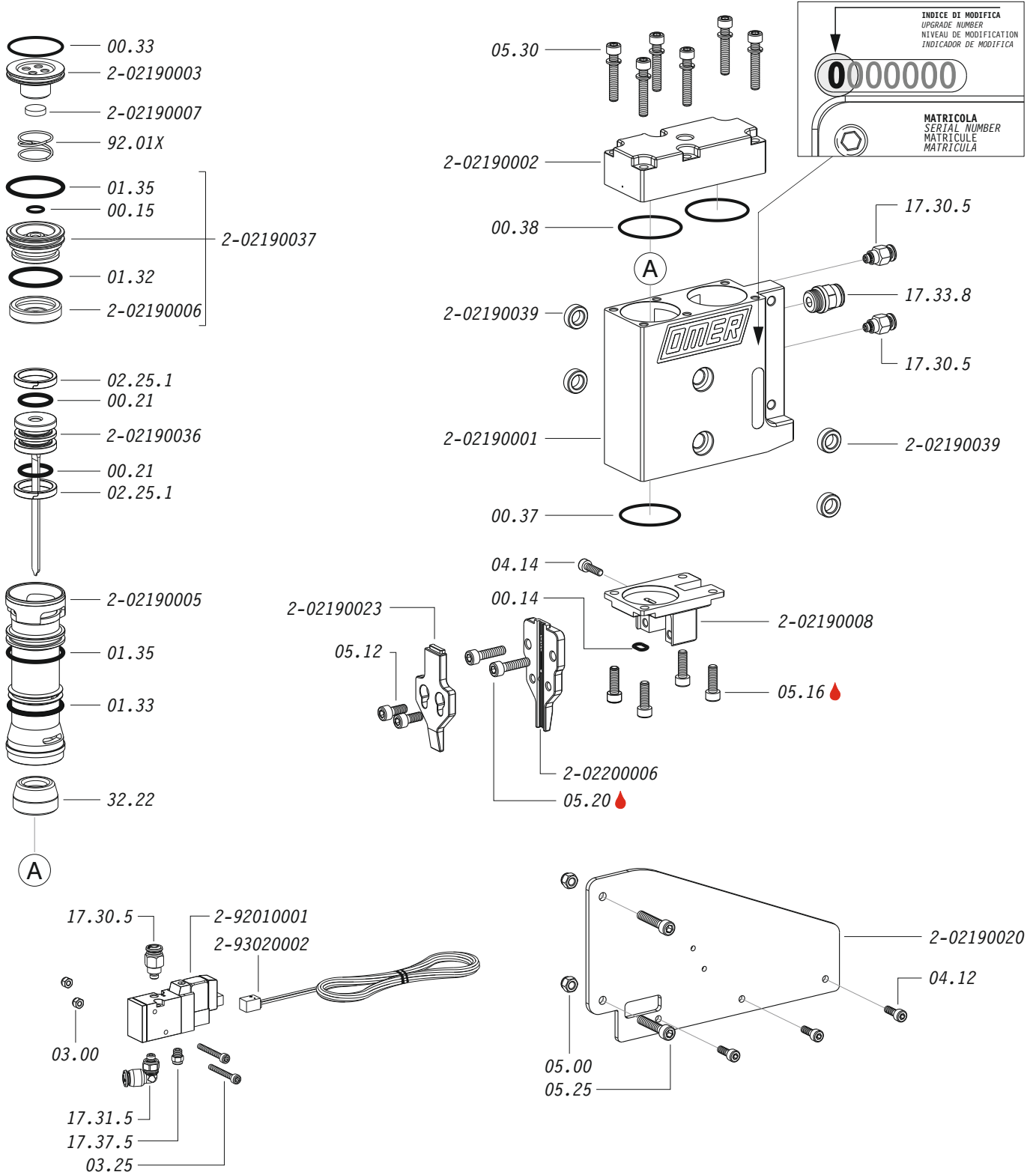
Check carefully the state of wear of the O-rings and of the rubber parts. Replace the worn parts with OMER original spare parts. Lubricate the O-rings and moving parts with a fine film of special grease for pneumatic tools. Wash the bronze silencer - if provided - by dipping it into a solvent for a few minutes and then blasting it dry with a jet of compressed air.

Check the state of the shock absorber: if it shows signs of wear or failure, it needs replacing. This is very important for the safety of the gun and therefore for operator protection as well. Finally check the state of wear of the end of the back plate. If it is replaced and is of the threaded type, screw the replacement onto the piston using a medium strong thread braking liquid. On some models there is a servovalve inside the head, fitted in its seat; if you need to remove it, check the position of the reference notches cut in the brass bush and the head. When you put back the servovalve bush, make sure that its notch is aligned with the one grooved into the head. Never wash the O-rings and other rubber parts with solvents, gasoline, kerosene, etc.

## **GUARANTEE**

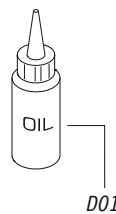
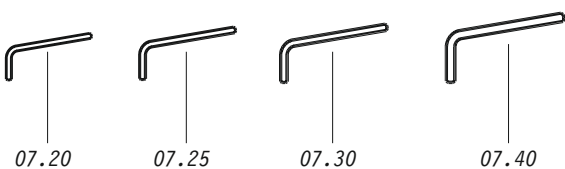
**OMER spa** undertakes to replace free of charge any parts which its engineers acknowledge to be faulty due to manufacturing or material defects, during the life of the machine. The guarantee does not cover any components subject to normal wear and tear during operation (shock absorber, back plate, etc.). This guarantee is void if malfunction or breakage are due not to manufacturing faults but to an improper use of the tool, not in conformity with the manufacturer's instructions. Freight charges are always at the buyer's expense.

Parti di ricambio - Spare parts - Ersatzteile - Pièces de rechange - Recambios  
Ανταλλακτικά - Partes sobresselentes - Wisselstukken - Yedek parçalar



 **Apply Loctite 243**

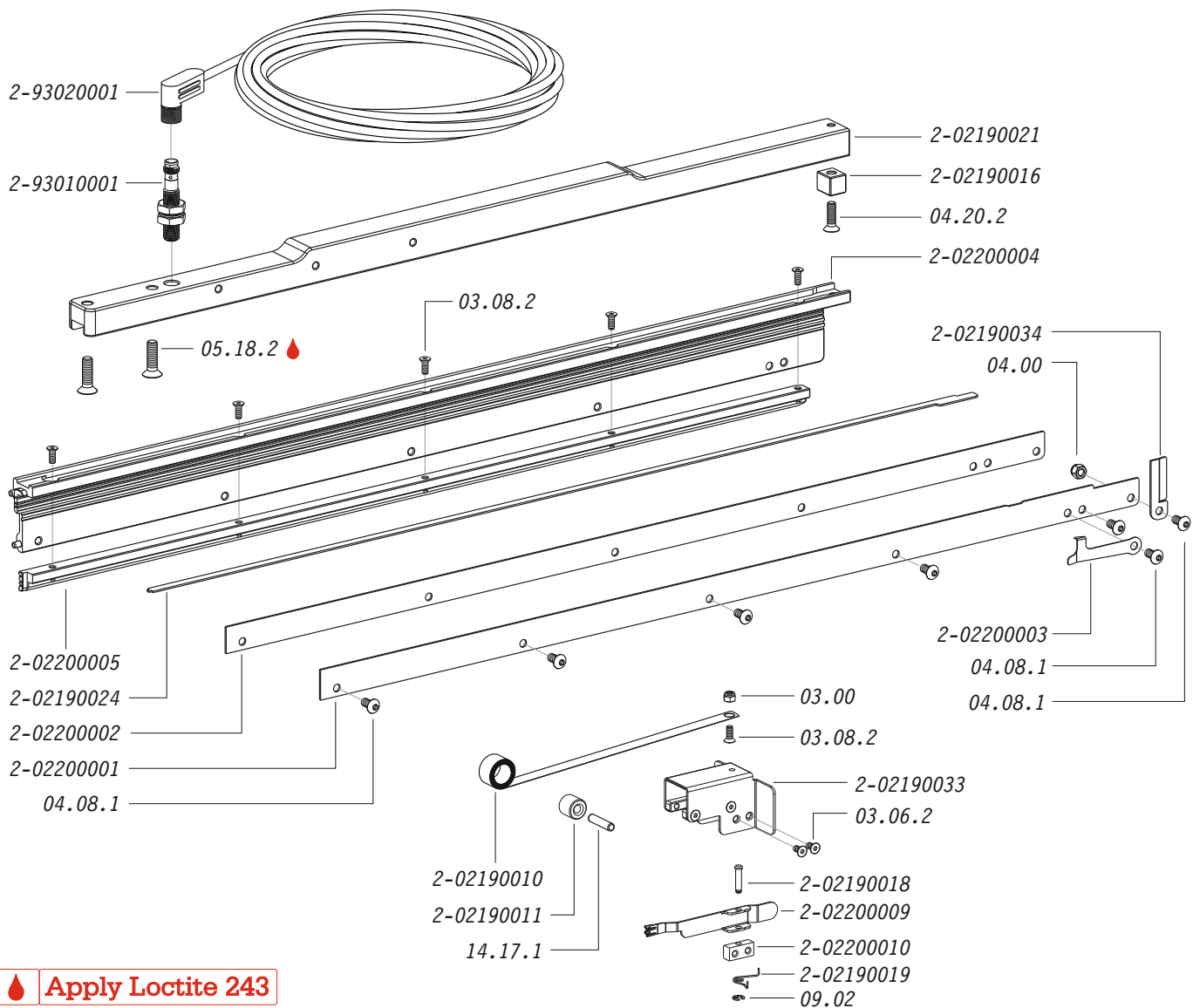
Dotazioni - Equipment - Ausstattung - Outillage - Dotaciones - Εξοπλισμός  
Dotações - Uitrusting - Donanımlar



**A40-BM.15**

cod. 1A400810

Parti di ricambio - Spare parts - Ersatzteile - Pièces de rechange - Recambios  
Ανταλλακτικά - Partes sobresselentes - Wisselstukken - Yedek parçalar



 **Apply Loctite 243**

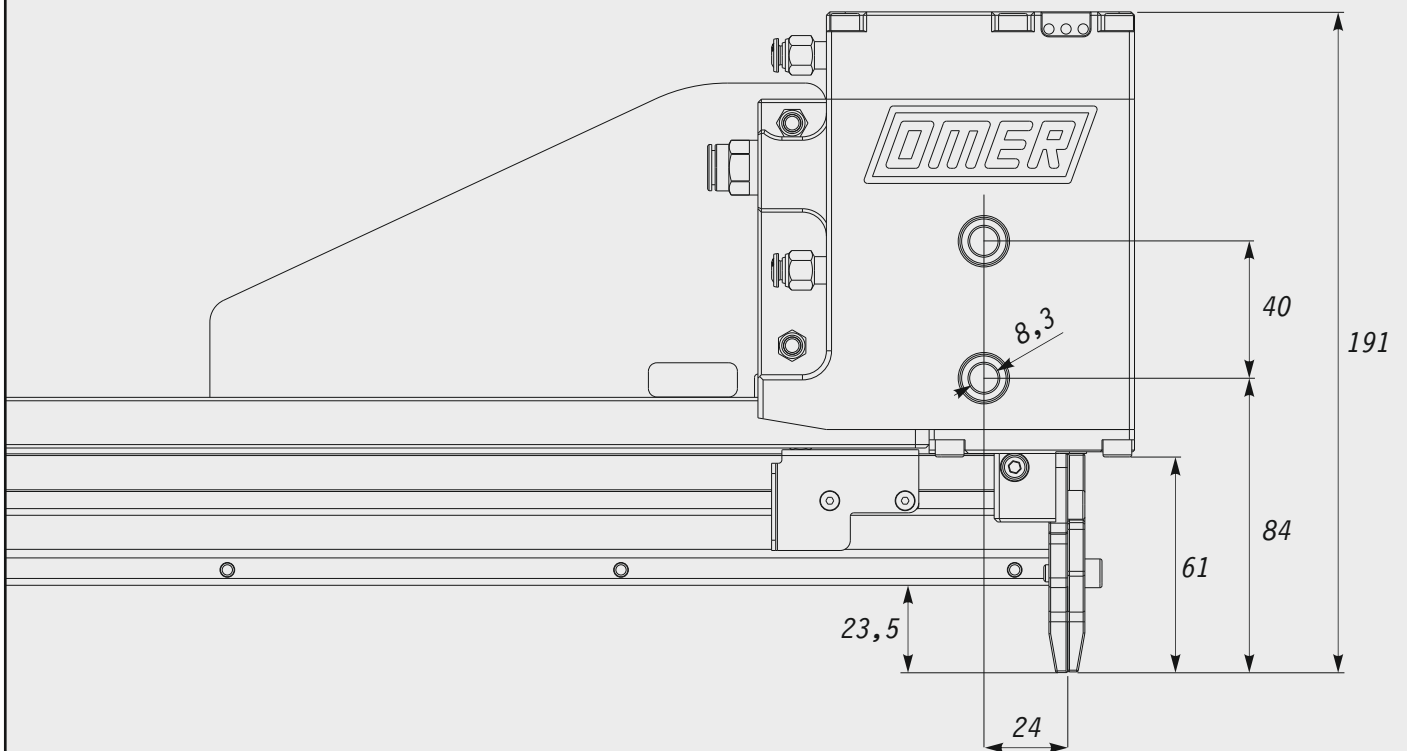
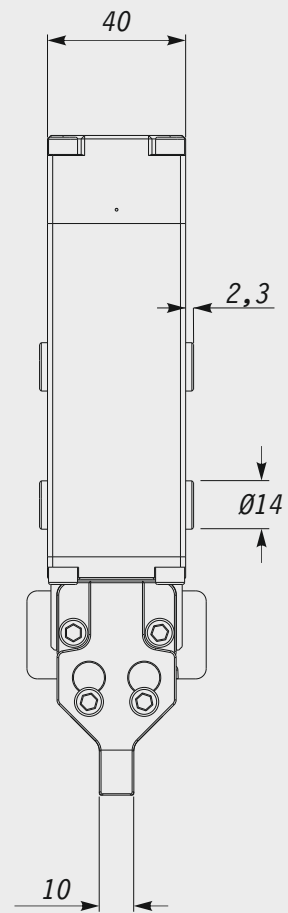
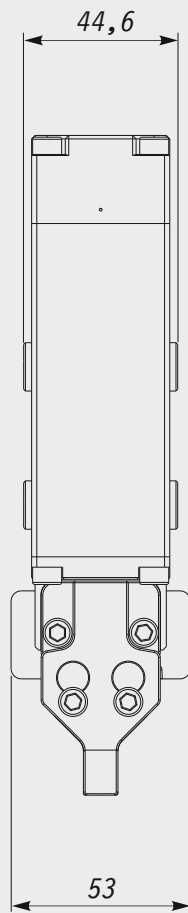
Cod.	Descrizione	Description	Cod.	Descrizione	Description	Cod.	Descrizione	Description
00.14	O-Ring	O-Ring	05.25	Vite	Screw	2-02190018	Perno	Pin
00.15	O-Ring	O-Ring	05.30	Vite	Screw	2-02190019	Molla	Spring
00.21	O-Ring	O-Ring	07.20	Chiave esagonale	Hex. bar wrench	2-02190020	Piastra	Plate
00.33	O-Ring	O-Ring	07.25	Chiave esagonale	Hex. bar wrench	2-02190021	Guida superiore	Upper Guide
00.37	O-Ring	O-Ring	07.30	Chiave esagonale	Hex. bar wrench	2-02190023	Testina	Nose plate
00.38	O-Ring	O-Ring	07.40	Chiave esagonale	Hex. bar wrench	2-02190024	Distanziale	Spacer
01.32	O-Ring	O-Ring	09.02	Anello elastico	Elastic ring	2-02190033	Guida spingipunto	Pusher Guide
01.33	O-Ring	O-Ring	14.17.1	Spina	Pin	2-02190034	Fermo	Stopper
01.35	O-Ring	O-Ring	17.30.5	Racc. "D" Ø4	Conn. "Str." Ø4	2-02190036	Battente	Driver
02.25.1	Guarnizione	Gasket	17.31.5	Racc. "L" Ø4	Conn. "L" Ø4	2-02190037	Valvola completa	Valve ass'y
03.00	Dado	Nut	17.33.8	Racc. "D" Ø8	Conn. "Str." Ø8	2-02190039	Boccola	Bushing
03.06.2	Vite	Screw	17.37.5	Silenziatore	Silencer	2-02290001	Distanziale	Spacer
03.08.2	Vite	Screw	32.22	Ammortizzatore	Bumper	2-02290002	Distanziale	Spacer
03.25	Vite	Screw	92.01X	Molla	Spring	2-02220003	Fermo	Stopper
04.00	Dado	Nut	D01	Bocchetta olio	Oiler	2-02220004	Guida Sx	Left Guide
04.08.1	Vite	Screw	2-02190001	Corpo	Body	2-02220005	Guida Dx	Right Guide
04.12	Vite	Screw	2-02190002	Testa	Head	2-02220006	Controtestina	Nose
04.14	Vite	Screw	2-02190003	Anello valvola	Ring	2-02220009	Spingipunto	Pusher
04.20.2	Vite	Screw	2-02190005	Cilindro	Cylinder	2-02220010	Tassello	Plate
05.00	Dado	Nut	2-02190007	Guarnizione	Gasket	2-92010001	Elettrovalvola	Solenoid valve
05.12	Vite	Screw	2-02190008	Flangia	Flange	2-93010001	Sensore	Sensor
05.16	Vite	Screw	2-02190010	Molla	Spring	2-93020001	Cavo	Cable
05.18.2	Vite	Screw	2-02190011	Rullo molla	Spring's Roll	2-93020002	Cavo	Cable
05.20	Vite	Screw	2-02190016	Distanziale	Spacer			

**A40-BM.15**

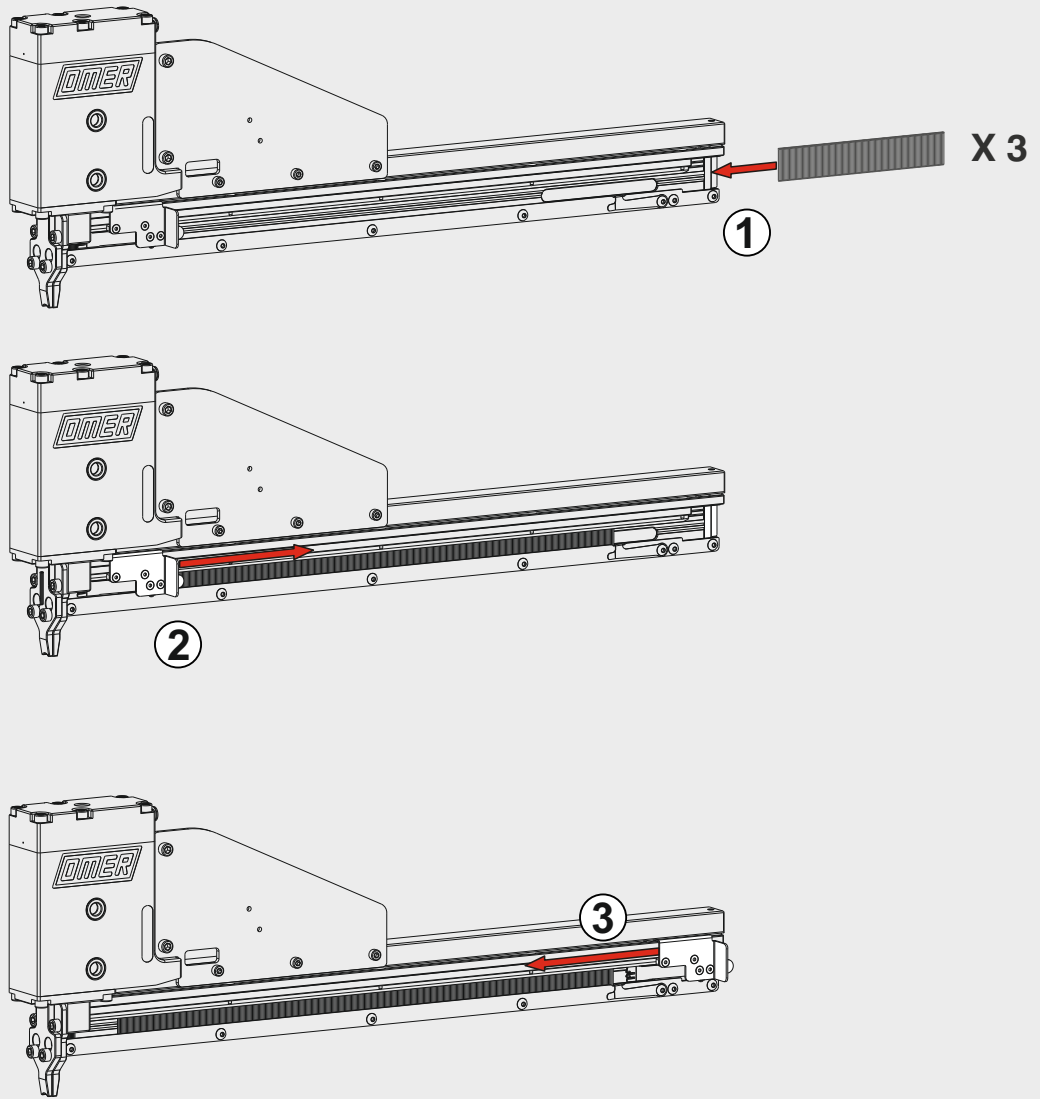
cod. 1A400810

Indice di modifica  
Upgrade number

**0**

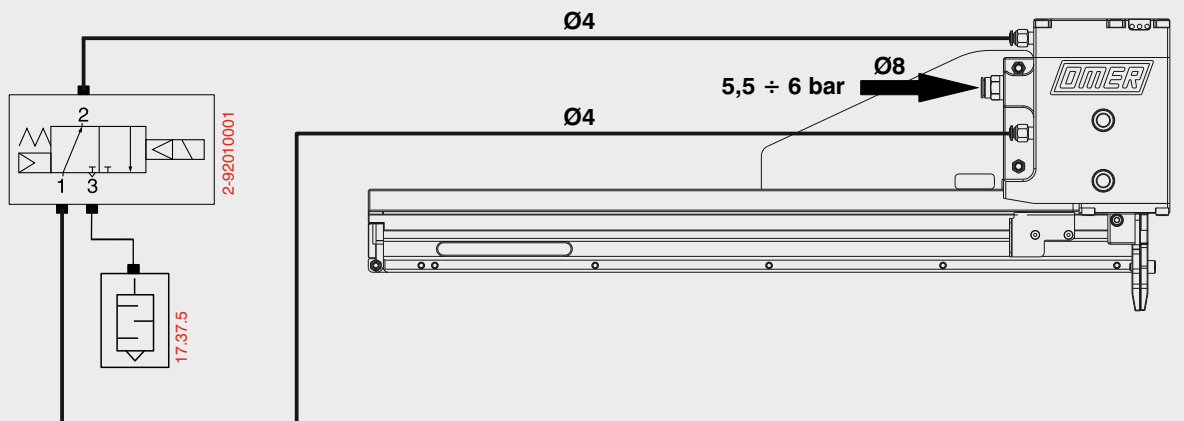




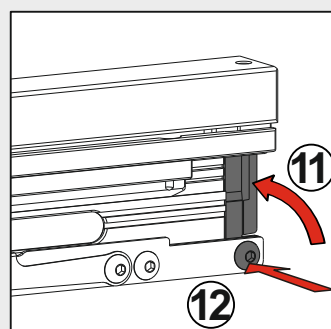
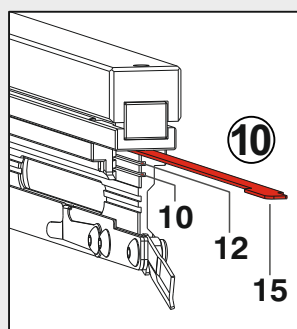
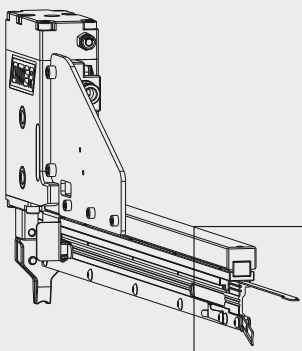
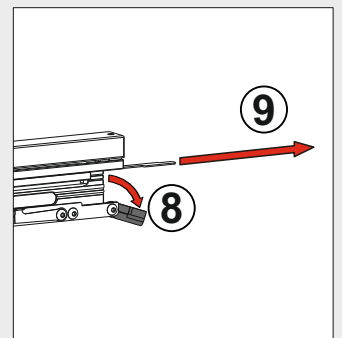
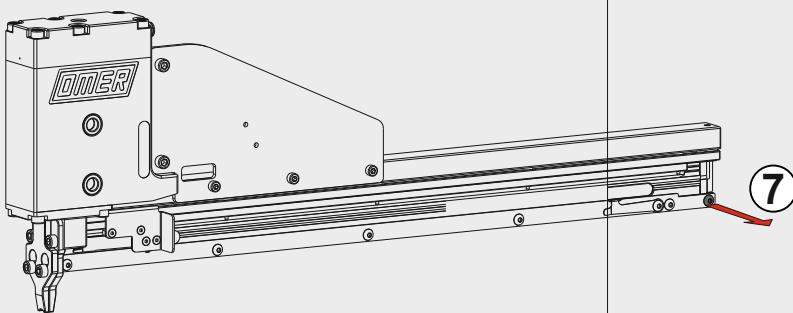
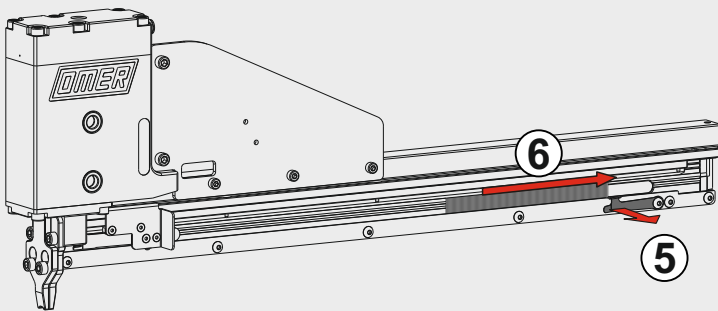
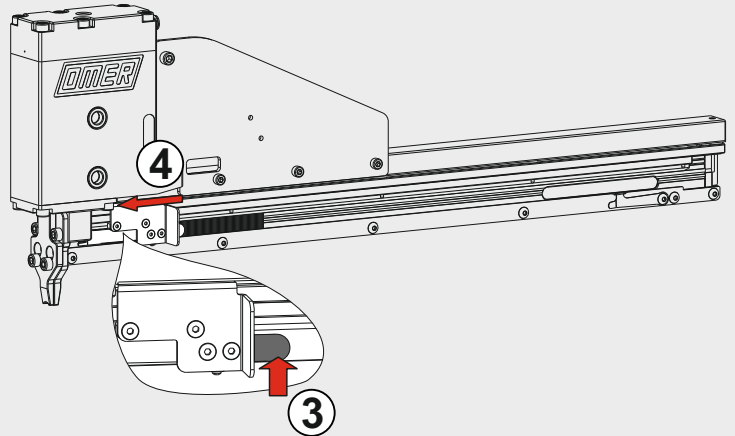
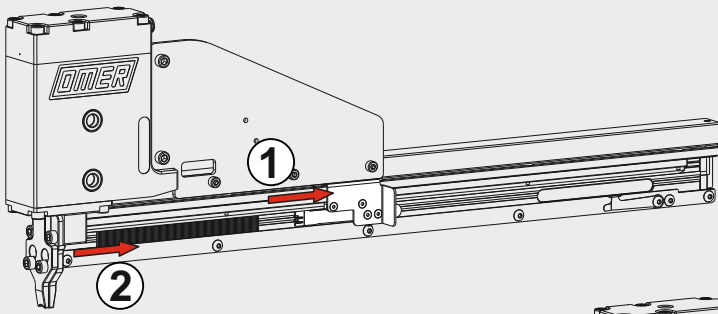


Schema pneumatico - Pneumatic diagram

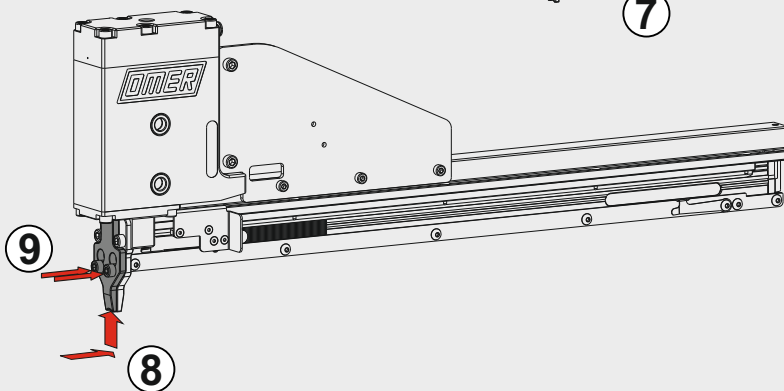
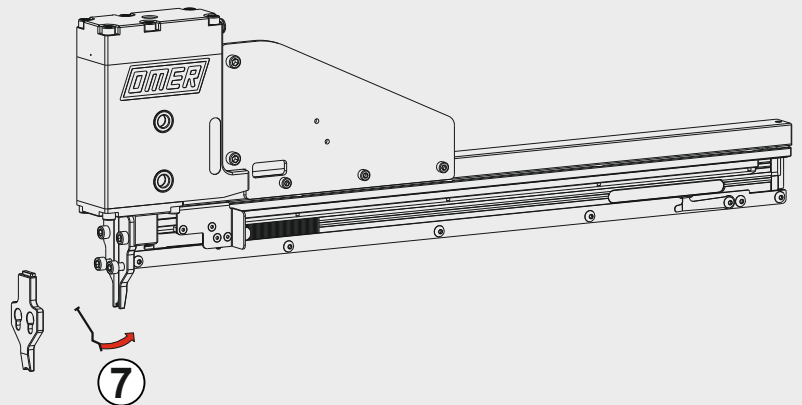
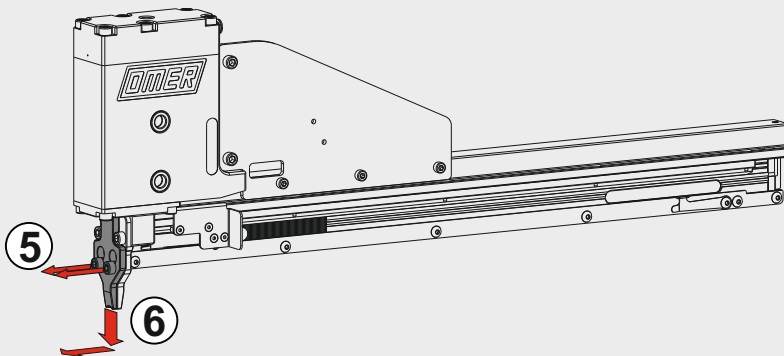
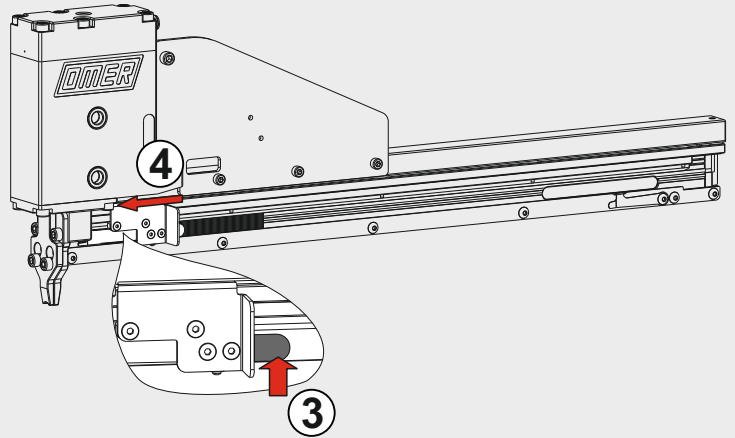
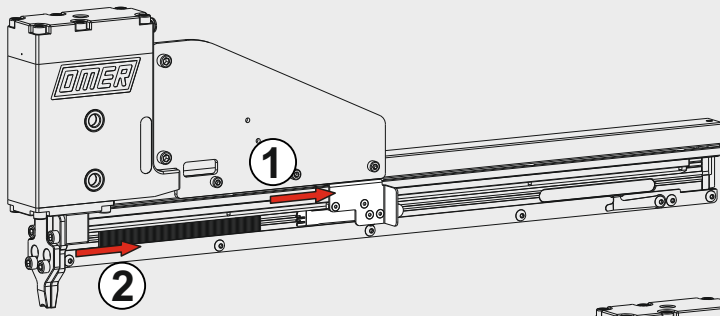
valvola 3/2 NA  
valve 3/2 NA

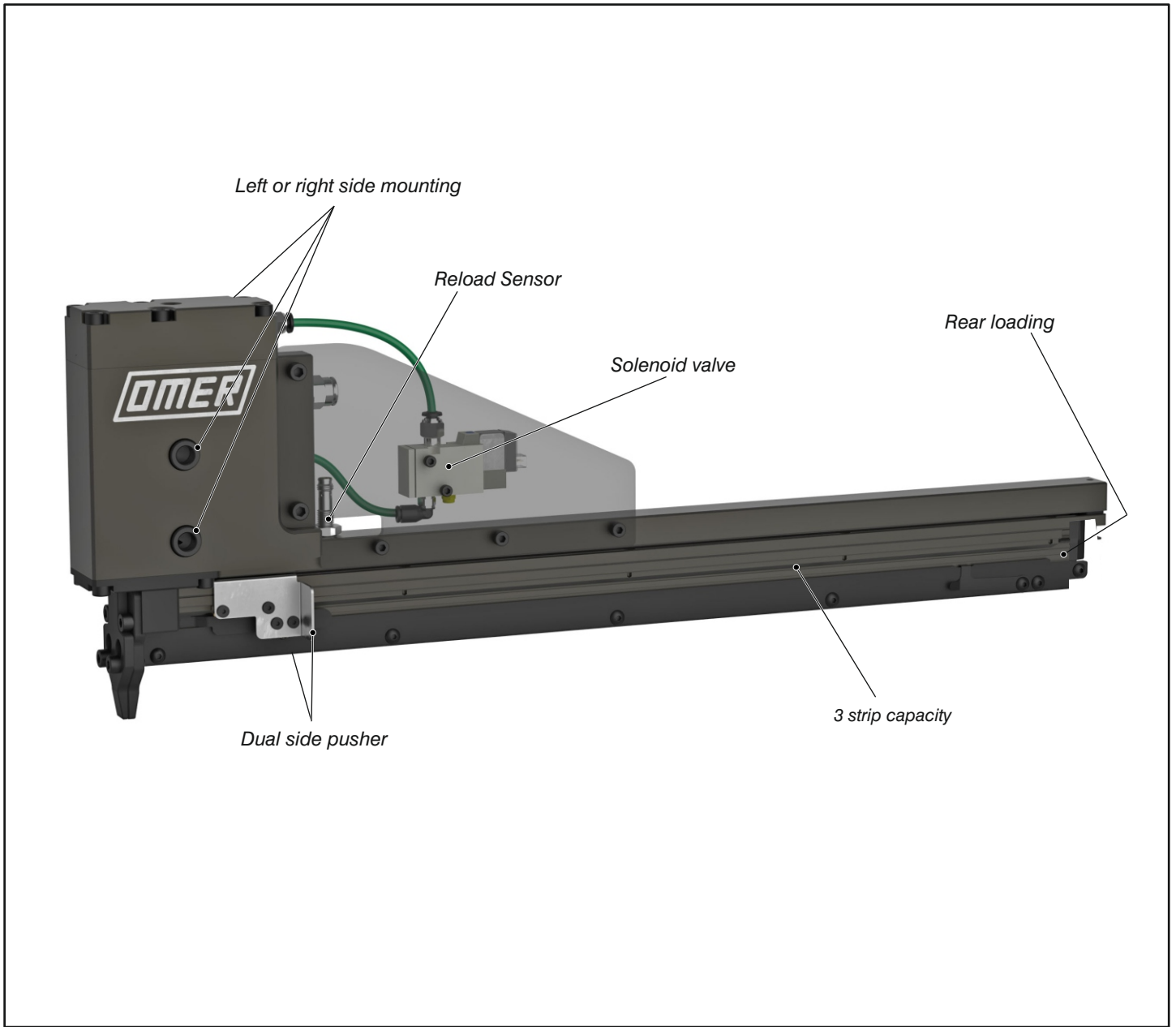


Regolazione misura - Length adjustment - Längeneinstellung - Réglage des dimensions  
Regulación de la medida - Ρύθμιση μήκους - Regulação medida - Lengte-afstelling - Boy ayarı

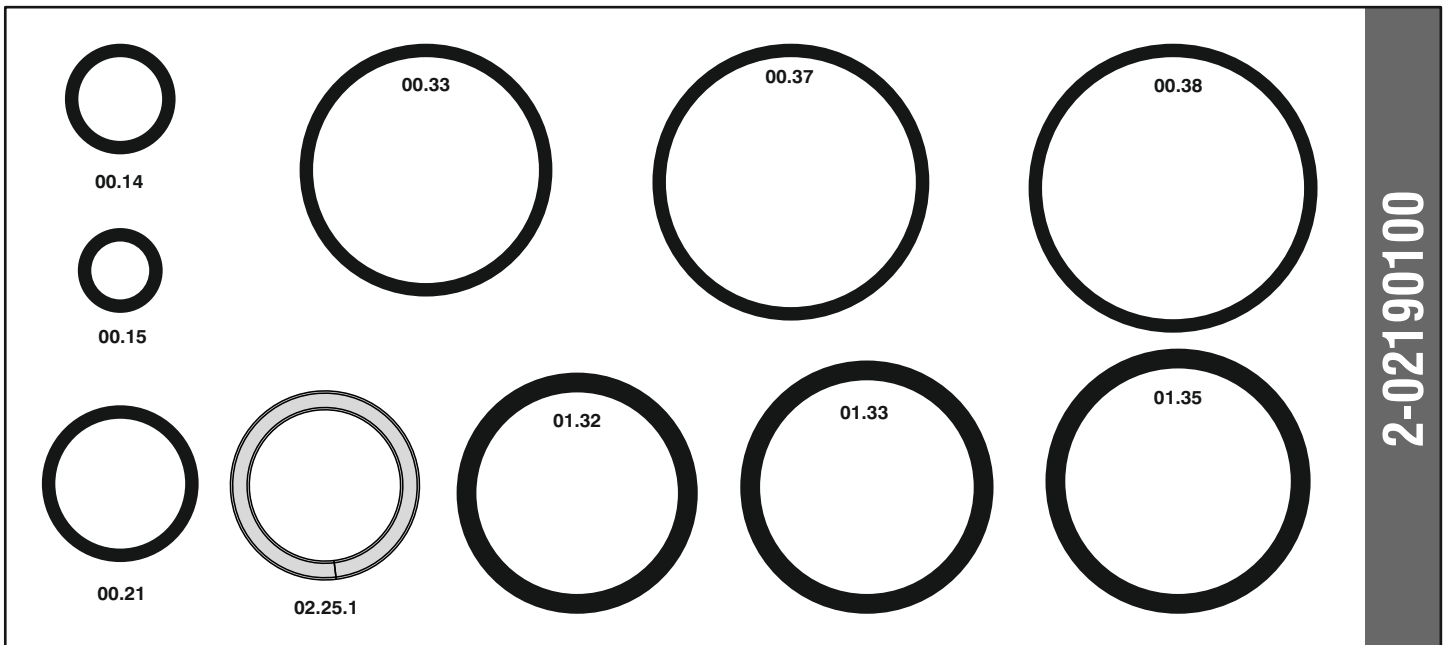


Disincemento - Jam clearing - Staubeseitigung - Décoincement - Desatascamiento - Απεμπλοκή  
Desencravamento - Deblokkering bij vastlopen - Sikişma giderme





Guarnizioni - O-Rings - Dichtungen - Joints toriques - Juntas  
Δακτύλιος στεγανοποίησης - Vedantes - O-rings - Contalar



2-02190100